



# INSTALLATION INSTRUCTIONS

## **Built-In Steam Oven**

ZMB9032, ZMB9031

Para consultar una version en español  
de este manual de instrucciones, visite nuestro  
sitio de internet [monogram.com](http://monogram.com).

# Safety Information

## BEFORE YOU BEGIN

Read these instructions completely and carefully.

- **IMPORTANT** — Save these instructions for local inspector's use.
- **IMPORTANT** — Observe all governing codes and ordinances.
- **Note to Installer** – Be sure to leave these instructions with Consumer.
- **Note to Consumer** – Keep these instructions for future reference.
- **Skill level** – Installation of this appliance requires a qualified installer or electrician.
- Proper installation is the responsibility of the installer.
- Product failure due to improper installation is not covered under Warranty.
- Product is for indoor use only.

**ATTENTION INSTALLER:** All electric wall ovens must be hard-wired (direct-wired) into an approved junction box. A plug and receptacle is NOT permitted on these products.

## FOR YOUR SAFETY:

### **▲ WARNING**

Before beginning the installation, switch power off at the service panel and lock the service disconnecting means to prevent power from being switched on accidentally. When the service disconnecting means cannot be locked, securely fasten a prominent warning device, such as a tag, to the service panel.

Be sure the oven is securely installed in a cabinet that is firmly attached to the house structure. Weight on the oven door could cause the oven to tip and result in injury. Never allow anyone to climb, sit, stand or hang on the oven door.

Make sure the wall coverings, counters and cabinets around the oven can withstand the heat (up to 200°F [93.3°C]) generated by the oven.

## CONTENTS

<b>Safety Information</b> .....	2
<b>Installation Instructions</b>	
Step 1, Remove Packaging and Parts.....	3
Step 2, Prepare the Opening.....	3
Step 3, Door Removal.....	9
Step 4, Electrical Requirements.....	9
Step 5, Make Electrical Connections.....	10
Step 6, Three-Conductor Branch Circuit Connection.....	11
Step 7, Four Conductor Branch Circuit Connection.....	11
Step 8, Slide Oven into Opening.....	12
Step 9, Install Mounting Screws.....	12
Step 10, Replacing the Oven Door.....	13
Step 11, Final Installation Checklist.....	13

## MODELS AVAILABLE

### **Pro Models:**

ZMB9031 - Stainless Steel

### **Min Models:**

ZMB9032 - Stainless Steel

# Installation Instructions

## MATERIALS YOU MAY NEED

Junction Box  
Wire Nuts  
Strain Relief Clamp for 1/2" Conduit  
36" (91 cm) of String

## TOOLS YOU MAY NEED

1/8" Drill Bit and Electric or Hand Drill  
Phillips Screwdriver  
Wire Strippers

## DESIGN INFORMATION

### STEAM OVEN INSTALLATIONS

The steam oven may be installed in a cabinet alone or above a warming drawer, single wall oven, or below another steam oven or speedcook oven. The steam oven may also be installed side by side, below a countertop, or below specified cooktops. See the label on the outside of the oven for approved models.

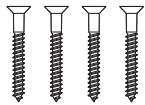
**IMPORTANT:** Always refer to individual installation instructions packed with each product for specific requirements.

## 1 REMOVE PACKAGING MATERIALS AND PARTS

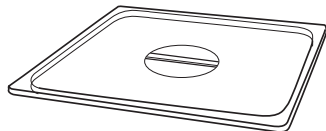
Failure to remove packaging materials could result in damage to the appliance. Remove all packing parts from oven, racks and heating elements. Remove protective film and labels on the outer door and control panel. Open oven door and remove literature pack and reservoir, cookware, meat probe, and oven racks. Locate parts package containing mounting screws.



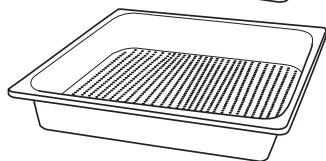
4 Mounting Washers



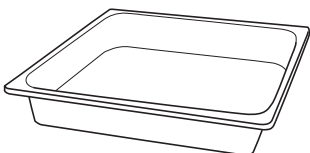
4 Mounting Screws



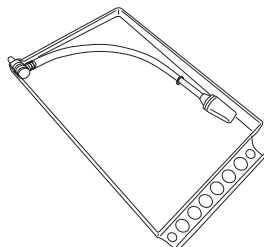
Perforated Pan with Lid



Solid Pan



Oven Rack



Reservoir with Inlet Tube

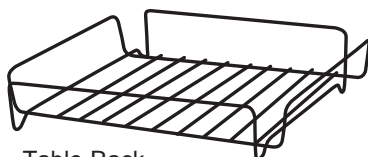


Table Rack



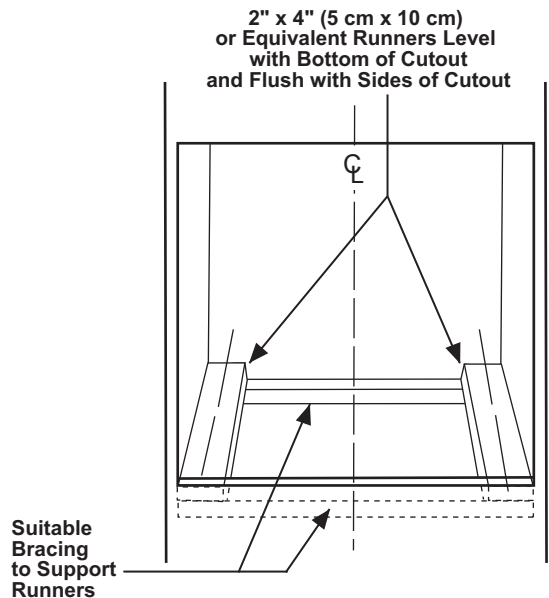
Small Pans with Lids (Set of 6)

## 2 PREPARE THE OPENING

**NOTE:** If the cabinet does not have a solid bottom, two braces or runners must be installed to support the weight of the oven. For steam ovens, the runners and braces must support 170 lbs (78 kg).

**NOTE:** If marks, blemishes or the cutout opening are visible above the installed oven, it may be necessary to add wood shims under the runners until the marks or opening are covered.

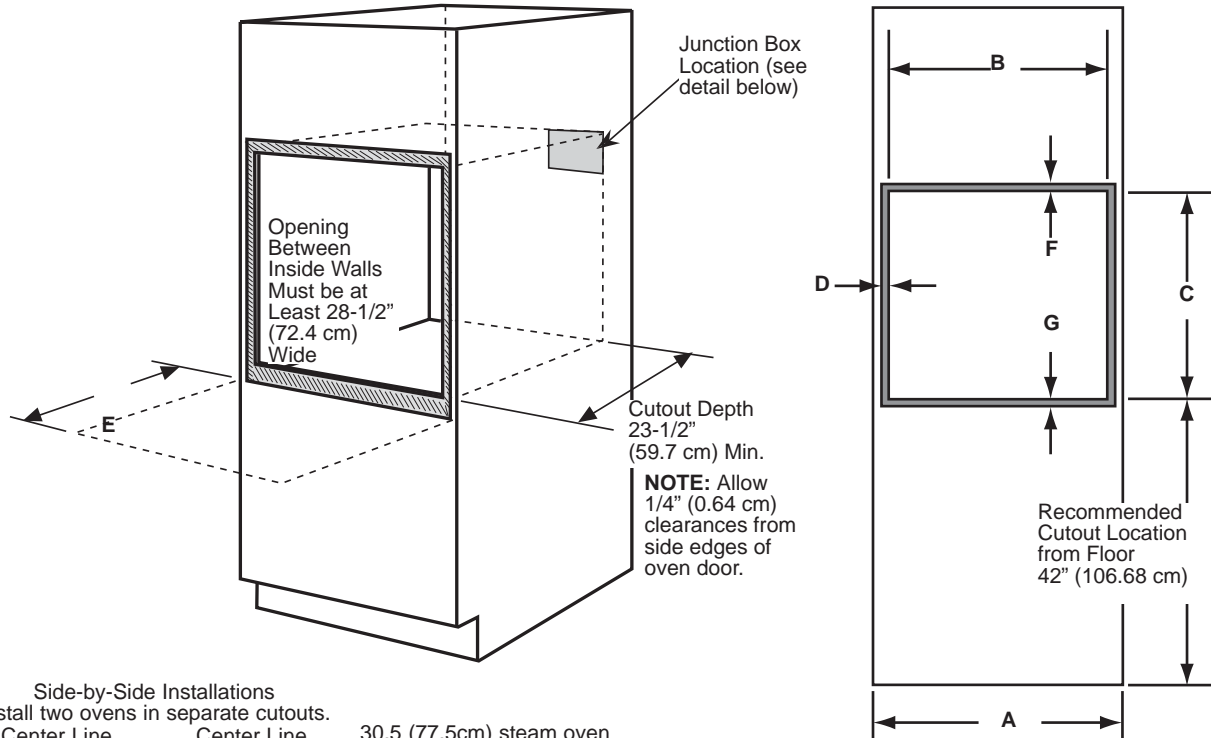
**NOTE:** If the cabinet does not have a front frame and the sides are less than 3/4" (1.9 cm) thick, shim both sides equally to establish the cutout width.



# Installation Instructions

## 2 A CUTOUT FOR STEAM OVENS IN WALL CABINET

**NOTE:** If the cabinet does not have a front frame and the sides are less than 3/4" (1.9 cm) thick, shim both sides equally to establish the cutout width.

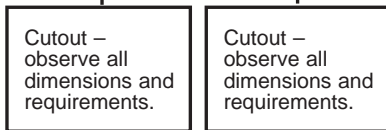


**Side-by-Side Installations**  
Install two ovens in separate cutouts.

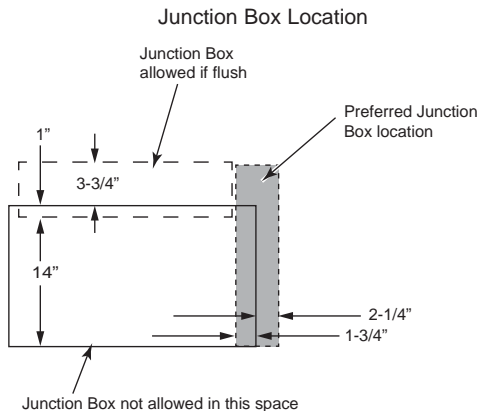
Center Line      Center Line

30.5 (77.5cm) steam oven next to another steam oven, 30" single oven, or 30" single double wall oven

42-1/2" (108 cm) next to French Door models



5 1/8" (13 cm) Min (steam oven by steam oven)  
3 5/8" (9.2 cm) Min (steam oven by wall oven)  
15 5/8" (14.29 cm) Min (steam oven by French door oven)



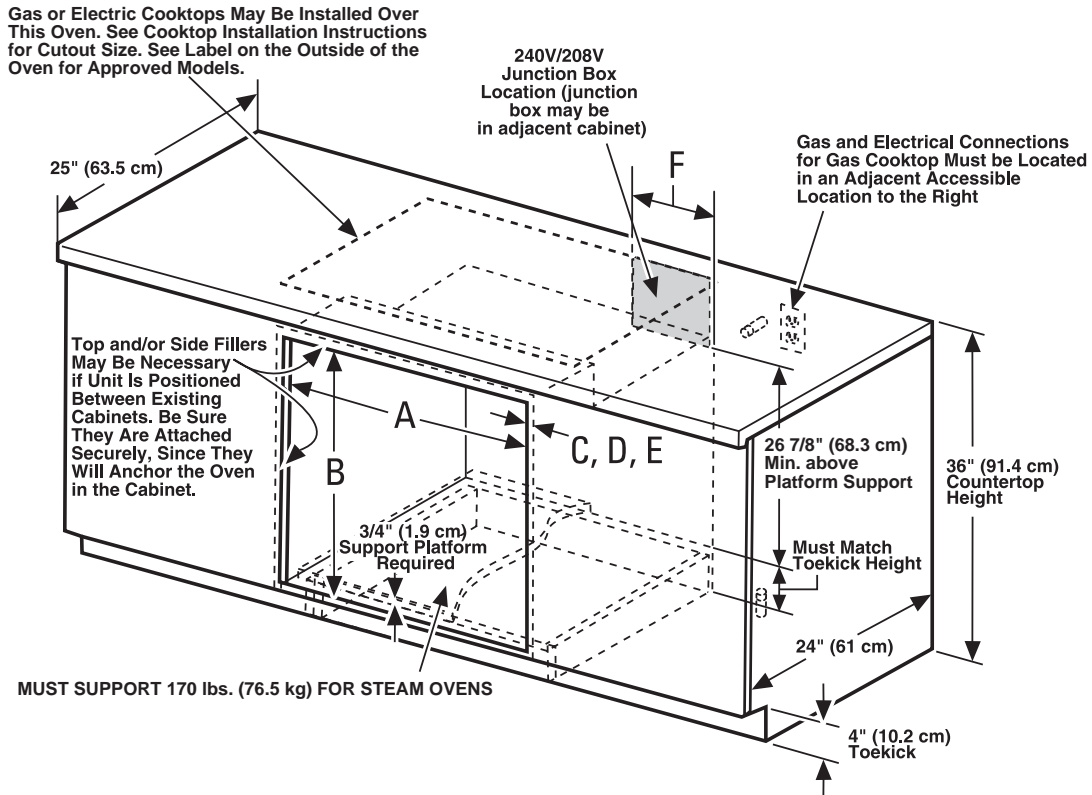
Dimension	Dimension Description	30" Steam Oven
A	Cabinet Width	30" (76.2 cm)
B	Cutout Width	25-1/4" (64.1 cm) min. 25-3/4" (65.4 cm) max.
C	Cutout Height	17-1/2" (44.4 cm) min. 17-3/4" (45.1 cm) max.
D	Clearance from cutout - side edges*	2-1/4" (5.7 cm)
E	Clearance to Adjacent Corners, Drawers, Walls, etc., When Door Is Open	13" (33 cm) min.
F	Clearance from cutout - top*	1" (2.5 cm) min.
G	Clearance from cutout - bottom*	3/4" (1.9 cm)
H	Junction Box Location	see detail right side preferred

\* Refers to minimum clearance required for wall oven installation and does not reflect actual product dimensions.

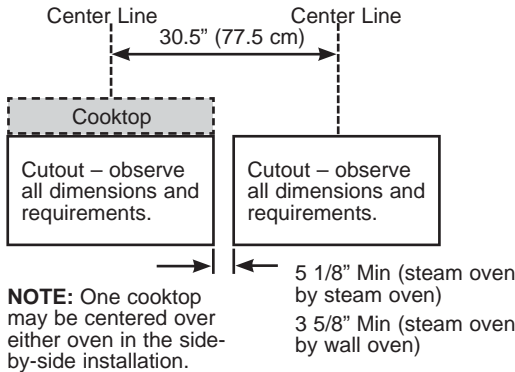
# Installation Instructions

## 2 B CUTOUT FOR STEAM OVENS - UNDER COUNTER

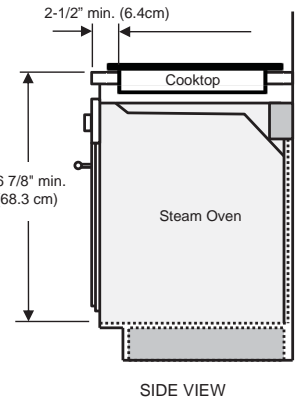
**NOTE:** These ovens are only approved to be installed under the specific models as labeled on the unit.



Side-by-Side Installations  
Install two ovens in separate cutouts.



**IMPORTANT:** Maintain a minimum distance of 26 7/8" (68.3 cm) from the top surface of the countertop to the steam oven platform to ensure that the cooktop and steam oven do not interfere with each other (see picture).



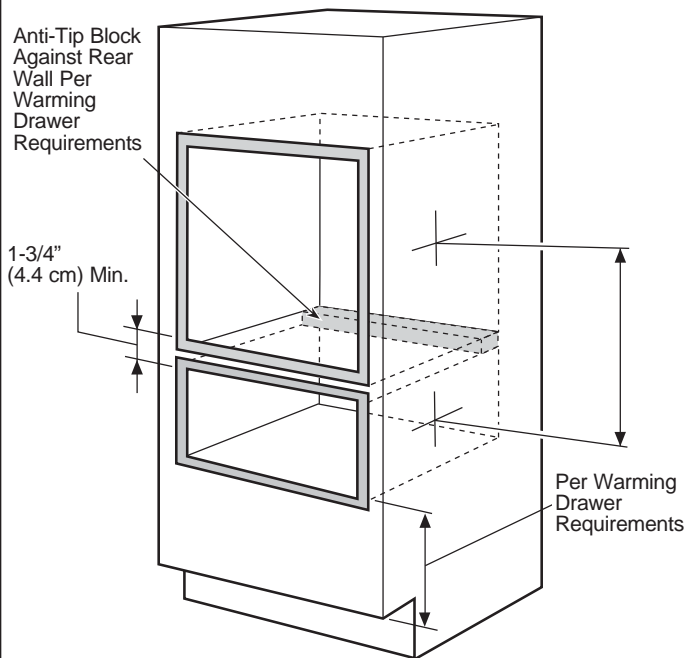
# Installation Instructions

## 2 C CUTOUT FOR STEAM OVEN OVER A WARMING DRAWER

**NOTE:** Install the steam oven only with specific models listed on the label located on the outside of the oven.

**NOTE:** Additional clearances between cutouts may be required. Check to be sure the steam oven supports above the Warming Drawer location do not obstruct the required interior depth and height.

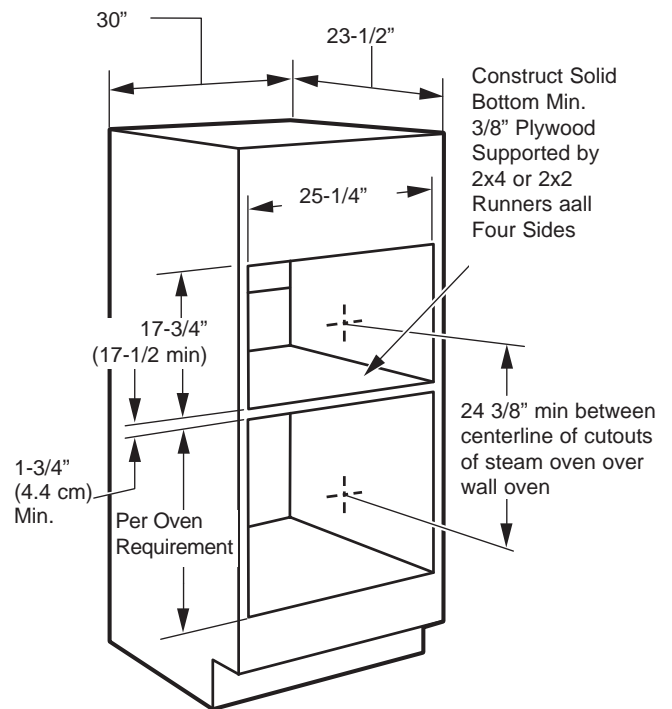
When installing a Warming Drawer below a steam oven, a separate 120V, 60 HZ, properly grounded receptacle must be installed. Refer to installation instructions packed with the Warming Drawer for specific installation requirements.



## 2 D CUTOUT FOR STEAM OVEN OVER A WALL OVEN

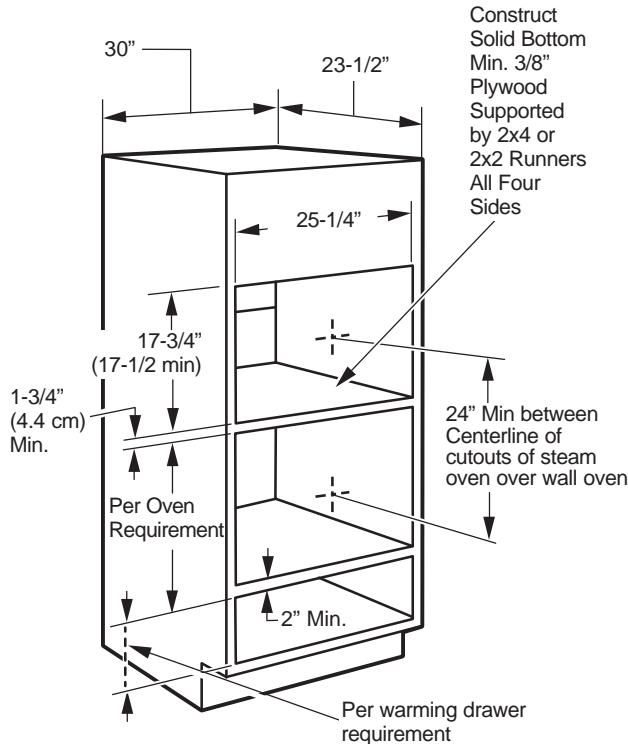
■ If you are replacing an electric double oven with the combined installation of a built-in steam oven and a single oven, use the dimensions shown. The middle rail separating the two openings may need to be larger than the 1-3/4" minimum shown.

When installed over a wall oven: Steam ovens are suitable for installation above only certain specified wall oven models. See the label attached to the outside of the steam oven for suitable models.



# Installation Instructions

## 2 E CUTOUT FOR STEAM OVEN OVER A WALL OVEN AND WARMING DRAWER



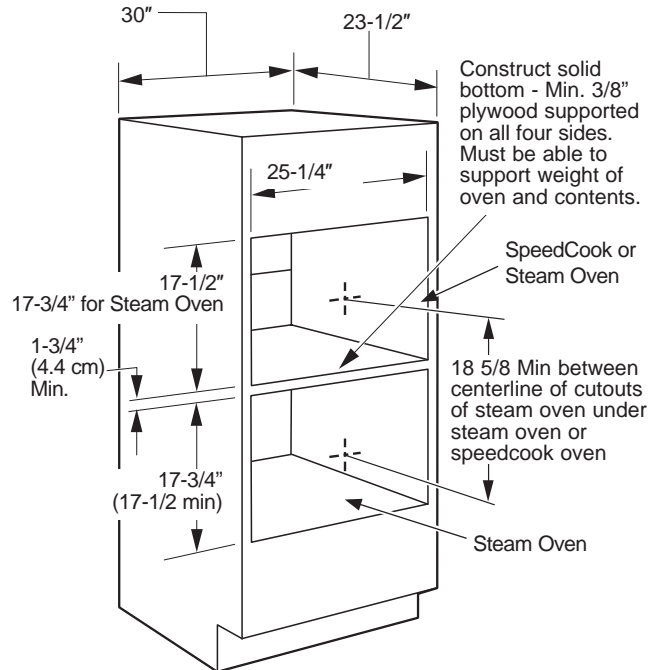
**NOTE:** Additional clearances between the cutouts may be required. Check to be sure the oven supports above the Warming Drawer location do not obstruct the required interior depth and height. See Warming Drawer installation instructions for details.

**When installed over a wall oven or warming drawer:** Steam ovens are suitable for installation above only certain specified appliance models. See the label attached to the outside of the steam oven for suitable models.

### ⚠ CAUTION

For personal safety, the mounting surface must be capable of supporting the cabinet load, in addition to the added weight of this approximate 120-pound oven, plus additional oven loads of up to 50 pounds or a total weight of 180 pounds.

## 2 F CUTOUT FOR STEAM OVEN UNDER ANOTHER BUILT-IN STEAM OVEN/ BUILT-IN SPEEDCOOK OVEN

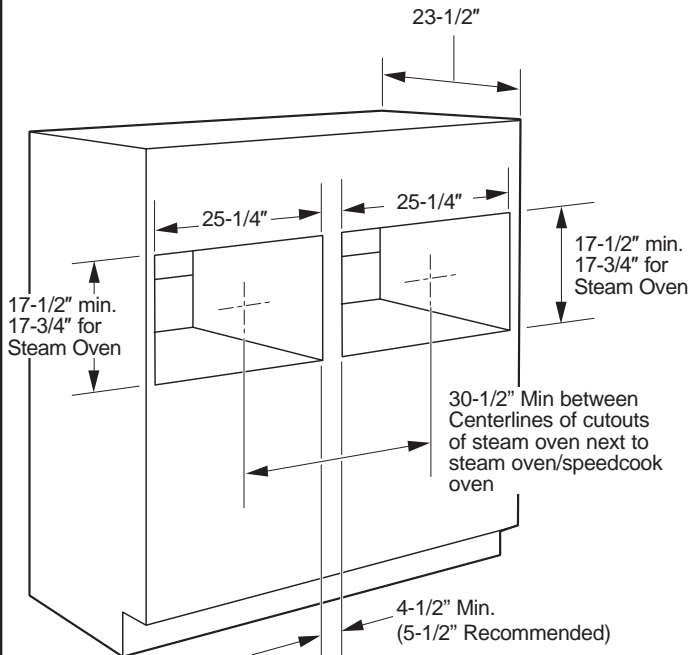


- If you are mounting a Built-In Steam Oven under a Built-In SpeedCook Oven or another Built-In Steam Oven, use the dimensions shown. The middle rail separating the two openings may need to be larger than the 1-3/4" minimum shown.

**When installed under a Built-In SpeedCook Oven or another Built-In Steam Oven:** Steam ovens are suitable for installation under only certain specified appliance models. See the label attached to the outside of the steam oven for suitable models.

# Installation Instructions

## 2 G CUTOUT FOR STEAM OVEN BESIDE ANOTHER BUILT-IN STEAM OVEN/BUILT-IN SPEEDCOOK OVEN:



- If you are mounting a Built-In Steam Oven beside a Built-In SpeedCook Oven or another Built-In Steam Oven, use the dimensions shown. The middle rail separating the two openings may need to be larger than the 4-1/2" minimum shown.

**When installed beside a Built-In SpeedCook Oven or another Built-In Steam Oven:** Steam ovens are suitable for installation under only certain specified appliance models. See the label attached to the outside of the steam oven for suitable models.

## 2 H FLUSHMOUNT INSTALLATION PREPARATION PREPARE THE INTERIOR

### Cut and install side cleats:

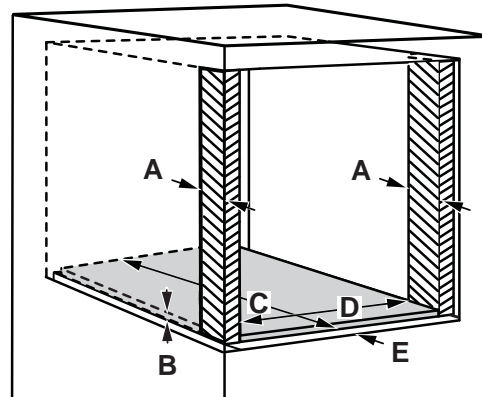
- Cut side wood cleats to height of cabinet opening and approx. 2-1/2" in depth. Install, on each side, 1-1/2" from the front face of the cabinet.

### Cut and install bottom cleat:

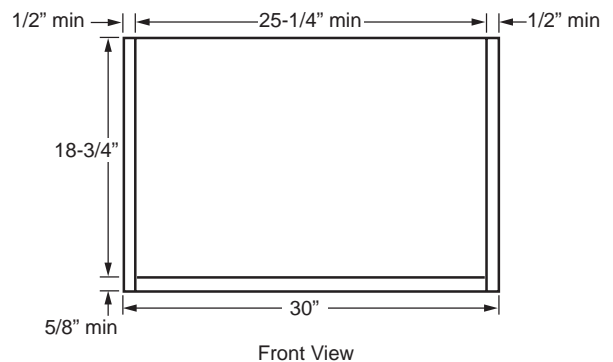
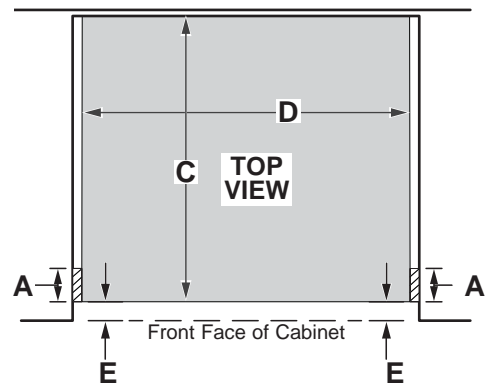
- Cut bottom wood cleat to a height of 5/8" minimum, a depth of the cabinet **minus** 1-1/2" and a width of the cabinet opening (30") minus two side cleat thicknesses (minimum 1/2" each) - 25 1/4" minimum (29" if using 1/2" side cleats).

## 2 H FLUSHMOUNT INSTALLATION PREPARATION (Cont.)

Install onto the cabinet floor between the side cleats, push it all the way back against cabinet wall and make sure its front face aligns with the front faces of the side cleats (E gap from the front cabinet face).



A	Side cleats depth	2-1/2" min.
B	Bottom cleat height	5/8"
C	Bottom cleat depth	Cabinet depth minus E
D	Bottom cleat width	25-1/4"
E	All three cleats inset from cabinet front	ZMB9032: 1 7/16" ZMB9031: 1 3/8"



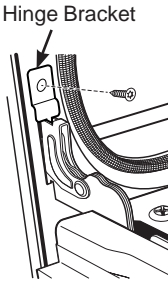
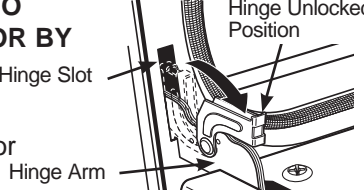
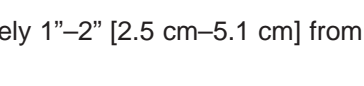
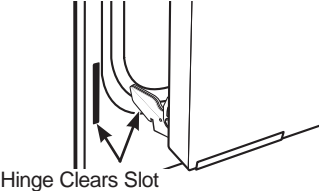


# Installation Instructions

## 3 DOOR REMOVAL

**NOTE:** Door removal is not a requirement for installation of the product but is an added convenience.

### To remove the door:

- A. Open the oven door as far as it will go.
- B. Remove hinge bracket, if equipped, from front frame and set aside. The hinge bracket must be replaced, if equipped, for proper door functionality when door is reinstalled.
- C. Push both hinge locks down toward the door frame to the unlocked position. This may require a flat-blade screwdriver. **DO NOT LIFT THE DOOR BY THE HANDLE!**
- D. Place hands on both sides of the door and close the oven door to the removal position (approximately 1"–2" [2.5 cm–5.1 cm] from the closed position).
- E. Lift the door up and out until the hinge arms clear the slots. **NOTE:** The oven door is very heavy. Be sure you have a firm grip before lifting the oven door off the hinges. Use caution once the door is removed. Do not lay the door on its handle. This could cause dents or scratches.

## 4 ELECTRICAL REQUIREMENTS

**▲WARNING** This appliance must be properly grounded.

**▲WARNING** To prevent fire or shock, do not use an extension cord with this appliance.

**▲WARNING** To prevent shock, remove house fuse or open circuit breaker before beginning installation.

**▲WARNING** Improper connection of aluminum house wiring to copper leads can result in an electrical hazard or fire. Use only connectors designed for joining copper to aluminum and follow the manufacturer's recommended procedure closely.

We recommend you have the electrical wiring and hookup of your appliance connected by a qualified electrician. After installation, have the electrician show you how to disconnect power from the appliance.

You must use a single-phase, 120/208 VAC or 120/240 VAC, 60 Hertz electrical system. If you connect to aluminum wiring, properly installed connectors approved for use with aluminum wiring must be used.

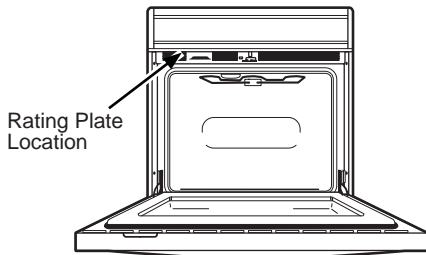
Effective January 1, 1996, the National Electrical Code requires that new construction (not existing) utilize a four-conductor connection to an electric oven. When installing an electric oven in new construction, a mobile home, recreational vehicle or an area where local codes prohibit grounding through the neutral conductor, refer to the section on four-conductor branch circuit connections.

Check with your local utilities for electrical codes which apply in your area. Failure to wire your oven according to governing codes could result in a hazardous condition. If there are no local codes, your oven must be wired and fused to meet the National Electrical Code, NFPA No. 70 – latest edition, available from the National Fire Protection Association.

# Installation Instructions

## 4 ELECTRICAL REQUIREMENTS (Cont.)

This appliance must be supplied with the proper voltage and frequency and connected to an individual, properly grounded branch circuit, protected by a circuit breaker or fuse. See the rating plate located on the underside of the control panel to determine the rating of the product.



Rating plate is located on the underside of the control panel

Use the chart below to determine the minimum recommended dedicated circuit protection:

KW Rating 240V	KW Rating 208V	Recommended Circuit Size (Dedicated)
≤4.8 KW	≤4.1 KW	20 Amp
4.9 KW–7.2 KW	4.2 KW–6.2 KW	30 Amp
7.3 KW–9.6 KW	6.3 KW–8.3 KW	40 Amp
9.7 KW–12.0 KW	8.4 KW–10.4 KW	50 Amp

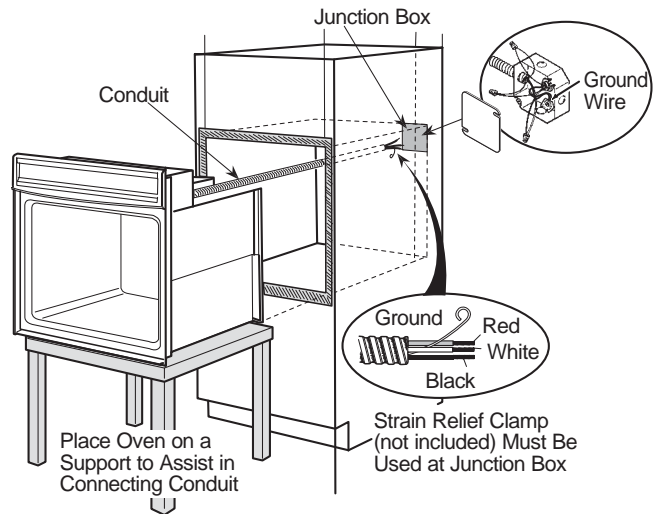
**DO NOT** shorten the flexible conduit. The conduit strain relief clamp must be securely attached to the junction box and the flexible conduit must be securely attached to the clamp. If the flexible conduit will not fit within the clamp, do not install the oven until a clamp of the proper size is obtained.

The 3 power leads supplied with this appliance are suitable for connection to heavier gauge household wiring. The insulation of these 3 leads is rated for temperatures much higher than the temperature rating of the household wiring. The current-carrying capacity of the conductor is governed by the wire gauge and the temperature rating of the insulation around the wire.

## 5 MAKE ELECTRICAL CONNECTIONS

**WARNING** Switch power off at the service panel and lock the service disconnecting means to prevent power from being switched on accidentally. When the service disconnecting means cannot be locked, securely fasten a prominent warning device, such as a tag, to the service panel.

Place oven on table or platform even with the cutout opening. For a steam oven, the platform must support 170 lbs. (78 kg). Connect the flexible conduit to the electrical junction box as shown below\*. Position the conduit in such a manner that it will lie behind the unit in a natural loop when the oven is installed. You will need to purchase an appropriate strain relief clamp to complete the connection of the conduit to the junction box.



\*Ovens come equipped with a 40" or 54" long conduit. If a longer conduit is desired, there may be one available for your model. To check availability or order parts, visit [monogram.com](http://monogram.com).

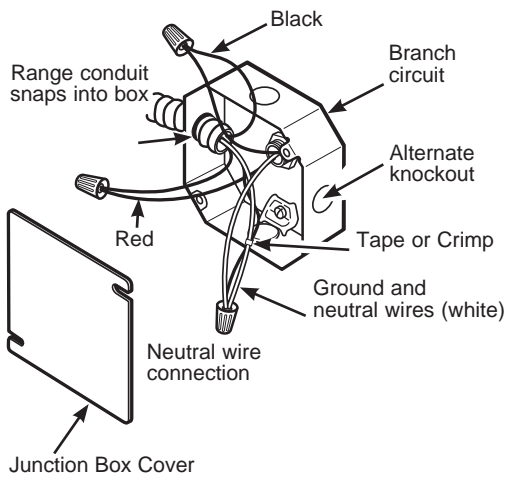
# Installation Instructions

## 6 THREE-CONDUCTOR BRANCH CIRCUIT CONNECTION

**NOTE:** If residence leads are aluminum conductors, see **WARNING** in Section 4, Electrical Requirements.

When connecting to a three-conductor branch circuit, if local codes permit:

- A. Connect the oven ground conductor along with the neutral (white) lead to the branch circuit neutral (white or gray in color), using a wire nut.
- B. Connect the oven red lead to the branch circuit red lead and the oven black lead to the branch circuit black lead in accordance with local codes, using wire nuts.
- C. Install proper strain relief clamp.
- D. Install junction box cover.

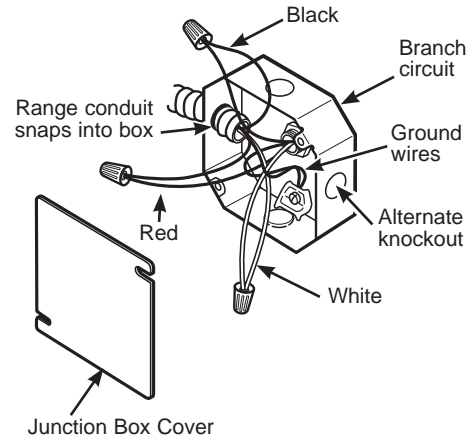


## 7 FOUR-CONDUCTOR BRANCH CIRCUIT CONNECTION

**NOTE:** If residence leads are aluminum conductors, see **WARNING** in Section 5, Electrical Requirements.

When connecting to a four-conductor branch circuit, if local codes permit:

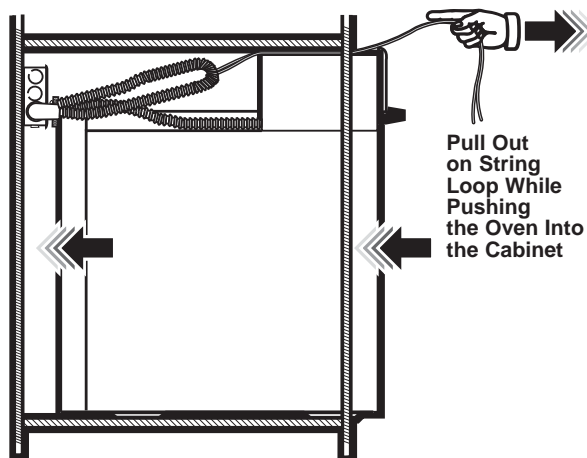
- A. Free the neutral (white) lead from being restrained to any other wires. If necessary, cut the neutral (white) lead and then re-strip it to expose the proper length of conductor.
- B. Attach the appliance grounding lead (green or bare copper) in accordance with local codes.
- C. Connect the oven neutral (white) lead to the branch circuit neutral (white or gray) in accordance with local codes, using a wire nut.
- D. Connect the oven red lead to the branch circuit red lead and the oven black lead to the branch circuit black lead in accordance with local codes, using wire nuts.
- E. Install proper strain relief clamp.
- F. Install junction box cover.



# Installation Instructions

## 8 SLIDE OVEN INTO OPENING

- A. Loop (**do not tie**) a 36" (91 cm) string around the conduit before the oven is slid into place. This will keep the conduit from falling behind the oven.
- B. Lift oven into the opening. Use removable wireformed handles on sides to lift unit. Do not lift unit by handle or conduit. Two people are required to lift this oven. Carefully push against oven front frame. Do not push against outside edges.
- C. Leave oven a few inches forward of the cabinet front frame. Do not push the unit all of the way into the cutout.
- D. As you slide the oven back, pull the string so that the conduit will lie on top of the oven in a natural loop.



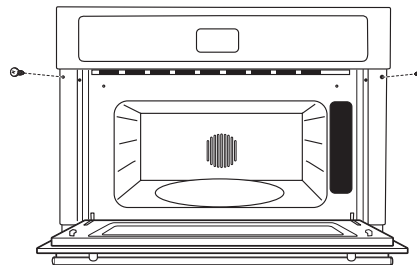
- E. When you are sure the conduit is out of the way, slide the oven  $\frac{3}{4}$  way back into the opening. Remove the string by pulling on one end of the loop.

## 9 INSTALL MOUNTING SCREWS

### ⚠ WARNING

Mounting screws must be used. Failure to do so could result in the oven falling out of the cabinet, causing serious injury.

**NOTE:** Before drilling the pilot holes, make sure the oven is pushed as far back into the opening as it will go and is centered.



- A. Tip the top of the oven toward you so the bottom of the unit can slide into the cutout first.
- B. Slide the oven the remaining way into the opening so that the side flanges and control panel are against the cabinet frame. Make sure that the oven is centered in the opening.
- C. Open the door, place a rack in the oven and make sure that the rack in the unit is level.
- D. Drill pilot holes through the side flanges into the cabinet.
- E. Place the included washers around the mounting screws and drive the screws into the side flanges. It is recommended that the screws be hand tightened.

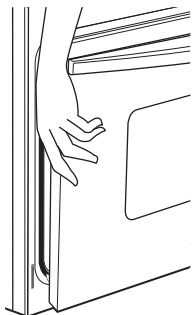
# Installation Instructions

## 10 REPLACING THE OVEN DOOR

**NOTE:** The oven door is heavy. You may need help lifting the door high enough to slide it into the hinge slots. Do not lift the door by the handle.

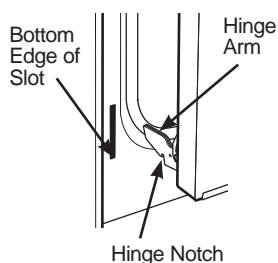
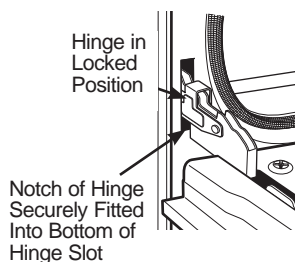
**A.** Lift the oven door by grasping each side.

**B.** With the door at the same angle as the removal position (approximately 1"–2" [2.5 cm–5.1 cm] from the closed position), seat the notch of the hinge arm into the bottom edge of the hinge slot. The notch of the hinge arm must be fully seated into the bottom of the slot.



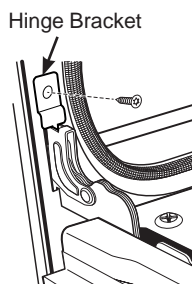
**C.** Fully open the door. If the door will not fully open, the indentation is not seated correctly in the bottom edge of the slot.

**D.** Push the hinge locks up against the front frame of the oven cavity, to the locked position.



**E.** Replace hinge bracket, if equipped, to ensure proper door functionality.

**F.** Close the oven door.



## 11 FINAL INSTALLATION CHECKLIST

- Check to make sure the circuit breaker is closed (RESET) or the circuit fuses are replaced.
- Be sure power is in service to the building.
- Check that all packing material and tape have been removed. Failure to remove these materials could result in damage to the appliance once the appliance has been turned on and surfaces have heated.
- Remove all items from inside the oven.
- Check to be sure that the mounting screws are installed and flush with the side trim (see Section 9).
- If applicable - install handles following handle installation instructions and check that both ends are secured.

## OPERATION CHECKLIST

- Turn power on at the source. The interior light should come on when the door is opened.
- When power is applied to the unit for the first time, the control will go through an initial setup. These settings can be changed at any time. Reference the SETTINGS section. During this initial setup, use the arrow keys and SELECT keypad to follow the oven control prompts.
- See your Owner's Manual for the operating instructions troubleshooting list.
- Be sure all of the oven controls are OFF before leaving the oven.

# Notes

---

# Notes

---

**NOTE:** While performing installations described in this book, safety glasses or goggles should be worn.

**NOTE:** Product improvement is a continuing endeavor at Monogram Appliances. Therefore, materials, appearance and specifications are subject to change without notice.







# INSTRUCCIONES DE INSTALACIÓN

**Horno a Vapor Incorporado**

ZMB9032, ZMB9031

# Información sobre Seguridad

## ANTES DE COMENZAR

Lea estas instrucciones por completo y con detenimiento.

- **IMPORTANTE** — Guarde estas instrucciones para el uso de inspectores locales.
- **IMPORTANTE** — Cumpla con todos los códigos y ordenanzas vigentes.
- **Nota al instalador** – Asegúrese de dejar estas instrucciones con el Consumidor.
- **Nota al consumidor** – Conserve estas instrucciones para referencia futura.
- **Nivel de destreza** – La instalación de este aparato requiere un instalador o electricista calificados.
- El instalador tiene la responsabilidad de efectuar una instalación adecuada.
- La garantía no cubre las fallas del producto provocadas por una instalación incorrecta.
- Este producto sólo se debe usar en áreas interiores.

**ATENCIÓN INSTALADOR:** Todos los hornos de pared eléctricos deben contar con cableado de conexión permanente (cableado directo) dentro de una caja de conexiones aprobada. En estos productos NO se permite la conexión del tipo “enchufe y receptáculo”.

## PARA SU SEGURIDAD:

**⚠ ADVERTENCIA** Antes de comenzar la instalación, desconecte la energía del panel de servicio y bloquee los medios de desconexión para evitar el accionamiento de la energía de manera accidental. Cuando los medios de desconexión de servicio no pueden bloquearse, coloque sobre el panel de servicio un dispositivo de advertencia bien visible, como una etiqueta.

El horno debe instalarse bien en un gabinete que se encuentre firmemente sujeto a la estructura de la casa. Si se coloca peso sobre la puerta del horno, éste puede volcarse y provocar lesiones. Nunca permita que nadie se suba, siente, pare o cuelgue de la puerta del horno.

Verifique que el revestimiento de las paredes, mostradores y gabinetes ubicados alrededor del horno puedan soportar el calor (hasta 200°F [93,3°C]) generado por el horno.

## CONTENIDO

<b>Información de Seguridad</b> .....	2
<b>Instrucciones de Instalación</b>	
Paso 1. Retire el Embalaje y las Piezas.....	3
Paso 2. Prepare la Abertura.....	3
Paso 3. Retiro de la Puerta.....	9
Paso 4. Requisitos Eléctricos.....	9
Paso 5. Realice las Conexiones Eléctricas.....	10
Paso 6. Conexión del Circuito de Empalmes de Tres Conductores.....	11
Paso 7. Conexión del Circuito de Empalmes de Cuatro Conductores.....	11
Paso 8. Deslice el Horno en la Abertura.....	12
Paso 9. Instale los Tornillos de Montaje.....	12
Paso 10. Reemplazo de la Puerta del Horno.....	13
Paso 11. Lista de Control Final de la Instalación ...	13

## MODELOS DISPONIBLES

### Café Pro Models:

ZMB9031 - Acero Inoxidable

### Café Min Models:

ZMB9032 - Acero Inoxidable

# Instrucciones de Instalación

## MATERIALES QUE PUEDE NECESITAR

Caja de conexiones  
Tapones de alambre  
Abrazadera de alivio de tensión para conducto de 1/2"  
36" (91 cm) de Cuerda

## HERRAMIENTAS NECESARIAS

Broca de perforadora de 1/8" y perforadora eléctrica o de mano  
Destornillador de estrella  
Alicates pelacables

### 1 QUITE LOS MATERIALES DE EMPAQUE

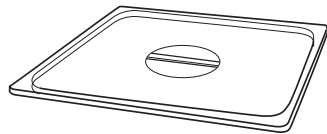
No quitar los materiales de empaque puede provocar daños al electrodoméstico. Quite todas las partes de empaque del horno, bandejas y elementos de calentamiento. Quite la película protectora y las etiquetas de la puerta exterior y panel de control. Abra la puerta del horno y retire el paquete informativo y el depósito, los utensilios, la sonda para carne, y los estantes del horno. Ubique las piezas del paquete que contienen los tornillos de montaje.



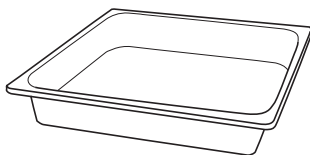
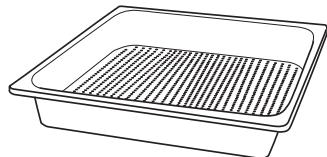
4 Arandelas de Montaje



4 Tornillos de Montaje



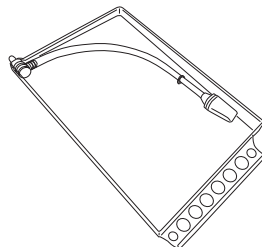
Bandeja Perforada con Tapa



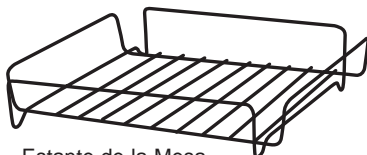
Bandeja Sólida



Estante del Horno



Depósito con Tubería de Entrada



Estante de la Mesa



Bandejas Pequeñas con Tapas (Conjunto de 6)

## INFORMACIÓN DE DISEÑO

### INSTALACIONES DEL HORNO A VAPOR

El horno a vapor se podrá instalar en un gabinete de forma individual o sobre el cajón de calentamiento, en el horno de pared simple, o debajo de otro horno de vapor o un horno Speedcook. El horno a vapor también puede ser instalado uno al lado del otro, debajo de una mesada, o debajo de superficies de cocción específicas. Para conocer los modelos aprobados, consulte la etiqueta que se encuentra en la parte exterior del horno.

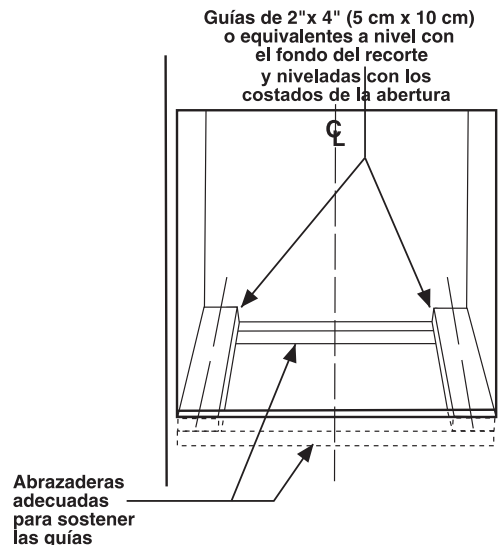
**IMPORTANTE:** Siempre consulte las instrucciones de instalaciones individuales enviadas con cada producto para requerimientos específicos.

### 2 PREPARE LA ABERTURA

**NOTA:** Si el gabinete no cuenta con un fondo sólido, deben instalarse dos abrazaderas o guías para soportar el peso del horno. Para Hornos a vapor, los tirantes y soportes deberán soportar 170 lbs. (78 kg.).

**NOTA:** Si marcas, imperfecciones o la abertura resultaran visibles sobre el horno instalado, es posible que sea necesario agregar cuñas de madera debajo de las correderas hasta que las marcas o aperturas estén cubiertas.

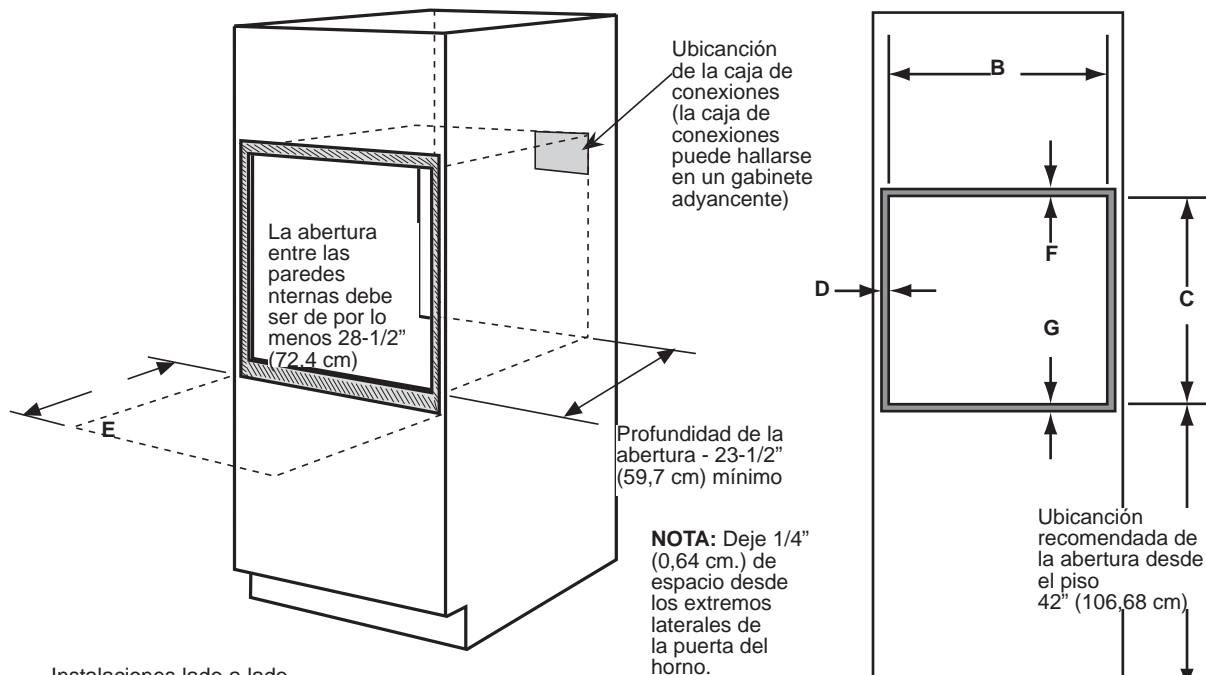
**NOTA:** Si el gabinete no cuenta con un armazón frontal y los lados son menores a un grosor de 3/4" (1,9 cm), coloque cuñas uniformemente sobre ambos lados para establecer al ancho de la abertura.



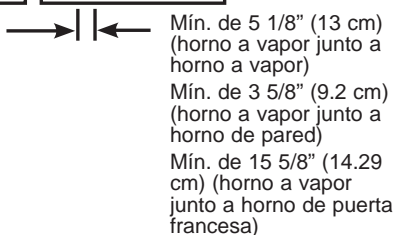
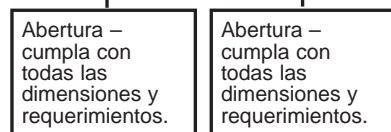
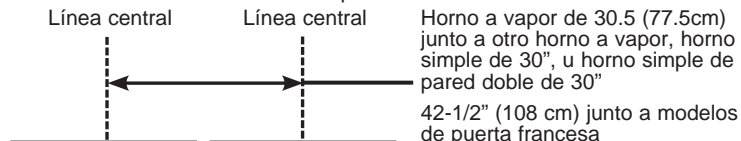
# Instrucciones de Instalación

## 2 A ESPACIOS LIBRES PARA HORNO A VAPOR EN GABINETES DE PARED

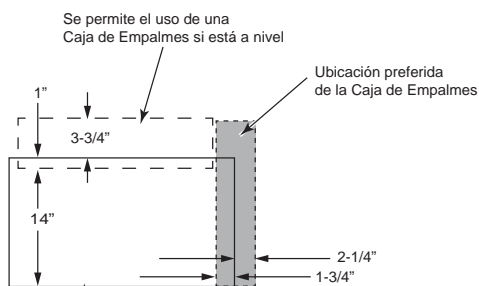
**NOTA:** Si el gabinete no cuenta con un armazón frontal y los lados son menores a un grosor de 3/4" (1,9 cm), coloque cuñas uniformemente sobre ambos lados para establecer el ancho de la abertura.



Instalaciones lado a lado  
Instale dos hornos en aberturas separadas.



### Ubicación de la Caja de Empalmes



No se permite una Caja de Empalmes en este espacio

Dimensión	Descripción de la dimensión	Horno a Vapor de 30"
A	Ancho del gabinete	30" (76,2 cm)
B	Ancho de la abertura	25-1/4" (64.1 cm) min. 25-3/4" (65.4 cm) max.
C	Altura de la abertura	17-1/2" (44.4 cm) min. 17-3/4" (45.1 cm) max.
D	Espacio desde la abertura – extremos laterales*	2-1/4" (5.7 cm)
E	Espacio respecto de esquinas adyacentes, cajones, paredes, etc., cuando la puerta está abierta	13" (33 cm) min.
F	Espacio desde la abertura – parte superior*	1" (2.5 cm) min.
G	Espacio desde la abertura – parte inferior*	5/8" (2.2 cm)
H	Ubicación de la caja de conexiones	Consulte el detalle sobre preferencias de ubicación del lado derecho

\* Se refiere al espacio mínimo requerido para la instalación del horno de pared y no refleja las dimensiones reales del producto.

# Instrucciones de Instalación

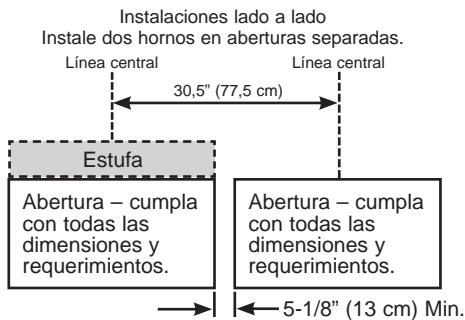
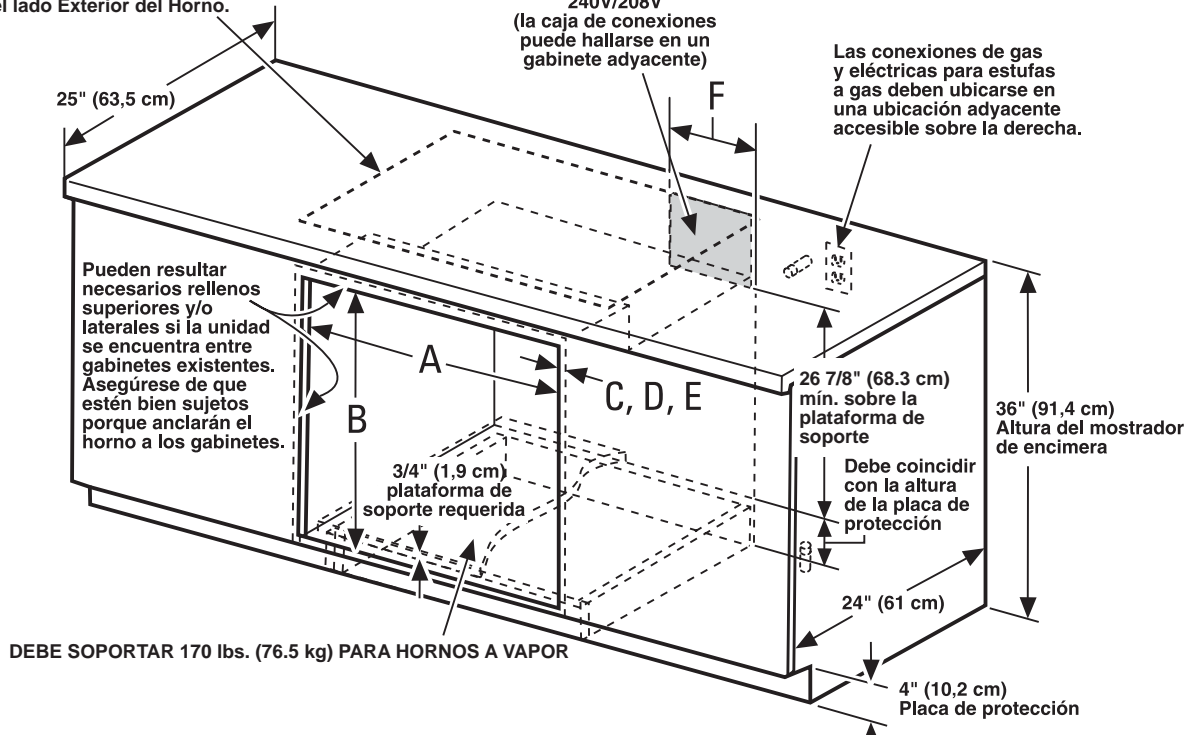
## 2 B ESPACIO LIBRE PARA HORNOS A VAPOR – DEBAJO DE LA MESADA

**NOTE:** These ovens are only approved to be installed under the specific models as labeled on the unit.

Pueden instalarse estufas a gas o eléctricas sobre este horno. Ver las instrucciones de instalación de la estufa para el tamaño de la abertura. Para Conocer los Modelos Aprobados, Consulte la Etiqueta que se Encuentra del lado Exterior del Horno.

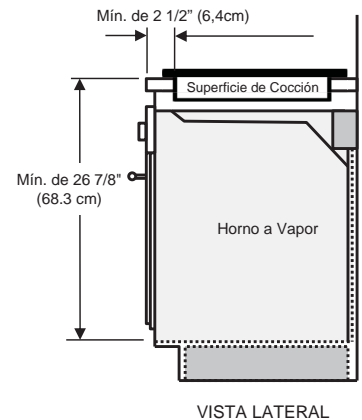
Ubicación de la caja de conexiones de 240V/208V (la caja de conexiones puede hallarse en un gabinete adyacente)

Las conexiones de gas y eléctricas para estufas a gas deben ubicarse en una ubicación adyacente accesible sobre la derecha.



**NOTA:** Una estufa puede centrarse sobre cualquier horno en la instalación de lado a lado.

**IMPORTANTE:** Deje una distancia mín. de 28 7/8" (73.3 cm) de desde la superficie superior de la mesada hasta la plataforma del horno a vapor, a fin de asegurar que la superficie de cocción y el horno a vapor no interfieran uno con el otro (consulte la imagen).



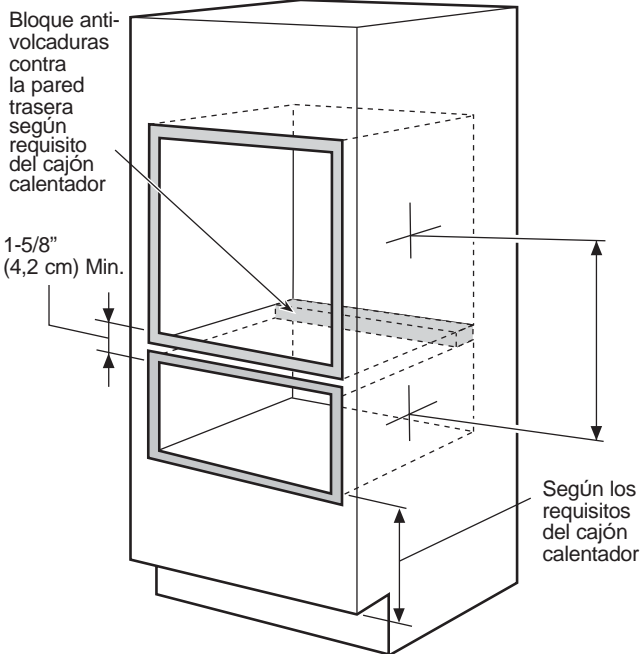
# Instrucciones de Instalación

## 2 C ESPACIO LIBRE PARA HORNOS A VAPOR SOBRE UN CAJÓN DE CALENTAMIENTO

**NOTA:** Instale el horno a vapor sólo con los modelos específicos que figuran en la lista de la etiqueta que se encuentra en la parte exterior del horno.

**NOTA:** Pueden necesitarse espacios adicionales entre las aberturas. Asegúrese de que los soportes del horno a vapor que se encuentran sobre la ubicación del Cajón de Calentamiento no obstruyan la profundidad ni la altura requeridas.

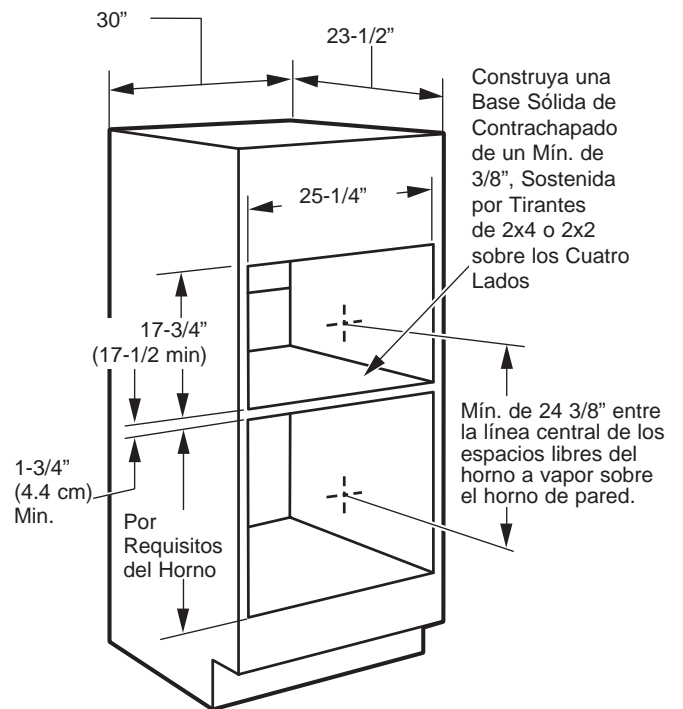
Al instalar un Cajón de Calentamiento debajo de un horno a vapor, debe instalarse un tomacorriente separado de 120V, 60 HZ con adecuada conexión a tierra. Consulte las instrucciones de instalación enviadas con el cajón calentador para requisitos específicos de instalación.



## 2 D ESPACIO LIBRE PARA HORNOS A VAPOR SOBRE UN HORNO DE PARED

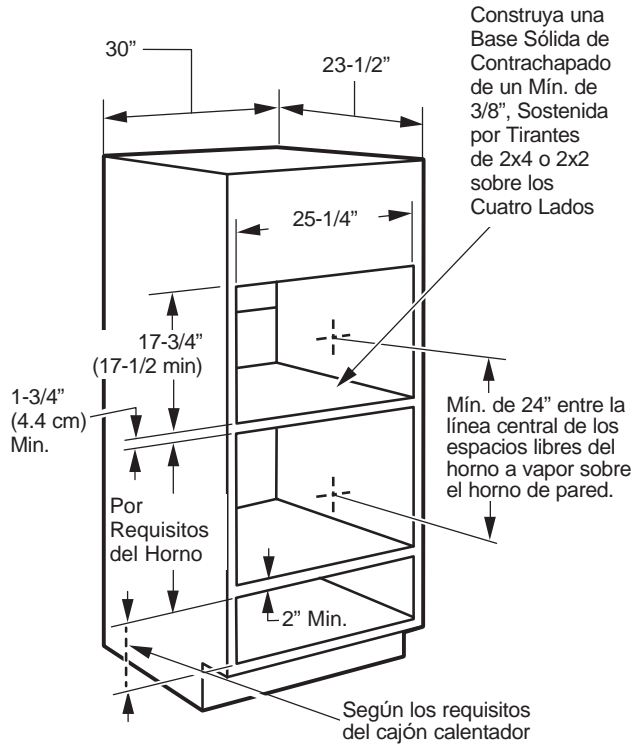
■ Si reemplazará un horno eléctrico doble con la instalación combinada de un horno a vapor incorporado y un horno simple, utilice las dimensiones mostradas. Es posible que sea necesario que el riel intermedio que separa las dos aberturas posea una longitud superior al mínimo mostrado de 1 3/4".

Cuando se instalen sobre un horno de pared: Los hornos a vapor son adecuados para la instalación sólo sobre ciertos modelos de horno de pared específicos. Consulte la etiqueta adherida a la parte exterior del horno a vapor para conocer los modelos adecuados.



# Instrucciones de Instalación

## 2 E ESPACIO LIBRE PARA HORNOS A VAPOR SOBRE UN HORNO DE PARED Y UN CAJÓN DE CALENTAMIENTO



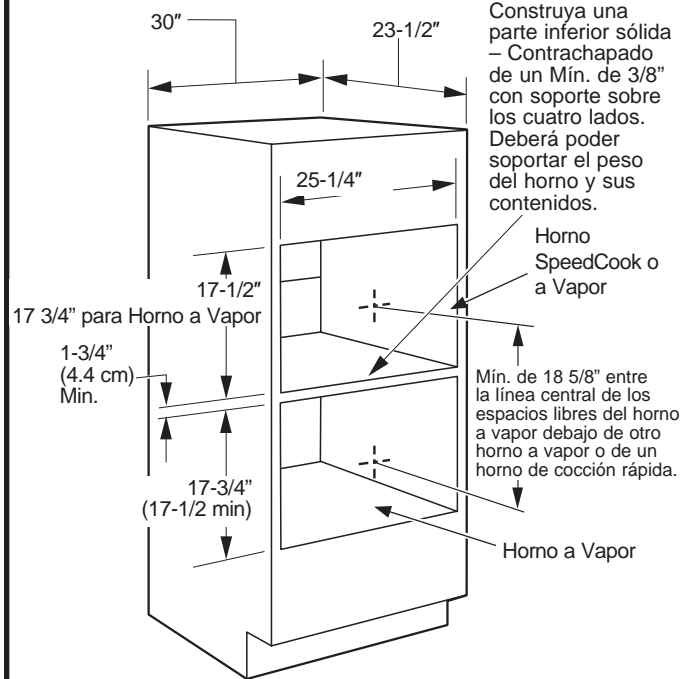
**NOTA:** Es posible que sean necesarios despejes adicionales entre los espacios libres. Asegúrese de que los soportes del horno que se encuentran sobre la ubicación del Cajón de Calentamiento no obstruyan la profundidad ni la altura interior requeridas. Para más detalles, consulte las instrucciones de instalación del Cajón de Calentamiento.

**Cuando se instalen sobre un horno de pared o un cajón de calentamiento:** Los hornos a vapor son adecuados para la instalación sólo sobre ciertos modelos de electrodomésticos específicos. Consulte la etiqueta adherida a la parte exterior del horno a vapor para conocer los modelos adecuados.

### ⚠ PRECAUCIÓN

Por razones de seguridad personal, la superficie de montaje deberá poder soportar la carga del gabinete, además del peso agregado de este horno de aproximadamente 120 libras, además de cargas de horno adicionales de hasta 50 libras o un peso total de 180 libras.

## 2 F ESPACIO LIBRE PARA EL HORNO DEBAJO DE OTRO HORNO A VAPOR INCORPORADO/ HORNO SPEEDCOOK INCORPORADO



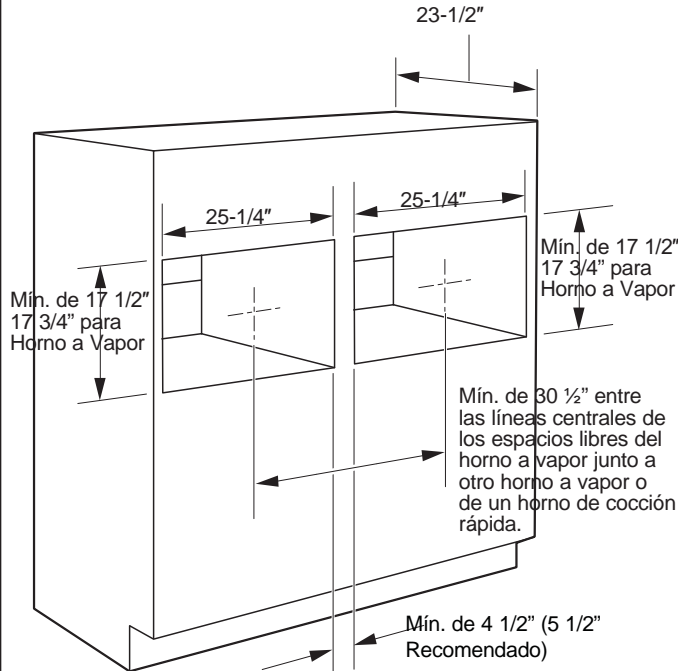
■ Si montará un Horno a Vapor Incorporado debajo de un Horno SpeedCook Incorporado u otro Horno a Vapor Incorporado, utilice las dimensiones mostradas. Es posible que sea necesario que el riel intermedio que separa las dos aberturas posea una longitud superior al mínimo mostrado de 1 3/4".

### Cuando se instale debajo de un Horno SpeedCook Incorporado u otro Horno a Vapor Incorporado:

Los hornos a vapor son adecuados para la instalación sólo debajo de ciertos modelos de electrodomésticos específicos. Consulte la etiqueta adherida a la parte exterior del horno a vapor para conocer los modelos adecuados.

# Instrucciones de Instalación

## 2 G ESPACIO LIBRE PARA EL HORNO A VAPOR JUNTO A OTRO HORNO A VAPOR INCORPORADO/ HORNO SPEEDCOOK INCORPORADO:



■ Si montará un Horno a Vapor Incorporado junto a un Horno SpeedCook Incorporado u otro Horno a Vapor Incorporado, utilice las dimensiones mostradas. Es posible que sea necesario que el riel intermedio que separa las dos aberturas posea una longitud superior al mínimo mostrado de 4 1/2".

### Cuando se instale junto a un Horno SpeedCook Incorporado u otro Horno a Vapor Incorporado:

Los hornos a vapor son adecuados para la instalación sólo debajo de ciertos modelos de electrodomésticos específicos. Consulte la etiqueta adherida a la parte exterior del horno a vapor para conocer los modelos adecuados.

## 2 H PREPARACIÓN PARA LA INSTALACIÓN CON MONTAJE NIVELADO

### PREPARE EL INTERIOR

#### Corte e instale los ristreles laterales:

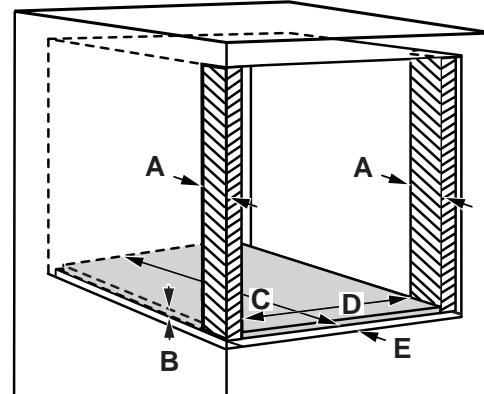
■ Corte ristreles de madera laterales hasta la altura de la abertura del gabinete, de aproximadamente 2 1/2" de profundidad. Instale, sobre cada lado, 1 1/2" desde la cara frontal del gabinete.

#### Corte e instale los ristreles inferiores:

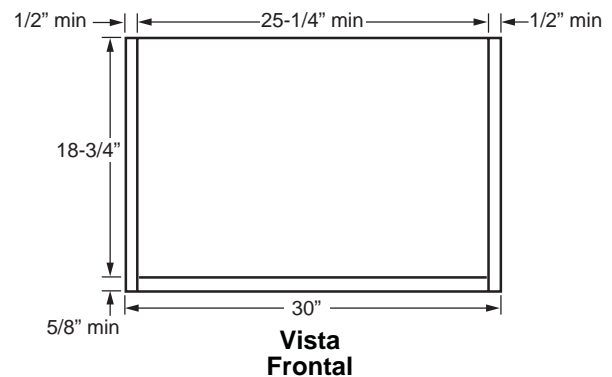
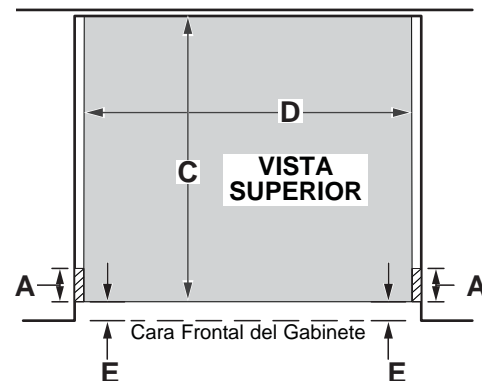
■ Corte el ristel inferior de madera hasta una altura mínima de 5/8", de la profundidad del gabinete menos 1 1/2" y del ancho de la abertura del gabinete (30") menos el grosor de dos ristreles laterales (mínimo de 1/2" cada uno) – mínimo de 25 1/4" (29" si se usarán ristreles laterales de 1/2").

## 2 H PREPARACIÓN PARA LA INSTALACIÓN CON MONTAJE NIVELADO (Cont.)

Realice la instalación sobre el piso del gabinete entre los dos ristreles laterales, empuje completamente hacia atrás contra la pared del gabinete y asegúrese de que su cara frontal se alinee con las caras frontales de los ristreles laterales (brecha de E desde la cara del gabinete frontal).



A	Profundidad de los ristreles laterales	2-1/2" min.
B	Altura del ristel inferior	5/8"
C	Profundidad del ristel inferior	Profundidad del gabinete menos E
D	Ancho del ristel inferior	25-1/4"
E	Inserción de los tres ristreles desde el frente del gabinete	ZMB9032: 1 7/16" ZMB9031: 1 3/8"



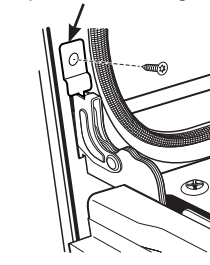



# Instrucciones de Instalación

## 3 REMOCIÓN DE LA PUERTA

**NOTA:** La remoción de la puerta no es un requerimiento de la instalación del producto, pero es una comodidad adicional.

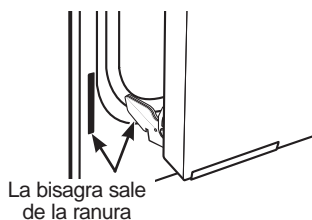
**Para quitar la puerta:**

- A. Abra la puerta del horno en su totalidad.
- B. Retire el soporte de la bisagra, si se cuenta con el mismo, del marco frontal y déjelo a un lado. El soporte de la bisagra deberá ser reemplazado, si se cuenta con el mismo, para un funcionamiento correcto de la puerta cuando está última sea reinstalada.  

- C. Presione ambas trabas de la bisagra hacia abajo en dirección del marco de la puerta hasta destrabarlas. Para esto puede hacer falta un destornillador de lados planos. **¡NO LEVANTE LA PUERTA DE LA MANIJA!**  


Ranura de la bisagra

Brazo de la bisagra

Posición destrabada de la bisagra
- D. Coloque las manos sobre ambos lados y cierre la puerta del horno hasta la posición de remoción (aproximadamente 1"-2" [2,5 cm-5,1 cm] de la posición de cierre).
- E. Levante la puerta hasta que los brazos de la bisagra hayan salido de las ranuras. **NOTA:** La puerta del horno es muy pesada. Asegúrese de tener un agarre firme antes de levantar la puerta del horno de sus bisagras. Tenga cuidado una vez que haya quitado la puerta. No deposite la puerta sobre la manija. Esto puede provocar abolladuras o rayones.



## 4 REQUISITOS ELÉCTRICOS

**⚠ADVERTENCIA** Este aparato debe contar con una adecuada conexión a tierra.

**⚠ADVERTENCIA** Para prevenir un incendio o descarga eléctrica, no utilice un cable de extensión con este aparato.

**⚠ADVERTENCIA** Para prevenir una descarga eléctrica, quite el fusible o abra el interruptor de circuitos antes de comenzar la instalación.

**⚠ADVERTENCIA** Una conexión inadecuada de cableado doméstico de aluminio con cables de cobre puede generar un peligro eléctrico o un incendio. Sólo use conectores diseñados para unir cobre con aluminio y siga al pie de la letra el procedimiento recomendado del fabricante.

Recomendamos que un electricista calificado conecte el cableado eléctrico de su aparato. Después de la instalación, solicite al electricista que le indique cómo desconectar la energía del aparato.

Usted debe usar un sistema eléctrico de fase única de 120/208 VAC o 120/240 VAC de 60 hercios. Si tiene una conexión con cableado de aluminio, deben utilizarse conectores adecuadamente instalados para utilizar con cableado de aluminio.

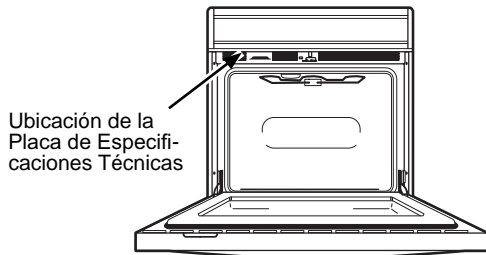
Vigente desde el 1 de enero de 1996, el Código Eléctrico Nacional requiere que las nuevas construcciones (no existentes) utilicen una conexión de cuatro conductores a un horno eléctrico. Cuando instale un horno eléctrico en una construcción nueva, una casa rodante, un vehículo recreativo o un área donde los códigos locales prohíben la conexión a tierra a través de un conductor neutral, consulte la sección sobre conexiones en circuito derivado de cuatro conductores.

Consulte a las empresas de servicio público sobre los códigos eléctricos que se aplican en su área. No realizar el cableado de su horno de acuerdo con los códigos vigentes puede provocar una situación peligrosa. Si no existen códigos locales, el cableado y fusibles de su horno deben cumplir con el Código Eléctrico Nacional, NFPA N° 70, última edición, disponible en National Fire Protection Association (Asociación Nacional de Protección contra Incendios).

# Instrucciones de Instalación

## 4 REQUISITOS ELÉCTRICOS (Cont.)

Este aparato debe recibir el voltaje y frecuencia adecuados, y debe conectarse a un circuito derivado individual con adecuada conexión a tierra, protegido por un interruptor de circuitos o fusible. Lea la etiqueta de características técnicas en la parte inferior del panel frontal, a fin de determinar las especificaciones del producto.



La etiqueta de especificaciones técnicas está ubicada en la parte inferior del panel de control.

Utilice la tabla de abajo para determinar la protección de circuito dedicado mínima recomendada:

Clasificación de KW 240V	Clasificación de KW 208V	Tamaño de circuito recomendado (dedicado)
≤4,8 KW	≤4,1 KW	20 Amp
4,9 KW–7,2 KW	4,2 KW–6,2 KW	30 Amp
7,3 KW–9,6 KW	6,3 KW–8,3 KW	40 Amp
9,7 KW–12,0 KW	8,4 KW–10,4 KW	50 Amp

NO acorte el conducto flexible. La abrazadera del alivio de tensión del conducto debe estar bien sujeta a la caja de conexiones y el conducto flexible debe estar bien sujeto a la abrazadera. Si el conducto flexible no entra dentro de la abrazadera, no instale el horno hasta obtener una abrazadera del tamaño adecuado.

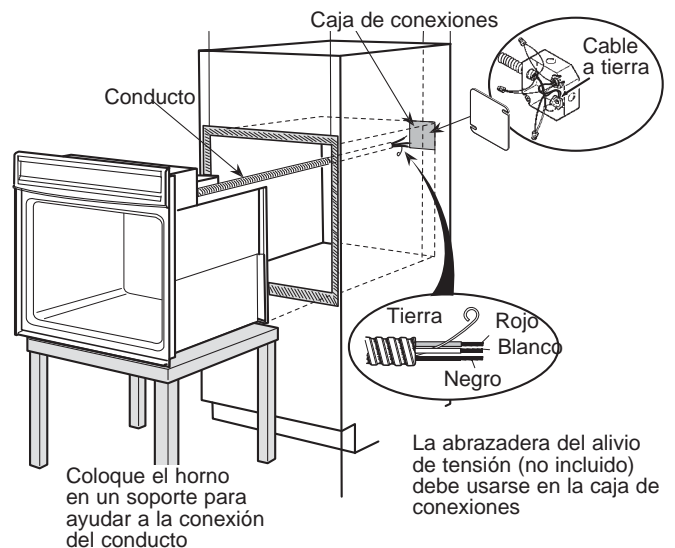
Los 3 cables de energía suministrados con este aparato son adecuados para conexiones con cableados domésticos de calibre mayores. La aislación de estos 3 cables está clasificada a temperaturas mucho más elevadas que la clasificación del cableado doméstico. La capacidad de transmitir corriente del conductor está determinada por el calibre del cable y la clasificación de temperatura de la aislación alrededor del cable.

## 5 REALICE LAS CONEXIONES ELÉCTRICAS

### ⚠ ADVERTENCIA

Desconecte la energía del panel de servicio y bloquee los medios de desconexión para evitar el accionamiento de la energía de manera accidental. Cuando los medios de desconexión de servicio no pueden bloquearse, coloque sobre el panel de servicio un dispositivo de advertencia bien visible, como una etiqueta.

Coloque el horno sobre una mesa o plataforma en forma nivelada con la abertura. Para un horno a vapor, la plataforma deberá poder soportar 170 lbs. (78 kg). Conecte el conducto flexible a la caja de conexiones eléctrica como se indica abajo\*. Posicione el conducto de modo tal que se apoye detrás de la unidad en un círculo natural cuando el horno sea instalado.\*\* Tendrá que comprar una abrazadera para alivio de tensión apropiada para completar la conexión del conducto a la caja de conexiones.



\*Los hornos vienen equipados con un conducto de 40" o 54" de longitud. Si desea un conducto más largo, puede haber uno disponible para su modelo. Para verificar la disponibilidad o solicitar piezas, visite [monogram.com](http://monogram.com).

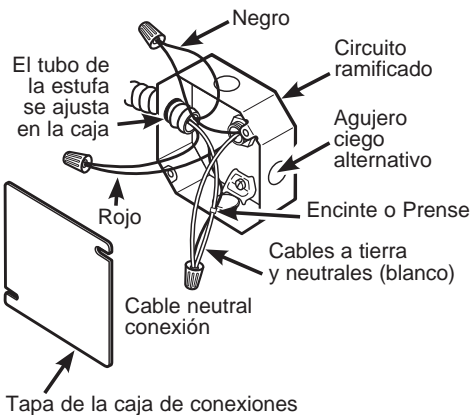
# Instrucciones de Instalación

## 6 CONEXIÓN DE CIRCUITO DERIVADO DE TRES CONDUCTORES

**NOTA:** Si los cables del hogar poseen conductores de aluminio, ver la ADVERTENCIA de la sección 5, Requisitos eléctricos.

Cuando conecte un circuito derivado de tres conductores, si lo permiten los códigos locales:

- A. Conecte el conductor de conexión a tierra junto con el cable neutro (blanco) al neutro del circuito de empalmes (de color blanco o gris), usando una tuerca para cables.
- B. Conecte el cable rojo del horno al cable rojo del circuito derivado y el cable negro del horno al cable negro del circuito derivado de acuerdo con los códigos locales, utilizando tapones de alambre.
- C. Instale una abrazadera adecuada de alivio de tensión.
- D. Instale la tapa de la caja de conexiones.

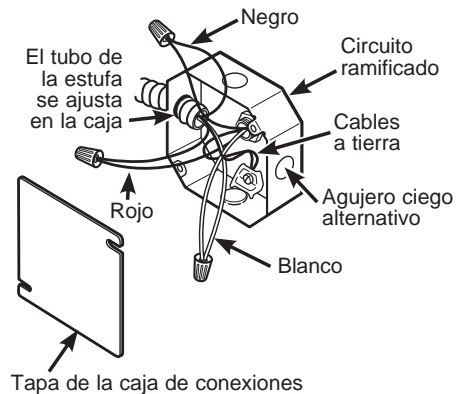


## 7 CONEXIÓN DE CIRCUITO DERIVADO DE CUATRO CONDUCTORES

**NOTA:** Si los cables domésticos son conductores de aluminio, ver la ADVERTENCIA de la sección 5, Requisitos eléctricos.

Cuando conecte un circuito derivado de cuatro conductores, si lo permiten los códigos locales:

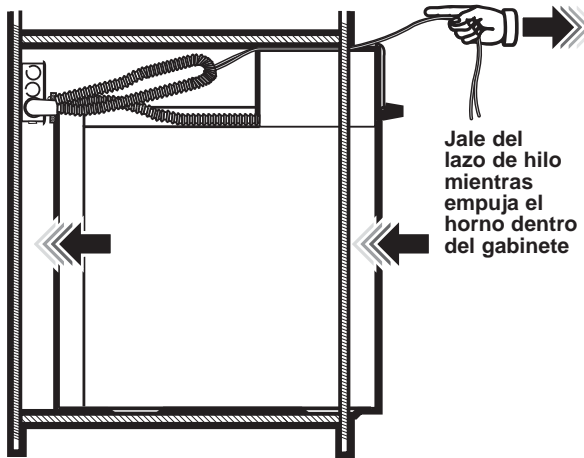
- A. Evite que el conductor neutro (blanco) quede enredado con cualquier otro cable. De ser necesario, corte el conductor neutro (blanco) y luego vuelva a pelar el mismo, a fin de exponer la longitud adecuada del conductor.
- B. Conecte el cable a tierra del aparato (verde o cobre) de acuerdo con los códigos locales.
- C. Conecte el cable neutral (blanco) del horno con el neutral de circuito derivado (blanco o gris) de acuerdo con códigos locales, utilizando un tapón de alambre.
- D. Conecte el cable rojo del horno al cable rojo del circuito derivado y el cable negro del horno al cable negro del circuito derivado de acuerdo con los códigos locales, utilizando tapones de alambre.
- E. Instale una abrazadera adecuada de alivio de tensión.
- F. Instale la tapa de la caja de conexiones.



# Instrucciones de Instalación

## 8 DESLICE EL HORNO DENTRO DE LA ABERTURA

- Enrosque (no ate) un hilo de 36" (91 cm) alrededor del conducto antes de deslizar el horno en su lugar. Esto no permitirá que el conducto caiga detrás del horno.
- Levante el horno hasta la abertura. Use las manijas de alambre extraíbles sobre los costados para levantar la unidad. No levante la unidad desde el asa o el conducto. Se requiere contar con dos personas para levantar este horno. Con cuidado, haga presión contra la estructura frontal del horno. No haga presión contra los extremos exteriores.
- Deje el horno unas pocas pulgadas por delante de la estructura frontal del gabinete. No empuje la unidad hasta el espacio libre.
- A medida que desliza el horno hacia atrás, jale del hilo para que el conducto quede sobre el horno con un lazo natural.

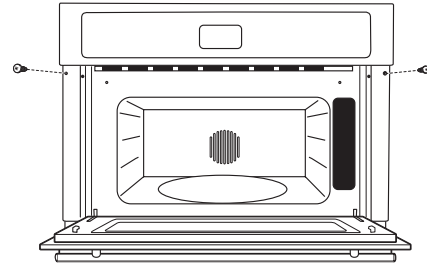


- Cuando se asegure de que el conducto no esté en el camino, deslice el horno  $\frac{3}{4}$  hacia atrás dentro de la abertura. Quite el hilo jalando de un extremo del lazo.

## 9 INSTALE LOS TORNILLOS DE MONTAJE

**⚠ ADVERTENCIA** Se deberán usar los tornillos de montaje. Si no se cumple con esto, el horno se podrá caer del gabinete ocasionando lesiones graves.

**NOTA:** Antes de realizar los agujeros piloto, asegúrese de empujar el horno tanto como sea posible hasta el fondo de la abertura y que quede centrado.



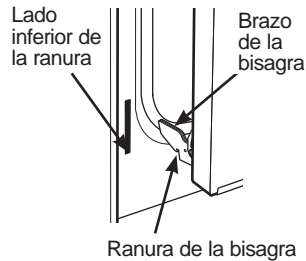
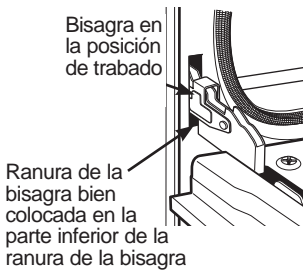
- Incline la parte superior del horno hacia usted de modo que la parte inferior de la unidad se pueda deslizar primero sobre el espacio libre.
- Deslice el horno sobre el espacio restante de la abertura, de modo que las lengüetas laterales y el panel de control se encuentren contra el marco del gabinete. Asegúrese de que el horno se encuentre centrado en la abertura.
- Abra la puerta, coloque un estante en el horno y asegúrese de que el mismo se encuentre nivelado en la unidad.
- Perfore agujeros piloto a través de las lengüetas laterales del gabinete.
- Coloque las arandelas incluidas en los tornillos de montaje y coloque los tornillos en las lengüetas laterales. Se recomienda ajustar los tornillos de forma manual.

# Instrucciones de Instalación

## 10 REEMPLAZO DE LA PUERTA TÉRMICA DEL HORNO

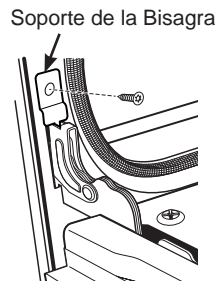
**NOTA:** La puerta del horno es pesada. Puede necesitar ayuda para levantar la puerta lo suficiente como para deslizarla dentro de las ranuras de la bisagra. No levante la puerta de la manija.

- A. Levante la puerta del horno tomándola de ambos lados.
- B. Con la puerta en el mismo ángulo de la posición de remoción (aproximadamente 1"-2" [2,5 cm-5,1 cm] desde la posición de cerrado), introduzca la muesca del brazo de la bisagra dentro del extremo inferior de la ranura de la bisagra. La ranura del brazo de la bisagra debe estar bien colocada en la parte inferior de la ranura.
- C. Abra la puerta por completo. Si la puerta no se abre por completo, la muesca no está bien colocada en el extremo inferior de la ranura.
- D. Presione las trabas de la bisagra hacia arriba contra el armazón frontal de la cavidad del horno, hasta alcanzar la posición de trabado.



- E. Reemplace el soporte de la bisagra, si se cuenta con el mismo, para asegurar el correcto funcionamiento de la puerta.

- F. Cierre la puerta del horno.



## 11 LISTA DE CONTROL FINAL DE LA INSTALACIÓN

- Verifique que el interruptor de circuitos se encuentre cerrado (RESET) o que los fusibles del circuito se hayan reemplazado.
- Asegúrese de que haya suministro eléctrico en el edificio.
- Controle que se haya quitado todo el material de empaque y la cinta adhesiva. No quitar estos materiales puede provocar daños al electrodoméstico una vez que el aparato se haya encendido y las superficies se hayan calentado.
- Quite todos los elementos ubicados dentro del horno.
- Asegúrese de que los tornillos de montaje se encuentren instalados y nivelados con el reborde lateral (ver sección 9).
- Si corresponde, instale las manijas siguiendo las instrucciones de instalación de las mismas y controle que ambos extremos se encuentren asegurados.

## LISTA DE CONTROL DE FUNCIONAMIENTO

- Active el encendido desde la fuente. La luz interior se deberá encender cuando se abra la puerta.
- Cuando se envíe corriente a la unidad por primera vez, el control pasará por un proceso de configuración inicial. Estas configuraciones se podrán modificar en cualquier momento. Consulte la sección SETTINGS (Configuraciones). Durante esta configuración inicial, utilice las teclas con flechas y el teclado SELECCIONADO para seguir las instrucciones del control del horno.
- Para acceder a las instrucciones de funcionamiento de la lista de solución de problemas, consulte el Manual del Propietario.
- Asegúrese de que todos los controles del horno se encuentren en OFF (apagado) antes de dejar el horno.

**NOTA:** Al realizar las instalaciones descritas en este libro, se deberán usar anteojos o gafas de seguridad.

**NOTA:** Monogram Appliances se esfuerza de forma constante para mejorar sus productos. Por lo tanto, los materiales, el aspecto y las especificaciones están sujetos a cambios sin aviso previo