



OWNER'S MANUAL

Stainless Steel Professional Vent Hood

Para consultar una version en español de este manual de instrucciones,
visite nuestro sitio de internet Monogram.com.

Pour obtenir une version française de ce manuel,
visitez notre site Web sur Monogram.com.

TABLE OF CONTENTS

MODEL INFORMATION	2
CONSUMER SUPPORT	3
SAFETY INFORMATION	4
CONTROLS AND FEATURES	5
CARE AND CLEANING	6
For Your Safety	6
Baffle Grease Filters and Drip Trays	6
Stainless Steel Surfaces	7
Light Bulbs	7
Warming Lamps	7
TROUBLESHOOTING	8
ACCESSORIES	10
MONOGRAM LIMITED WARRANTY	11

MODEL INFORMATION

MODEL NUMBERS

ZV36, ZV48

WRITE DOWN THE MODEL AND SERIAL NUMBERS

You'll find them on a label on the hood..

Please write these numbers here:

Model Number

Serial Number

Use these numbers in any correspondence or service calls concerning your appliance.

CONSUMER SUPPORT

MONOGRAM WEBSITE

Have a question or need assistance with your appliance? Try the Monogram website 24 hours a day, any day of the year! You can also shop for more great Monogram products and take advantage of all our on-line support services designed for your convenience. In the US: monogram.com or in Canada: monogram.ca

REGISTER YOUR APPLIANCE

Register your new appliance on-line at your convenience! Timely product registration will allow for enhanced communication and prompt service under the terms of your warranty, should the need arise. You may also mail in the pre-printed registration card included in the packing material. In the US: monogram.com/register or in Canada: Prodsupport.mabe.ca/crm/Products/ProductRegistration.aspx

SCHEDULE SERVICE

Expert Monogram repair service is only one step away from your door.

To request service in the US, visit our website at monogram.com/contact or call 800.444.1845 during normal business hours.

In Canada, visit our website at monogram.ca/contact or call 888.880.3030.

REMOTE CONNECTIVITY

For assistance with wireless network connectivity (for models with remote enable), visit our website at monogram.com/connect or call 800.444.1845 in the US only.

PARTS AND ACCESSORIES

Individuals qualified to service their own appliances can have parts or accessories sent directly to their homes (VISA, MasterCard and Discover cards are accepted). Order on-line today 24 hours every day.

In the US: monogram.com/use-and-care/parts or by phone at 800.444.1845 during normal business hours.

Instructions contained in this manual cover procedures to be performed by any user. Other servicing generally should be referred to qualified service personnel. Caution must be exercised, since improper servicing may cause unsafe operation.

Customers in Canada should consult the nearest Mabe service center, visit our website at monogram.ca or call 888.880.3030.

CONTACT US

If you are not satisfied with the service you receive from Monogram, contact us on our website with all the details including your phone number, or write to:

In the US: General Manager, Customer Relations | Monogram Appliances, Appliance Park | Louisville, KY 40225
monogram.com/contact

In Canada: monogram.ca/contact

IMPORTANT SAFETY INFORMATION

READ ALL INSTRUCTIONS BEFORE USING THE APPLIANCE

▲WARNING

Read all safety instructions before using the product. Failure to follow these instructions may result in fire, electrical shock, serious injury or death.

▲WARNING

GENERAL SAFETY INSTRUCTIONS

▲WARNING

TO REDUCE THE RISK OF FIRE, ELECTRIC SHOCK OR INJURY TO PERSONS, OBSERVE THE FOLLOWING:

- A. Use this unit only in the manner intended by the manufacturer. If you have questions, contact the manufacturer.
- B. Before servicing or cleaning unit, switch power off at service panel and lock the service disconnecting means to prevent power from being switched on accidentally. When the service disconnecting means cannot be locked, securely fasten a prominent warning device, such as a tag, to the service panel.
- C. Do not use this unit with any solid-state speed control device.
- D. This unit must be grounded.

▲CAUTION

FOR GENERAL VENTILATING USE ONLY. DO NOT USE TO EXHAUST HAZARDOUS OR EXPLOSIVE MATERIALS AND VAPORS.

▲WARNING

TO REDUCE THE RISK OF INJURY TO PERSONS IN THE EVENT OF A RANGE TOP GREASE FIRE, OBSERVE THE FOLLOWING*:

- A. SMOTHER FLAMES with a close-fitting lid, cookie sheet or metal tray, then turn off the burner. BE CAREFUL TO PREVENT BURNS. If the flames do not go out immediately, EVACUATE AND CALL THE FIRE DEPARTMENT.

B. NEVER PICK UP A FLAMING PAN—You may be burned.

C. DO NOT USE WATER, including wet dishcloths or towels—a violent steam explosion will result.

D. Use an extinguisher ONLY if:

1. You know you have a Class ABC extinguisher, and you already know how to operate it.
2. The fire is small and contained in the area where it started.
3. The fire department is being called.
4. You can fight the fire with your back to an exit.

*Based on "[Kitchen Firesafety Tips](#)" published by NFPA.

▲WARNING

TO REDUCE THE RISK OF A RANGE TOP GREASE FIRE:

- A. Never leave surface units unattended at high settings. Boilovers cause smoking and greasy spillovers that may ignite. Heat oils slowly on low or medium settings.
- B. Always turn hood ON when cooking at high heat or when flambéing food (i.e. Crepes Suzette, Cherries Jubilee, Peppercorn Beef Flambé).
- C. Clean ventilating fans frequently. Grease should not be allowed to accumulate on fan or filter.
- D. Use proper pan size. Always use cookware appropriate for the size of the surface element.

▲WARNING

SERVICING

If You Need Service...

Do not attempt to repair or replace any part of the vent hood unless it is specifically recommended in this manual. All other servicing should be referred to a qualified technician.

Be sure electrical power is off before servicing the unit.

It may be necessary to remove the vent hood blower in order to service components such as the blower motor or air vent mechanism.

Disconnect power to the cooktop and remove it first. Reverse the steps in the Install the Vent Hood section in the Installation Instructions to remove the blower.

Service parts are available from a Monogram Service and Parts Center.

READ AND SAVE THESE INSTRUCTIONS

CONTROLS AND FEATURES

CONTROLS

1. Warming lamps ON/OFF switch

The warming lamps are controlled by their own rocker switch. Press the rocker switch for the warming lamps to begin heating.

2. Light control

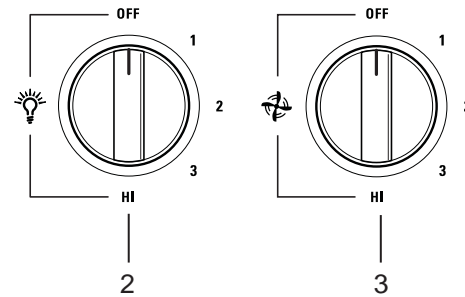
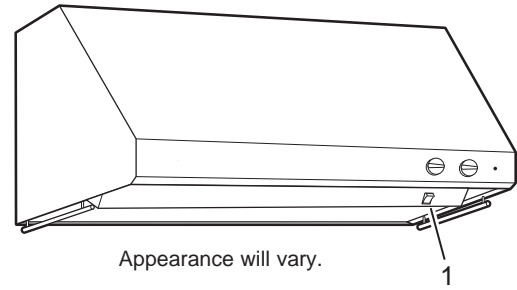
Turn the light control from OFF to HI for the brightest light while cooking.

3. Fan control

Turn the fan control speed from OFF to HI as needed.

Continuous use of the fan system while cooking helps keep the kitchen comfortable and less humid. It also reduces cooking odors and soiling moisture that create a frequent need for cleaning.

NOTE: When the fan is operating on the lowest setting, it will be very quiet. Always make sure that the fan is turned OFF when you are finished in the kitchen.



IMPLEMENT HOLDERS

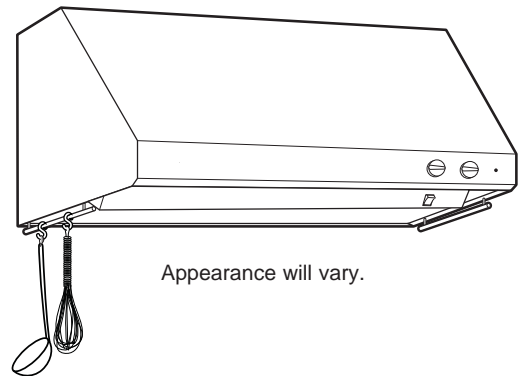
Implement holder rods are located on each side of the hood.

Use these rods to hang and display cooking utensils such as whisks, spoons, forks or any non-flammable decorative items. Frequently used small pots and pans can also hang from these rods.

⚠ WARNING

DO NOT hang flammable items from these implement rods.

DO NOT hang items weighing more than 10 pounds on either side, or 20 pounds total weight.



CARE AND CLEANING

FOR YOUR SAFETY

Before servicing or cleaning unit, switch power off at service panel and lock the service disconnecting means to prevent power from being switched on accidentally.

When the service disconnecting means cannot be locked, securely fasten a prominent warning device, such as a tag, to the service panel.

BAFFLE GREASE FILTERS AND DRIP TRAYS (on some models)

Some models have reusable metal grease baffles and drip trays.

The metal baffles channel grease released by foods on the cooktop into the drip trays. The baffles also help prevent flaming foods on the cooktop from damaging the inside of the hood.

For this reason, the baffles must **ALWAYS** be in place when the hood is used. The grease baffles and drip trays should be cleaned once a month, or as needed.

To clean the grease baffles and drip trays, drain and wipe all excess grease with a dry paper towel. Soak them and then swish them around in hot water and detergent. Don't use ammonia or ammonia products because they will darken the metal. Do not use abrasives or oven cleaners. Rinse, shake and let them dry before replacing. **They may also be cleaned in an automatic dishwasher.**

To remove:

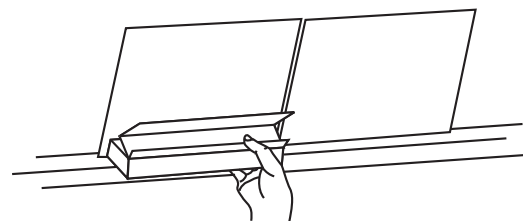
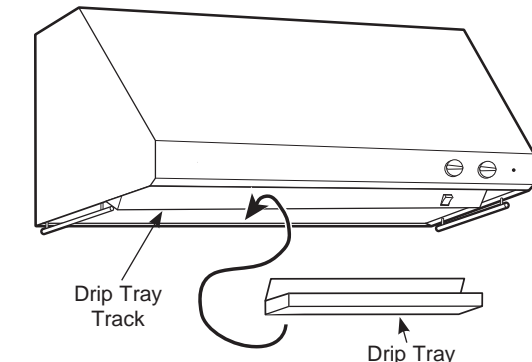
Grasp the baffle knobs and pull them up, forward and out. Grasp the drip tray and carefully lift it up and out of the hood track.

To replace the drip trays:

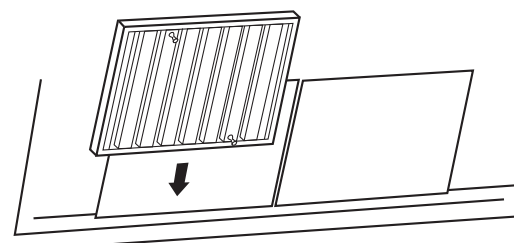
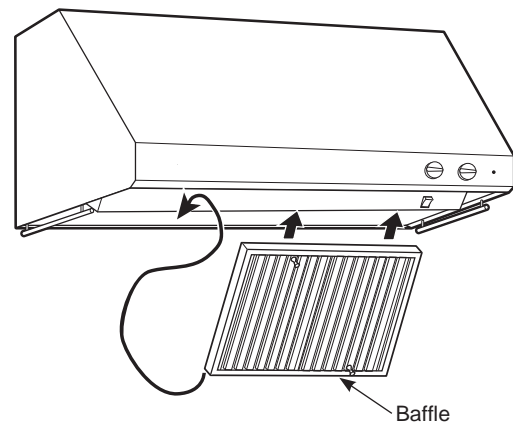
1. Place and seat the drip tray into the hood track.
2. Slide them left or right until all trays are side-by-side in place in the track.

To replace the baffles:

1. Hold the baffle at the bottom by one of the knobs .
2. Place the other end of the baffle against the inside front of the hood.
3. Slide it up and push the bottom end back until it firmly seats into place.



Drip Tray Replacement



Baffle Replacement

CARE AND CLEANING

STAINLESS STEEL SURFACES (on some models)

Do not use a steel wool pad; it will scratch the surface.

To clean the stainless steel surface, use warm sudsy water or a stainless steel cleaner or polish. Always wipe the surface in the direction of the grain. Follow the cleaner instructions for cleaning the stainless steel surface.

To inquire about purchasing stainless steel appliance cleaner or polish, or to find the location of a dealer nearest you, please call our toll-free number:

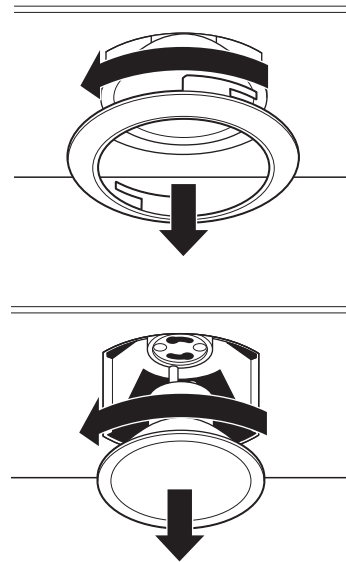
Monogram Preferred Service: 800.444.1845

Monogram.com

LIGHT BULBS

To change the light bulbs:

1. Grasp the outer trim ring and twist until reaching the unlock position. Then pull the ring straight out.
2. Grasp the bulb and twist until reaching the unlock position. Then gently pull the bulb straight out.
3. Replace with the same wattage, type and size bulb. Wear gloves. Do not touch bulb with your bare fingers. These 120 volt, 50 watt halogen bulbs with a GU10 base are available at specialty lighting stores and home building centers.
Order bulb no. WB08X10052.
4. Replace the outer trim ring by inserting the two retaining tabs into the two tab slots, pressing the ring flush with the surface of the hood insert and twisting until reaching the lock position.



WARMING LAMPS

The warming lamps are located on the underside of the hood.

These 120 volt, 175 watt, par 38 infrared heat lamp bulbs, with standard base, are available at some specialty lighting stores.

These infrared bulbs can also be ordered from your Monogram supplier.

Order bulb no. WB08X10029.

NOTE: If warming lamps are not desired, additional cooktop lighting can be obtained by replacing the infrared bulbs with standard incandescent bulbs with up to 100 watt maximum ratings, with standard bases. These bulbs are available at specialty lighting stores.

TROUBLESHOOTING

Save time and money! Review the charts on the following pages first and you may not need to call for service.

Problem	Possible Causes	What To Do
Fan and lights do not operate when the switches are turned on	The hood was never electrically connected by the installer/ electrician/ builder.	Call the electrician/installer/builder to complete the the installation. This is not covered by warranty.
	A fuse may be blown or a circuit breaker tripped.	Replace the fuse or reset the circuit breaker.
The blower does not work but the lights do	The blower motor wire harness was not connected or was not connected properly by the installer/electrician/ builder to its mating connector located inside the hood on the top surface, to the left of the blower assembly.	<ol style="list-style-type: none"> 1. Switch power off at service panel and lock the service disconnecting means to prevent power from being switched on accidentally. When the service disconnecting means cannot be locked, securely fasten a prominent warning device, such as a tag, to the service panel. 2. Remove the filters and locate the blower wire harness connector. Is it plugged into its mating connector? 3. If no, plug the blower motor connector into its mating connector on the top of the hood. Switch the power back on. Check to see if the fan now works. 4. If no, check the circuit breaker/fuse. If it is blown/tripped, replace/reset it. Does the blower work now? If no, call Monogram for service.
The blower fails to exhaust the smoke/steam/odors adequately	Many factors could be the root cause for reduced air-flow.	
	Installation could be the problem: Your hood was designed to meet specific ducting requirements. If your duct length exceeds the manufacturer's requirements, hood performance will suffer. Air-flow will also be reduced if the house duct work is too small or there are too many elbows in the system.	Contact your installer or builder.
	Obstruction in duct work could be the problem.	Make sure nothing is blocking the vent (bird nests or kinks in the duct work).
	Damper blade may not be opening.	Make sure the tape is removed from the damper blades and that it swings open freely.
	Damper blade on Wall or Roof Cap may not be opening.	Contact your builder so they can make sure the damper swings open freely.
	Dirty filters/baffles	Make sure filters (and all hood surfaces) are kept clean of grease and dirt.
	Check to be sure the filter is clean.	If replacing the filter does not correct the problem, call for service.
Sufficient makeup (replacement) air is required for exhausting appliances to operate to rating.	Check with local building codes, which may require or strongly advise the use of makeup air. Visit Monogram.com for available makeup air solutions.	

TROUBLESHOOTING

Problem	Possible Causes	What To Do
<p>The halogen/heat lamp does not work</p>	<p>The lamp or socket may be defective or a wire could be disconnected.</p>	<p>Do some trouble-shooting by removing the lamp and place it in the socket of a lamp that does work (the heat lamp will fit in the halogen socket for the purpose of checking it). Does it work now? If no, the lamp is defective. If your hood is still in-warranty, call Monogram service and ask them to mail out a new lamp. State clearly whether you need the halogen or the heat lamp. Lamps on this product are covered by warranty and are cataloged. If the hood is no longer covered by warranty, reference the Care and Cleaning section of this manual to see lamp requirements. Lamps can be purchased at home building stores, specialty lighting stores or through Monogram Parts. Reference the defective lamp for information as well.</p> <p>If you placed the lamp in a working socket and it does illuminate, the original socket may be defective or a wire may be disconnected. Call Monogram for service.</p>
<p>Part is missing/damaged/ defective</p>	<p>In the unlikely event that a part would be missing, damaged or defective, we can serve you, the consumer, quickly by mailing these parts to you. We have identified several easy-to-install parts.</p>	<p>These include: Lamps, lamp bezels, filters, baffles, grease trays, knobs, utensil rods, Owner's Manual and Installation Instructions.</p> <p>Call Monogram service and carefully describe your model number and the part you need. The model number is located inside the hood chassis, behind the filter/baffle.</p>
<p>Duct cover is missing</p>	<p>The duct cover is not included with the hood. It must be purchased as an accessory.</p>	<ul style="list-style-type: none"> ■ 6" duct cover for use with a 30" or 36" hood—order kit #ZX36DC6J ■ 12" duct cover for use with a 30" or 36" hood—order kit #ZX36DC12J ■ 6" duct cover for use with a 48" hood—order kit #ZX48DC6J ■ 12" duct cover that works with a 48" hood—order kit #ZX48DC12J <p>Call Monogram Parts. See Consumer Service page in this manual for a list of phone numbers.</p>
<p>Installation part is missing/ damaged/ defective</p>	<p>We provide a 10" round, vertical duct transition. This part can be mailed out to the hood installer if it is in some way unusable. All other duct transitions, elbows, etc must be purchased locally. We can also mail out many other parts that come with the hood to your installer.</p>	<p>Call Monogram Service. See Consumer Service page in this manual for a list of phone numbers. Ask them to mail the parts only—no service call required.</p>

ACCESSORIES

Looking For Something More?

Monogram offers a variety of accessories to improve your cooking and maintenance experiences!

Refer to the Consumer Support page for phone numbers and website information.

The following products and more are available:

Accessories

Warming Lamp

Halogen Lamp

Parts

Baffle

Drip Tray

Cleaning Supplies

CitruShine™ Stainless Steel Wipes

Stainless Steel Appliance Cleaner

MONOGRAM LIMITED WARRANTY

Monogram.com

All warranty service is provided by our Factory Service Centers, or an authorized Customer Care® technician. To schedule service online, visit us at monogram.com/contact. In Canada, visit monogram.ca.

Servicing your range hood may require the use of the onboard data port for diagnostics. This gives a Monogram Factory Service technician the ability to quickly diagnose any issues with your appliance and helps Monogram improve its products by providing Monogram with information on your appliance. If you do not want your appliance data to be sent to Monogram, please advise your technician NOT to submit the data to Monogram at the time of service.

For the period of	Monogram Appliances will replace
Limited two-year warranty	For two years from date of original purchase, we will provide, free of charge, parts and service labor in your home to repair or replace any part of the vent hood that fails because of a manufacturing defect.

What Monogram will not cover:

- Service trips to your home to teach you how to use the product.
- Replacement of house fuses or resetting of circuit breakers.
- Failure of the product if it is used for other than its intended purpose or used commercially.
- Improper installation, delivery or maintenance.
- Replacement of the replaceable filters.
- Damage to the product caused by accident, fire, floods or acts of God.
- Incidental or consequential damage caused by possible defects with this appliance.
- Damage caused after delivery.
- Product not accessible to provide required service.
- Installation or service for a makeup (replacement) air system.

EXCLUSION OF IMPLIED WARRANTIES

Your sole and exclusive remedy is product repair as provided in this Limited Warranty. Any implied warranties, including the implied warranties of merchantability or fitness for a particular purpose, are limited to one year or the shortest period allowed by law.

This warranty is extended to the original purchaser and any succeeding owner for products purchased for ordinary home use in the 48 mainland states, Hawaii, Washington, D.C. or Canada. If the product is located in an area where service by a Monogram Authorized Servicer is not available, you may be responsible for a trip charge or you may be required to bring the product to an Authorized Monogram Service location for service. In Alaska the warranty is the same except that it is LIMITED because you must pay to ship the product to the service shop or for the service technician's travel costs to your home.

Some states do not allow the exclusion or limitation of incidental or consequential damages. This limited warranty gives you specific legal rights, and you may also have other rights which vary from state to state. To know what your legal rights are, consult your local or state consumer affairs office or your state's Attorney General.

Warrantor: GE Appliances, a Haier company, Louisville KY,40225

Warrantor in Canada: MC Commercial, Burlington, ON, L7R 5B6

Staple your receipt here. Proof of the original purchase date is needed to obtain service under the warranty.

49-2000857 Rev. 0

10-20 GEA

Printed in Italy

12





MANUEL D'UTILISATION

**Hotte aspirante en acier
inoxydable professionnelle**

FRANÇAIS

TABLE OF CONTENTS

RENSEIGNEMENTS CONCERNANT LE MODÈLE	2
SOUTIEN AU CONSOMMATEUR	3
RENSEIGNEMENTS CONCERNANT LA SÉCURITÉ	4
CONTRÔLES ET FONCTIONS	5
ENTRETIEN ET NETTOYAGE	6
Pour Votre Sécurité	6
Déflecteurs de filtrage de graisse et plateaux d'égouttage	6
Surfaces en acier inoxydable	7
Ampoules	7
Lampes chauffantes	7
DÉPANNAGE	8
ACCESSOIRES	10
GARANTIE LIMITÉE DE MONOGRAM	11

RENSEIGNEMENTS CONCERNANT LE MODÈLE

NUMÉROS DE MODÈLES

ZV36, ZV48

ÉCRIVEZ LE MODÈLE ET LES NUMÉROS DE SÉRIE

Vous les trouverez sur l'étiquette de la hotte.

Utilisez ces numéros pour toute correspondance ou tout appel de service concernant votre hotte.

Veillez écrire ces numéros ici :

Numéro du modèle

Numéro de série

SOUTIEN AU CONSOMMATEUR

SITE WEB DE MONOGRAM

Vous avez des questions ou besoin d'aide avec votre réfrigérateur? Essayez le site Web de Monogram. Ce site est disponible 24 heures par jour, et tous les jours de l'année! Vous pouvez aussi magasiner d'autres magnifiques produits Monogram et profiter de tous les services de soutien en ligne conçus pour votre commodité. Aux É.-U. : monogram.com. Au Canada : monogram.ca

ENREGISTREZ VOTRE ÉLECTROMÉNAGER

Enregistrez votre nouvel appareil en ligne au moment qui vous convient le mieux! L'enregistrement de votre produit dans les délais prescrits permet une meilleure communication et un service rapide, selon les modalités de votre garantie, si besoin est. Vous pouvez également envoyer par courrier la carte d'enregistrement pré-imprimée qui se trouve dans l'emballage de votre appareil.

Aux États-Unis : monogram.com

Au Canada : Prodsupport.mabe.ca/crm/Products/ProductRegistration.aspx

SERVICE DE RÉPARATION

Un service de réparation expert GE Appliances se trouve à quelques pas de chez vous. Rendez-vous sur notre site et programmez, à votre convenance, une visite de réparation à n'importe quel jour de l'année.

Aux États-Unis : monogram.com ou composez le 800.444.1845 durant les heures normales de bureau.

Au Canada : monogram.ca ou composez le 888.880.3030

CONNEXION À DISTANCE

Pour de l'assistance concernant la connexion à un réseau sans fil (modèles équipés de cette fonction), visitez notre site sur monogram.com ou composez le 800.444.1845 aux États-Unis seulement.

PIÈCES ET ACCESSOIRES

Les personnes qualifiées pour réparer leurs propres appareils peuvent commander des pièces détachées et des accessoires et les faire envoyer directement à leur domicile (les cartes VISA, MasterCard et Discover sont acceptées). Commandez en ligne 24 heures par jour.

Aux États-Unis : monogram.com/use-and-care/parts ou par téléphone au 800.444.1845 durant les heures normales de bureau.

Les instructions contenues dans le présent manuel comportent des procédures que tout utilisateur peut effectuer. Les autres types de réparation doivent généralement être confiés à un technicien qualifié. Usez de prudence : une réparation ou un entretien mal effectués peuvent rendre l'utilisation de l'appareil dangereuse.

Les consommateurs au Canada doivent consulter le centre de service Mabe le plus proche, visiter notre site Web sur monogram.ca ou composer le 888.880.3030.

COMMUNIQUEZ AVEC NOUS

Si vous êtes insatisfait du service reçu par Monogram, communiquez avec nous par l'entremise de notre site Web en mentionnant tous les détails y compris votre numéro de téléphone, ou écrivez :

Aux É.-U. : Directeur général, relations à la clientèle | Monogram Appliances, Appliance Park | Louisville, KY 40225

monogram.com/contact

Au Canada: monogram.ca/contact

RENSEIGNEMENTS IMPORTANTS CONCERNANT LA SÉCURITÉ

LISEZ TOUTES LES INSTRUCTIONS AVANT D'UTILISER LA HOTTE

⚠ AVERTISSEMENT

Veillez lire toutes les consignes avant d'utiliser ce produit. Le non-respect de ces instructions pourrait entraîner un incendie, un choc électrique, une blessure grave voire la mort.

⚠ AVERTISSEMENT

CONSIGNES GÉNÉRALES DE SÉCURITÉ

⚠ AVERTISSEMENT

POUR RÉDUIRE LE RISQUE D'INCENDIE, DE SECOUSSE ÉLECTRIQUE OU DE BLESSURE CORPORELLE, OBSERVEZ LES PRÉCAUTIONS SUIVANTES :

- A. N'utilisez cet appareil que de la manière prévue par le fabricant. Si vous avez des questions, appelez le fabricant.
- B. Avant de réparer ou de nettoyer votre appareil, débranchez le courant au niveau du panneau de service et verrouillez les mécanismes de débranchement de service pour éviter tout branchement accidentel au courant. Si vous ne pouvez pas verrouiller les mécanismes de débranchement de service, attachez soigneusement un avertissement bien visible, comme une étiquette, au panneau de service.
- C. N'utilisez jamais cet appareil avec un mécanisme de réglage de la vitesse à semi-conducteurs.
- D. Cet appareil doit être bien mis à la terre.

⚠ ATTENTION

UNIQUEMENT À USAGE DE VENTILATION GÉNÉRALE. N'UTILISEZ JAMAIS POUR L'ÉCHAPPEMENT DE MATIÈRES ET DE VAPEURS EXPLOSIVES.

⚠ AVERTISSEMENT

POUR RÉDUIRE LE RISQUE DE BLESSURE CORPORELLE SI DE LA GRAISSE PREND FEU SUR LA SURFACE DE CUISSON DU FOUR, SUIVEZ LES INSTRUCTIONS SUIVANTES* :

- A. ÉTOUFFEZ LES FLAMMES avec un couvercle qui convient, une tôle à biscuits ou un plateau en métal, puis éteignez le brûleur. FAITES BIEN ATTENTION DE NE PAS VOUS BRÛLER. Si les flammes ne s'éteignent pas immédiatement, SORTEZ ET APPELEZ LES POMPIERS.
- B. NE DÉPLACEZ JAMAIS UNE CASSEROLLE QUI FLAMBE—Vous pouvez vous brûler.

C. N'UTILISEZ JAMAIS D'EAU, en particulier de serviette ou de chiffon mouillé—il se produira une explosion violente de vapeur brûlante.

D. N'UTILISEZ UN EXTINCTEUR que si :

1. Vous avez un extincteur de classe ABC et vous savez comment l'utiliser;
2. Le feu est réduit et confiné à l'endroit où il a commencé;
3. Vous avez déjà appelé les pompiers;
4. Vous combattez les flammes en tournant le dos à une sortie.

* Basé sur l'ouvrage intitulé «Kitchen Fire Safety Tips» publié par la NFPA.

⚠ AVERTISSEMENT

RÉDUISEZ LE RISQUE D'UN FEU DE GRAISSE SUR LA SURFACE DE CUISSON DU FOUR :

- A. Ne laissez jamais sans surveillance les unités de cuisson de surface à une température élevée. Le bouillonnement occasionne des débordements fumants et grasseux qui peuvent prendre feu. Chauffez à feu doux les substances huileuses, avec un réglage bas ou moyen.
- B. Ne préparez pas des mets flambés sur la cuisinière. Si vous préparez des mets flambés sous la hotte, mettez le ventilateur en marche.
- C. Nettoyez les mécanismes de ventilation fréquemment. Il ne faut pas permettre une accumulation de graisse sur le ventilateur ou sur le filtre.
- D. Utilisez une casserole de bonne taille. Utilisez toujours un ustensile de cuisine qui convienne au diamètre de l'élément de cuisson.

⚠ AVERTISSEMENT

RÉPARATIONS

Si une réparation est nécessaire...

Ne tentez pas de réparer ni de remplacer une pièce de la hotte aspirante sauf s'il s'agit d'une instruction précise de ce manuel. Toutes les autres interventions doivent être exécutées par un technicien qualifié.

Assurez-vous de couper l'alimentation électrique avant de réparer l'appareil.

L'enlèvement du ventilateur de la hotte aspirante peut s'avérer

nécessaire pour une réparation de composants tels que le moteur du ventilateur ou le mécanisme de l'évent.

En premier lieu, débranchez l'alimentation électrique à la table de cuisson puis retirez cette dernière. Ensuite, inversez les étapes de la section Installation de la hotte aspirante des instructions d'installation pour enlever le ventilateur.

Les pièces de rechange sont disponibles depuis un Centre de réparation et de pièces Monogram.

LIRE ET CONSERVER CES INSTRUCTIONS

COMMANDES ET FONCTIONS

COMMANDES

1. Interrupteur Marche/Arrêt des lampes chauffantes

Les lampes chauffantes sont commandées par leur propre interrupteur basculant. Appuyez sur l'interrupteur pour allumer les lampes chauffantes

2. Commande de la lampe d'éclairage

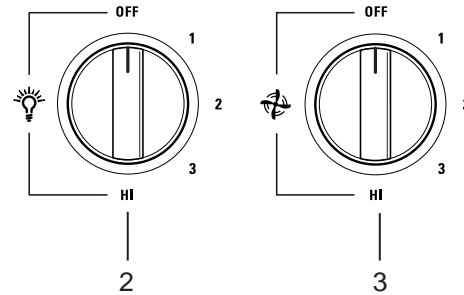
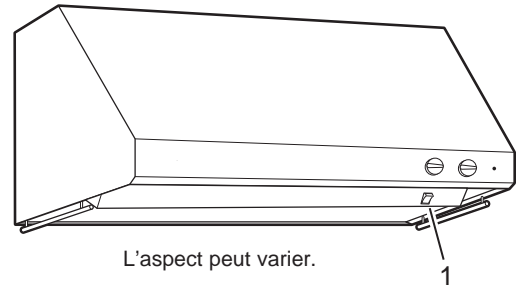
Tournez la commande de OFF (Arrêt) à HI (Élevé) pour obtenir l'éclairage le plus puissant durant la cuisson.

3. Commande du ventilateur

Tournez la commande de vitesse du ventilateur de OFF (Arrêt) à HI (Élevé) selon vos besoins.

L'utilisation constante du système de ventilation durant la cuisson contribue à garder la cuisine confortable et moins humide. Cela réduit aussi les odeurs de cuisson et l'humidité grasseuse qui exige des nettoyages fréquents.

REMARQUE : Le ventilateur est très silencieux lorsqu'il fonctionne à la plus basse vitesse. Assurez-vous de toujours l'éteindre (OFF) lorsque vous avez terminé de cuisiner.



SUPPORTS POUR USTENSILES

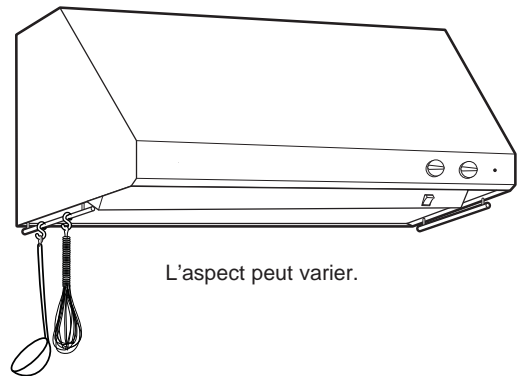
Les tringles des supports pour ustensiles sont situées de chaque côté de la hotte.

Utilisez ces tringles pour accrocher et exhiber des ustensiles de cuisson tels que fouets, louches, fourchettes ou tout article décoratif ininflammable. Vous pouvez aussi y suspendre les casseroles et les poêles fréquemment utilisées.

⚠ AVERTISSEMENT

NE suspendez PAS d'articles inflammables sur ces tringles pour ustensiles.

NE suspendez PAS d'articles pesant plus de 10 lb (4,5 kg) sur un côté ou l'autre, ou 20 lb au total.



NETTOYAGE ET ENTRETIEN

POUR VOTRE SÉCURITÉ

Avant de réparer ou nettoyer l'appareil, coupez le courant au panneau électrique et verrouillez celui-ci pour prévenir la remise sous tension accidentelle. Si le verrouillage est impossible,

fixez solidement une étiquette de mise en garde sur le panneau électrique.

DÉFLECTEURS DE FILTRAGE DE GRAISSE ET PLATEAUX D'ÉGOUTTAGE (certains modèles)

Certains modèles sont dotés de déflecteurs métalliques réutilisables et de plateaux d'égouttage.

Les déflecteurs métalliques canalisent la graisse de cuisson dans les plateaux d'égouttage. Les déflecteurs contribuent aussi à prévenir les aliments enflammés sur la table de cuisson d'endommager l'intérieur de la hotte.

Pour cette raison, les déflecteurs doivent **TOUJOURS** être en place lorsque la hotte est en fonction. Les déflecteurs de graisse et les plateaux d'égouttage doivent être nettoyés une fois par mois ou au besoin.

Pour nettoyer les déflecteurs de graisse et les plateaux d'égouttage, vidangez et essuyez la graisse excédentaire à l'aide d'un essuie-tout sec. Trempez ensuite les déflecteurs puis imbibez-les d'eau chaude et de détergent. N'utilisez pas d'ammoniac ni de produits à base d'ammoniac car ils feront ternir le métal. N'utilisez pas de produits abrasifs ni de nettoyants pour le four. Rincez, secouez et laissez sécher les déflecteurs avant de les remettre en place. Ils peuvent aussi aller au lave-vaisselle.

Enlèvement :

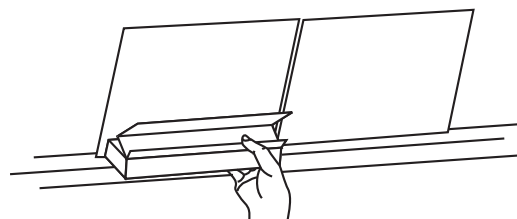
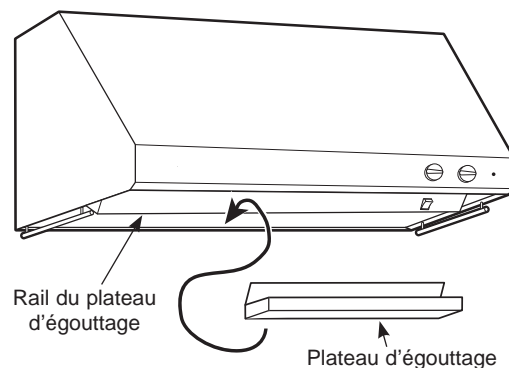
Agrippez les boutons du déflecteur et tirez-les vers le haut, vers l'avant puis vers l'extérieur. Agrippez le plateau d'égouttage, soulevez-le délicatement puis sortez-le des rails de la hotte.

Remise en place des plateaux d'égouttage :

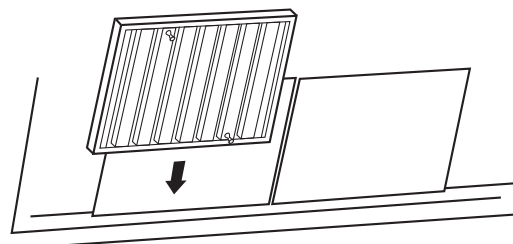
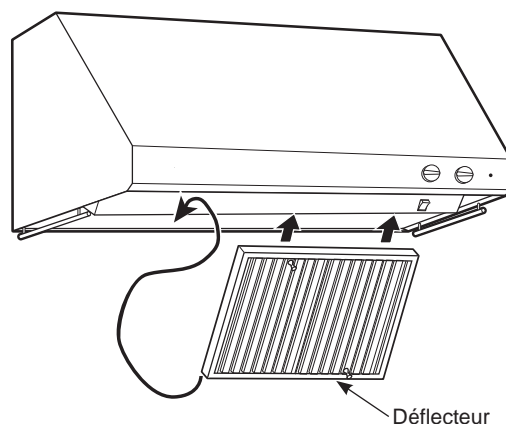
1. Placez les plateaux d'égouttage dans les rails de hotte.
2. Glissez-les vers la gauche ou la droite jusqu'à ce qu'ils soient côte à côte dans les rails.

Remise en place des déflecteurs :

1. Tenez le déflecteur dans le bas par l'un de ses boutons.
2. Placez l'autre extrémité du déflecteur contre l'intérieur du devant de la hotte.
3. Glissez-la vers le haut et poussez l'extrémité inférieure vers l'arrière jusqu'à ce qu'elle se dépose en place.



Remise en place du plateau d'égouttage



Remise en place du déflecteur

NETTOYAGE ET ENTRETIEN

SURFACES EN ACIER INOXYDABLE (certains modèles)

N'utilisez pas de tampons en laine d'acier; ils vont rayer la surface.

Pour nettoyer la surface en acier inoxydable, utilisez de l'eau chaude savonneuse ou un produit de nettoyage ou de polissage pour acier inoxydable. Essayez toujours la surface dans la direction du grain. Observez les instructions du produit pour acier inoxydable.

Pour vous renseigner sur l'achat d'un produit de nettoyage ou de polissage pour acier inoxydable, ou pour connaître l'adresse du revendeur local, veuillez composer notre numéro sans frais :

Service privilégié de Monogram : 800.444.1845

Monogram.com

AMPOULES

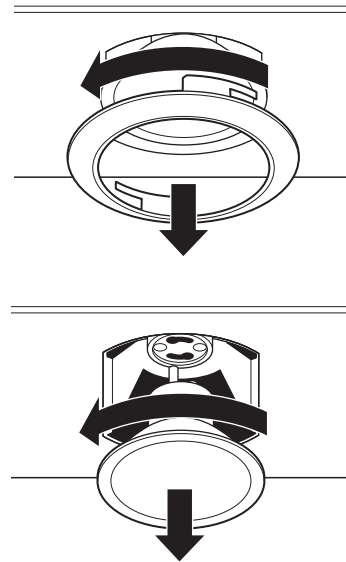
Pour remplacer les ampoules :

1. Agrippez l'anneau de garniture extérieure et tournez-le jusqu'en position de déverrouillage. Tirez ensuite sur l'anneau en ligne droite pour le sortir.
2. Agrippez l'ampoule et tournez-la jusqu'en position de déverrouillage. Tirez ensuite délicatement sur l'ampoule en ligne droite pour la sortir.
3. Remplacez par une ampoule neuve de même puissance, type et taille. Portez des gants. Ne touchez pas à l'ampoule avec les doigts nus.

Ces ampoules halogènes de 120 volts, 50 watts, avec base GU10 sont offertes chez les marchands de luminaires ou de quincaillerie.

Commandez l'ampoule no WB08X10052.

4. Remplacez l'anneau de garniture extérieure en insérant les deux languettes de retenue dans les deux fentes correspondantes, puis poussez l'anneau à égalité avec la surface de la hotte et tournez-le en position de verrouillage.



LAMPES CHAUFFANTES

Les lampes chauffantes sont situées sur le dessous de la hotte.

Les ampoules infrarouges de 120 volts, 175 watts, par 38, sont offertes chez certains marchands de luminaires.

Ces ampoules infrarouges peuvent aussi être commandées auprès de votre fournisseur Monogram.

Commandez l'ampoule no WB08X10029.

REMARQUE : Si l'on ne désire pas de lampes chauffantes, il est possible de se procurer un éclairage supplémentaire en remplaçant les ampoules infrarouges par des ampoules à incandescence d'une puissance jusqu'à 100 watts dotées d'une base standard. Ces ampoules sont offertes chez les marchands de luminaires.

TRUCS DE DÉPANNAGE

Économisez du temps et de l'argent! Consultez les tableaux des pages suivantes, et vous n'aurez peut-être pas à appeler le service à la clientèle.

Problème	Causes possibles	Que faire
Le ventilateur et les lampes ne s'allument pas lorsque les interrupteurs sont enfoncés en position de marche.	L'installateur/l'électricien/l'entrepreneur n'a jamais effectué le raccordement électrique de la hotte.	Appelez l'installateur/l'électricien/l'entrepreneur pour terminer l'installation. Cela n'est pas couvert par la garantie.
	Un fusible est grillé ou le disjoncteur est déclenché.	Remplacez le fusible ou réarmez le disjoncteur.
Le ventilateur ne fonctionne pas mais les lampes fonctionnent	L'installateur/l'électricien/l'entrepreneur n'a pas branché (ou incorrectement) le faisceau de fils du moteur de la hotte sur les connecteurs correspondants situés sur la surface supérieure de l'intérieur de la hotte, à la gauche du ventilateur.	<ol style="list-style-type: none"> 1. Coupez le courant au panneau électrique et verrouillez-le pour prévenir sa remise en service accidentelle. Si le verrouillage du panneau électrique est impossible, apposez solidement une étiquette de mise en garde bien en vue sur celui-ci. 2. Retirez les filtres et repérez le connecteur du faisceau de fils du ventilateur. Est-il bien branché dans le connecteur correspondant? 3. Si ce n'est pas le cas, branchez le connecteur du moteur du ventilateur dans le connecteur correspondant dans le haut de la hotte. Rétablissez le courant électrique. Vérifiez si le ventilateur fonctionne. 4. Si ce n'est pas le cas, il peut s'agir d'un fusible grillé qu'il faut remplacer ou du disjoncteur déclenché qu'il faut réarmer. Le ventilateur fonctionne-t-il maintenant? Si la réponse est toujours négative, faites un appel de service auprès de Monogram.
Le ventilateur n'évacue pas la fumée/vapeur/odeurs adéquatement	La cause d'une réduction du débit d'air peut être due à plusieurs facteurs.	
	L'installation : votre hotte a été conçue pour répondre à des critères spécifiques concernant les conduits d'évacuation. Si la longueur de conduit excède les spécifications du fabricant, le rendement de la hotte peut en souffrir. Le débit sera aussi moindre si le système de conduits du domicile est trop petit ou s'il comporte trop de coudes.	Communiquez avec l'installateur ou l'entrepreneur.
	Obstruction	Assurez-vous que rien n'obstrue l'évent (nids d'oiseau ou déformations dans le système de conduits).
	Registre	Assurez-vous que le ruban adhésif a été retiré des lames du registre et que celles-ci s'ouvrent librement.
	Une lame de registre sur le mur ou le chapeau de toit ne s'ouvre pas.	Communiquez avec l'entrepreneur pour qu'il fasse en sorte que le registre s'ouvre librement.
	Filtres/défecteurs encrassés	Assurez-vous que les filtres (et toutes les surfaces de la hotte) soient toujours exempts de graisse et de saleté.
	Vérifiez la propreté du filtre	Si le remplacement du filtre ne résout pas le problème, faites un appel de service.
Un débit d'air de compensation (de remplacement) suffisant est requis pour que les appareils d'évacuation fonctionnent comme prévu.	Consultez les codes de construction locaux, ceux-ci peuvent exiger ou fortement recommander la présence d'air de compensation. Visitez Monogram.com pour connaître les solutions en matière d'air de compensation.	

TRUCS DE DÉPANNAGE

Problème	Causes possibles	Que faire
La lampe halogène/chauffante ne fonctionne pas	L'ampoule ou la douille est défectueuse ou un fil est débranché.	<p>Faites une vérification en retirant la lampe pour la mettre dans la douille d'une autre lampe qui fonctionne (la lampe chauffante conviendra à une douille halogène pour vérification). Cela fonctionne-t-il maintenant? Si ce n'est pas le cas, la lampe est défectueuse. Si la hotte est toujours sous garantie, appelez l'assistance Monogram et demandez une nouvelle lampe livrée par la poste. Indiquez clairement s'il faut une lampe halogène ou chauffante. Ces lampes sont couvertes par la garantie et figurent au catalogue. Si la hotte n'est plus sous garantie, consultez la section Entretien et nettoyage de ce manuel pour connaître les caractéristiques de la lampe défectueuse. Vous pourrez vous en procurer chez les marchands de matériaux de construction ou de luminaires, ou auprès du centre des pièces Monogram. Dans l'un ou l'autre choix, munissez-vous des renseignements sur la lampe.</p> <p>Si vous avez placé la lampe dans une douille qui fonctionne et qu'elle s'allume, il se peut que la douille initiale soit défectueuse ou qu'un fil soit débranché. Faites un appel de service auprès de Monogram.</p>
Une pièce est manquante/ endommagée/défectueuse	Dans le cas assez improbable où une pièce serait manquante, endommagée ou défectueuse, nous pouvons vous servir rapidement, vous le consommateur, en vous faisant parvenir la pièce par la poste. Nous avons identifié plusieurs pièces faciles à installer.	<p>Mentionnons :</p> <p>Lampes, anneaux de lampe, filtres, déflecteurs, plateaux à graisse, boutons, tringles pour ustensiles, manuels du propriétaire et instructions d'installation.</p> <p>Appelez le centre de service Monogram et mentionnez distinctement votre numéro de modèle et la pièce qu'il vous faut. Le numéro de modèle figure à l'intérieur du châssis de la hotte, derrière le filtre/ déflecteur.</p>
Le couvercle du conduit est manquant	Le couvercle du conduit n'est pas inclus avec la hotte. On doit se le procurer en tant qu'accessoire.	<ul style="list-style-type: none"> ■ Couvercle de conduit 6 po pour hotte de 30 ou 36 po – commandez l'ensemble #ZX36DC6J ■ Couvercle de conduit 12 po pour hotte de 30 ou 36 po – commandez l'ensemble #ZX36DC12J ■ Couvercle de conduit 6 po pour hotte de 48 po – commandez l'ensemble #ZX48DC6J ■ Couvercle de conduit 12 po pour hotte de 48 po – commandez l'ensemble #ZX48DC12J <p>Appelez le centre des pièces Monogram. Consultez la page Service au consommateur de ce manuel pour une liste des numéros de téléphone.</p>
Une pièce d'installation est manquante/endommagée/ défectueuse	Nous fournissons un conduit de transition vertical rond de 10 po. Cette pièce peut parvenir par la poste à l'installateur de la hotte si elle est nécessaire. Tous les autres types de conduits de transition, coudés, etc., doivent être achetés localement. Nous pouvons aussi livrer par la poste plusieurs autres pièces qui viennent avec la hotte pour votre installateur.	<p>Appelez le centre de service Monogram. Consultez la page Service au consommateur de ce manuel pour une liste des numéros de téléphone. Demandez uniquement que l'on vous poste les pièces – aucune intervention de service n'est requise.</p>

ACCESSOIRES

Vous êtes à la recherche d'autres articles?

Monogram propose une variété d'accessoires afin d'améliorer votre expérience de cuisson et d'entretien!

Reportez-vous à la page du Soutien au consommateur pour des renseignements sur l'accessibilité téléphonique et en ligne.

Les produits suivants et d'autres encore sont offerts :

Accessoires

Lampe chauffante

Lampe halogène

Pièces

Défecteur

Plateau d'égouttage

Articles de nettoyage

Lingettes pour acier inoxydable CitruShine™

Nettoyant pour électroménagers en acier inoxydable

GARANTIE LIMITÉE DE MONOGRAM

Monogram.com

Tous les services au titre de la garantie sont fournis par nos centres de service ou par un technicien agréé Customer Care®. Demandez un rendez-vous en ligne pour votre réparation ou rendez-vous sur monogram.com/contact. Au Canada, visitez le site monogram.ca.

La réparation de votre hotte de cuisinière peut nécessiter l'utilisation d'un port d'accès aux données intégré pour effectuer le diagnostic. Ceci permet au technicien du centre de service de Monogram d'effectuer un diagnostic rapide des problèmes de votre hotte et d'aider Monogram à l'amélioration de ces produits par l'entremise des renseignements fournis par votre appareil. Si vous ne voulez pas que les données de votre appareil soient envoyées à Monogram, veuillez mentionner au technicien que vous NE voulez PAS que vos données soient envoyées à Monogram au moment de la réparation

Pour la période de	Monogram Appliances remplacera
Garantía limitada por dos años	Durant deux ans à partir de la date d'achat initial, nous fournirons gratuitement les pièces et la main-d'oeuvre à votre domicile, pour réparer ou remplacer n'importe quelle partie de la hotte qui serait défectueuse à cause d'un défaut de fabrication.

Ce que Monogram ne couvre pas :

- Les déplacements à domicile pour vous apprendre à utiliser l'appareil.
- Le remplacement des fusibles du domicile ou la réinitialisation des disjoncteurs.
- Une panne de l'appareil dans le cas d'une utilisation autre que celle prévue, ou d'une utilisation commerciale.
- Une installation, une livraison ou un entretien inadéquats.
- Le remplacement des filtres jetables.
- Un dommage de l'appareil provoqué par un accident, un incendie, une inondation ou un autre cas de force majeure.
- Un dommage accessoire ou indirect provoqué par d'éventuels défauts de cet appareil.
- Un dommage provoqué après la livraison.
- Un appareil non accessible pour exécuter la réparation nécessaire.
- Une installation ou un entretien pour système d'air de compensation (de remplacement).

EXCLUSION DES GARANTIES IMPLICITES

Vous ne serez en droit de solliciter que la réparation comme le prévoit la garantie limitée. Toutes les garanties implicites, y compris celles afférentes à la qualité marchande ou à l'adéquation à toute fin spécifique, sont limitées à un an, la période la plus courte légalement autorisée.

Cette garantie est étendue à l'acheteur original et à tout propriétaire successif pour les appareils achetés pour un usage domestique ordinaire dans les 48 États continentaux, à Hawaii, à Washington D.C. ou au Canada. Si cet appareil est installé dans un endroit où il n'existe pas de service agréé Monogram, vous pouvez avoir à prendre en charge les frais de transport, ou il peut vous être demandé d'apporter l'appareil dans un service Monogram agréé pour réparation. En Alaska, la garantie est la même, sauf qu'elle est LIMITÉE parce que vous devez prendre en charge les frais de transport au magasin ou les frais de déplacement du technicien du service à votre domicile.

Certains États n'autorisent pas l'exclusion ou la limitation des dommages indirects, la limitation ou l'exclusion ne vous sont pas applicables. Cette garantie vous confère des droits spécifiques, et vous disposez de droits supplémentaires qui varient d'un état à l'autre.

Pour en savoir plus sur les droits qui vous sont conférés pour un état donné, consultez le bureau d'informations pour les consommateurs le plus proche ou le procureur de votre État.

Garante: GE Appliances, a Haier company, Louisville KY, 40225

Garante en Canada: MC COMMERCIAL INC, Burlington, ON, L7R 5B6

Agrafez votre facture ici. Pour bénéficier du service de réparation sous garantie, une preuve de la date d'achat initial est nécessaire.

49-2000857 Rev. 0

10-20 GEA
Imprimé en Italie





MANUAL DEL PROPIETARIO

**Campana de Ventilación Profesional
de Acero Inoxidable**

ESPAÑOL

ÍNDICE

INFORMACIÓN DEL MODELO	2
SOPORTE AL CLIENTE	3
INFORMACIÓN DE SEGURIDAD	4
CONTROLES Y FUNCIONES	5
CUIDADO Y LIMPIEZA	6
Para su Seguridad	6
Filtros Deflectores de Grasa y Bandejas de Goteo	6
Superficies de Acero Inoxidable	7
Lámparas de Luz	7
Lámparas Calefactoras	7
SOLUCIÓN DE PROBLEMAS	8
ACCESORIOS	10
GARANTÍA LIMITADA DE MONOGRAM	11

INFORMACIÓN DEL MODELO

NÚMEROS DE MODELO

ZV36, ZV48

ESCRIBA LOS NÚMEROS DE MODELO Y SERIE

Usted puede encontrarlos en una etiqueta sobre la campana.

Use estos números en cualquier correspondencia o llamadas al servicio técnico relacionadas con su electrodoméstico.

Por favor escriba estos números aquí:

Número de Modelo

Número de Serie

SOPORTE AL CLIENTE

SITIO WEB DE MONOGRAM

¿Desea realizar una consulta o necesita ayuda con su electrodoméstico? ¡Intente a través del sitio Web de Monogram las 24 horas del día, cualquier día del año! También puede comprar más grandiosos productos de Monogram y sacar ventaja de todos nuestros servicios de soporte a través de Internet, diseñados para su conveniencia. En EE.UU.: monogram.com o en Canadá: monogram.ca

REGISTRE SU ELECTRODOMÉSTICO

¡Registre su electrodoméstico nuevo a través de Internet, según su conveniencia! Un registro puntual de su producto permitirá una mejor comunicación y un servicio más puntual de acuerdo con los términos de su garantía, en caso de surgir la necesidad. También puede enviar una carta en la tarjeta de inscripción pre impresa que se incluye con el material embalado.

En EE.UU.: monogram.com.

En Canadá: Prodsupport.mabe.ca/crm/Products/ProductRegistration.aspx

SERVICIO PROGRAMADO

El servicio de reparación de expertos de Monogram está a sólo un paso de su puerta. Conéctese a través de Internet y programe el servicio a su conveniencia cualquier día del año.

En EE.UU.: Monogram.com o comuníquese al 800.444.1845 durante el horario de atención comercial.

En Canadá: Monogram.ca o llame al 888.880.3030

CONECTIVIDAD REMOTA

Para recibir asistencia en relación a la conectividad de su red inalámbrica (para modelos con activación remota), visite nuestro sitio web en monogram.com/connect o comuníquese al 800.444.1845 en EE.UU. únicamente.

PIEZAS Y ACCESORIOS

Individuos calificados para realizar el servicio técnico de sus propios electrodomésticos podrán solicitar el envío de piezas o accesorios directamente a sus hogares (se aceptan las tarjetas VISA, MasterCard y Discover). Ordene a través de Internet durante las 24 horas del día.

En EE.UU.: monogram.com/use-and-care/parts o de forma telefónica al 800.444.1845 durante el horario de atención comercial.

Las instrucciones que figuran en este manual cubren los procedimientos que serán realizados por cualquier usuario. Otros servicios técnicos generalmente deberán ser derivados a personal calificado del servicio técnico. Se deberá tener cuidado, ya que una reparación indebida podrá hacer que el funcionamiento no sea seguro.

Los clientes de Canadá deberán consultar en el centro de servicio Mabe, visitar nuestro sitio web en monogram.ca o comuníquese al 888.880.3030.

CONTÁCTENOS

Si no se encuentra satisfecho con el servicio que recibió de Monogram, comuníquese con nosotros a través de nuestro sitio Web con todos los detalles, incluyendo su número telefónico, o escriba a:

En EE.UU.: General Manager, Customer Relations | Monogram Appliances, Appliance Park | Louisville, KY 40225
monogram.com/contact

En Canadá: monogram.ca/contact

INFORMACIÓN IMPORTANTE DE SEGURIDAD

LEA TODAS LAS INSTRUCCIONES ANTES DE USAR ESTE ELECTRODOMÉSTICO

⚠️ ADVERTENCIA

Lea todas las instrucciones de seguridad antes de utilizar este producto. No seguir estas instrucciones puede generar un incendio, una descarga eléctrica, lesiones corporales o la muerte.

⚠️ ADVERTENCIA

INSTRUCCIONES GENERALES DE SEGURIDAD

⚠️ ADVERTENCIA

A FIN DE REDUCIR EL RIESGO

DE INCENDIOS, DESCARGAS ELÉCTRICAS O LESIONES PERSONALES, CUMPLA CON LO SIGUIENTE:

- Use esta unidad sólo del modo indicado por el fabricante. Ante cualquier duda, comuníquese con el fabricante.
- Antes de realizar el servicio técnico o de limpiar la unidad, apague el interruptor del panel del servicio y bloquee el suministro del servicio a fin de evitar que la corriente se active en forma accidental. Cuando el suministro del servicio no pueda ser bloqueado, ajuste de forma segura un dispositivo de advertencia visible, tal como una etiqueta, al panel del servicio.
- No use esta unidad con ningún dispositivo de control de velocidad en estado sólido.

⚠️ PRECAUCIÓN

SÓLO PARA USO DE VENTILACIÓN GENERAL. NO LO UTILICE PARA HACER SALIR MATERIALES Y VAPORES RIESGOSOS O EXPLOSIVOS.

⚠️ ADVERTENCIA

A FIN DE REDUCIR EL RIESGO DE LESIONES SOBRE PERSONAS EN CASO DE INCENDIO DE GRASA SOBRE LA SUPERFICIE DE LA COCINA, CUMPLA CON LO SIGUIENTE*:

- APAGUE LAS LLAMAS con una tapa adherente, bandeja de galletas o bandeja metálica, y luego apague el quemador. TENGA CUIDADO A FIN DE EVITAR QUEMADURAS. Si las llamas no se apagan de inmediato, EVACÚE EL LUGAR Y LLAME AL DEPARTAMENTO DE BOMBEROS.
- NUNCA TOME UNA OLLA QUE SE ESTÉ INCENDIANDO — Puede sufrir quemaduras.

C. NO USE AGUA, , in incluyendo paños o toallas húmedas - se producirá una explosión violenta de vapor.

D. Use un extinguidor SÓLO si:

- Sabe que cuenta con un extinguidor Clase ABC, y sabe cómo usarlo.
- El incendio es pequeño y está contenido en el área donde comenzó.
- Se llamó al departamento de bomberos.
- Puede luchar contra el fuego con su espalda hacia una salida.

*Basado en "Seguridad contra Incendios en una Cocina", publicado por NFPA.

⚠️ ADVERTENCIA

A FIN DE REDUCIR EL RIESGO DE INCENDIO DE GRASA SOBRE LA SUPERFICIE DE UNA COCINA:

- Nunca descuide las unidades cuando se encuentren a altas temperaturas. Los hervores excesivos causan vapores y derrames de grasa que se pueden encender. Caliente los aceites de forma lenta en las posiciones baja o media.
- Siempre ENCIENDA la campana al cocinar con fuego alto o al flambear comidas (tales como: crepes suzette, cerezas jubileo, filetes flambeados con pimienta verde).
- Limpie las ventilaciones de forma frecuente. No se debe permitir la acumulación de grasa en el ventilador o el filtro.
- Use cacerolas de tamaño apropiado. Siempre utilice utensilios adecuados al tamaño del elemento sobre la superficie.

⚠️ ADVERTENCIA

TÉCNICO

Si necesita solicitar el servicio técnico...

No intente reparar o reemplazar ninguna pieza de la campana de ventilación, a menos que esto se recomiende específicamente en este manual. Cualquier otra reparación deberá ser realizada por un técnico calificado.

Asegúrese de que la corriente esté desconectada antes de realizar el servicio técnico de la unidad.

Es posible que sea necesario retirar el extractor de la

campana de ventilación a fin de realizar el servicio técnico de los componentes tales como el motor del extractor o el mecanismo de ventilación de aire.

Desconecte la corriente de la superficie de cocción y retire la misma primero. Invierta los pasos en la sección de Instalación de la Campana de Ventilación en las Instrucciones de Instalación para retirar el extractor.

Las piezas del servicio técnico están disponibles a través de un Centro de Servicio Técnico y Piezas de Monogram.

LEA Y GUARDE ESTAS INSTRUCCIONES

CONTROLES Y FUNCIONES

CONTROLES

1. Interruptor de ENCENDIDO/ APAGADO de las lámparas calefactores.

Las lámparas calefactoras son controladas por su propio interruptor basculante. Presione el interruptor basculante para que las lámparas calefactores comiencen a calentar.

2. Control de la luz

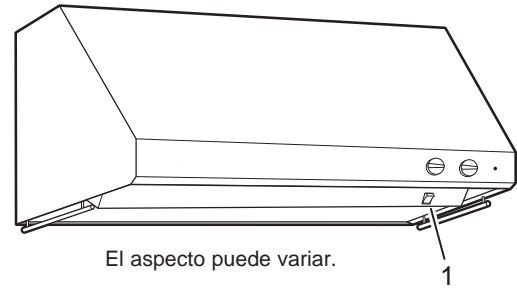
Gire el control de la luz de OFF (Apagado) a HI (Alto) para acceder a la luz más brillante mientras cocina.

3. Control del ventilador

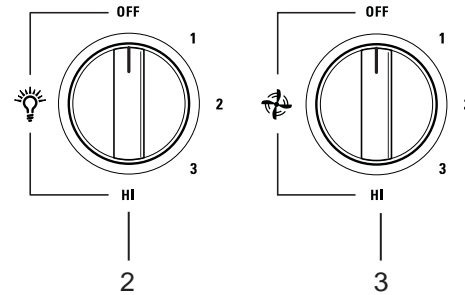
Gire de OFF (Apagado) a HI (Alto) la velocidad del control del ventilador, según sea necesario.

El uso continuo del sistema de ventilación mientras cocina ayuda a mantener la cocina confortable y menos húmeda. También reduce los olores de la cocción y la suciedad creada por la humedad que demanda una limpieza frecuente.

NOTA: Cuando el ventilador está funcionando en la configuración más baja, estará muy tranquilo. Siempre asegúrese de que el ventilador esté en OFF (Apagado) cuando termine de usar la cocina.



El aspecto puede variar.



BARRALES

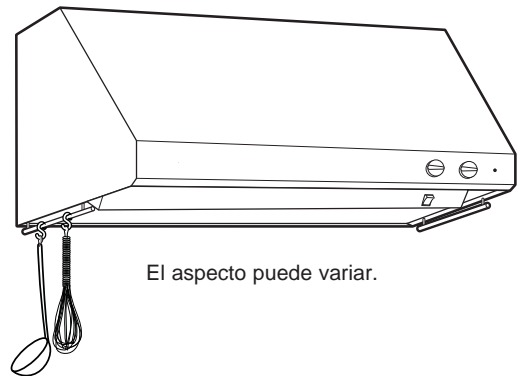
Los barrales están ubicados sobre cada lado de la campana.

Use los mismos para colgar y mostrar los utensilios de cocina tales como batidores, cucharas, tenedores y cualquier artículo decorativo no inflamable. Las pequeñas ollas y cacerolas de uso frecuente también pueden ser colgadas de estos barrales.

⚠ ADVERTENCIA

NO cuelgue artículos inflamables de estos barrales.

NO cuelgue artículos que pesen más de 10 libras sobre cada lado, o 20 libras de peso total.



El aspecto puede variar.

CUIDADO Y LIMPIEZA

PARA SU SEGURIDAD

Antes de realizar el servicio técnico o de limpiar la unidad, apague el interruptor del panel del servicio y bloquee el suministro del servicio a fin de evitar que la corriente se active en

forma accidental. Cuando el suministro del servicio no pueda ser bloqueado, ajuste de forma segura un dispositivo de advertencia visible, tal como una etiqueta, al panel del servicio.

FILTROS DEFLECTORES DE GRASA Y BANDEJAS DE GOTEO (en algunos modelos)

Algunos modelos cuentan con deflectores de grasa metálicos y bandejas de goteo.

Los deflectores metálicos desvían la grasa liberada por las comidas en la superficie de cocción sobre las bandejas de goteo. Los deflectores también evitan que las llamas de las comidas en la superficie de cocción dañen el interior de la campana.

Por esta razón, los deflectores **SIEMPRE** deben estar en el lugar correcto cuando se use la campana. Los deflectores de grasa y las bandejas de goteo deben ser limpiados una vez por mes, o cuando sea necesario.

Para limpiar los deflectores de grasa y las bandejas de goteo, drene y limpie el exceso de grasa con una toalla de papel seca. Enjuague los mismos y luego friegue a su alrededor con agua caliente y detergente. No use amoníaco ni productos de amoníaco, ya que oscurecerán el metal. No use limpiadores abrasivos ni limpiadores para horno. Enjuague, sacuda y deje secar antes de realizar el reemplazo. **También pueden ser limpiados en un lavavajillas automático.**

Para su retiro:

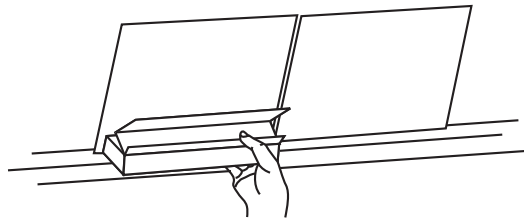
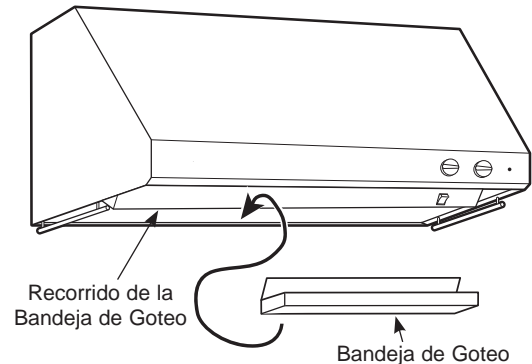
Tome las perillas del deflector y empuje las mismas hacia arriba, adelante y afuera. Tome la bandeja de goteo y con cuidado levante la misma y empuje hacia afuera del recorrido de la campana.

Para reemplazar las bandejas de goteo:

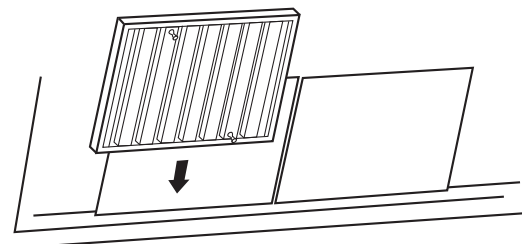
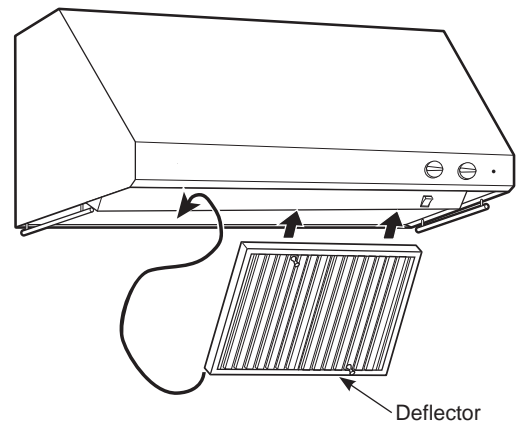
1. Coloque y apoye la bandeja de goteo en el recorrido de la campana.
2. Deslice las mismas de izquierda a derecha hasta que todas las bandejas estén colocadas una al lado de la otra sobre el recorrido.

Para reemplazar los deflectores:

1. Sostenga el deflector en la parte inferior tomando una de las perillas.
2. Coloque el otro extremo del deflector contra la parte frontal interna de la campana.
3. Deslice la misma hacia arriba y empuje el extremo inferior hacia atrás hasta que se apoye de manera firme en su posición.



Reemplazo de la Bandeja de Goteo



Reemplazo del Deflector

CUIDADO Y LIMPIEZA

SUPERFICIES DE ACERO INOXIDABLE (en algunos modelos)

No use virutas de acero; éstas dañarán la superficie.

Para limpiar la superficie de acero inoxidable, use agua tibia con jabón o un limpiador o pulidor para acero inoxidable. Siempre limpie la superficie en la dirección del veteado. Siga las instrucciones del limpiador para limpiar la superficie de acero inoxidable.

Para realizar consultas sobre la compra de limpiadores o pulidores para el artefacto de acero inoxidable, o para buscar la ubicación del vendedor minorista más cercano a su hogar, comuníquese al número gratuito:

Servicio preferido de Monogram: 800.444.1845

Monogram.com

LÁMPARAS DE LUZ

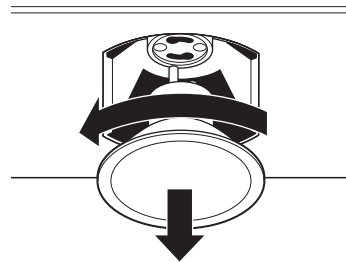
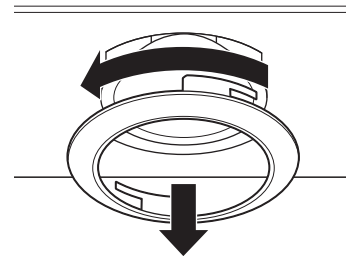
Para cambiar las lámparas de luz:

1. Tome el anillo del borde exterior y gire el mismo hasta alcanzar la posición de desbloqueo. Luego empuje el anillo hacia fuera.
2. Tome la lámpara y gire la misma hasta alcanzar la posición de desbloqueo. Luego empuje la lámpara de forma suave hacia fuera.
3. Reemplace la lámpara por otra del mismo voltaje, tipo y tamaño. Use guantes. No toque la lámpara directamente con los dedos.

Estas lámparas halógenas de 120 voltios y 50 watts con una base GU10 están disponibles en tiendas de iluminación especializadas y en centros de construcción de casas.

Ordene la lámpara n° WB08X10052.

4. Reemplace el anillo del borde exterior insertando las dos lengüetas de retención en las dos ranuras con lengüetas, presionando el anillo contra la superficie de inserción de la campana y girando hasta alcanzar la posición de bloqueo.



LÁMPARAS CALEFACTORAS

Las lámparas calefactoras están ubicadas en la parte inferior de la campana.

Estas lámparas de 120 voltios, 175 watts, calor infrarrojo par 38, con base estándar, están disponibles en algunas tiendas de iluminación especializadas.

Estas lámparas infrarrojas también pueden ser ordenadas a través de su proveedor de Monogram.

Ordene la lámpara n° WB08X10029.

NOTA: Si no desea las lámparas calefactoras, podrán obtener iluminación adicional para la superficie de cocción reemplazando las lámparas infrarrojas por lámparas incandescentes estándares de hasta un máximo de 100 watts, con bases estándares. Estas lámparas están disponibles en tiendas de iluminación especializadas.

CONSEJOS PARA LA SOLUCIÓN DE PROBLEMAS

¡Ahorre tiempo y dinero! Primero revise los cuadros que aparecen en las siguientes páginas y es posible que no necesite solicitar reparaciones. ¡Ahorre tiempo y dinero! Primero revise los cuadros que aparecen en las siguientes páginas y es posible que no necesite solicitar reparaciones.

Problema	Causas Posibles	Qué Hacer
El ventilador y las luces no funcionan cuando los interruptores están encendidos	La campana nunca fue conectada eléctricamente por el instalador/ electricista/ constructor.	Llame al electricista/ instalador/ constructor para completar la instalación. Esto no está cubierto por su garantía.
	Un fusible explotó o el disyuntor se desconectó.	Reemplace el fusible o reinicie el disyuntor.
El calefactor no funciona pero las luces sí	El arnés del motor del calefactor no estaba conectado o no fue conectado correctamente por el instalador/ electricista/ constructor a su conector correspondiente ubicado dentro de la campana sobre la superficie superior, a la izquierda del ensamble del calefactor.	<ol style="list-style-type: none"> 1. Apague el interruptor del panel del servicio y bloquee el suministro del servicio a fin de evitar que la corriente se active en forma accidental. Cuando el suministro del servicio no pueda ser bloqueado, ajuste de forma segura un dispositivo de advertencia visible, tal como una etiqueta, al panel del servicio. 2. Retire los filtros y ubique el conector del arnés del calefactor. ¿Están conectado a su conector correspondiente? 3. De no ser así, enchufe el conector del motor del calefactor a su conector correspondiente en la parte superior de la campana. Vuelva a encender la corriente. Controle que el ventilador ahora funcione. 4. De no ser así, controle el disyuntor/ fusible. Si saltó/ quedó en corto, reemplace/ reinicie. ¿Funciona el calefactor ahora? De no ser así, llame al servicio técnico de Monogram.
El calefactor no elimina el humo/ vapor/ olores inadecuados	Muchos factores podrían ser la causa de la reducción del flujo de aire.	
	La instalación podría ser el problema: Su campana fue diseñada para cubrir requisitos de conductos específicos. Si la extensión de su conducto supera los requisitos del fabricante, el rendimiento de la campana se verá afectado. El flujo de aire también se verá reducido si el funcionamiento del conducto de la casa es demasiado pequeño o hay demasiados codos en el sistema.	Contacte a su instalador o constructor.
	La obstrucción del conducto podría ser el problema.	Asegúrese de que nada esté bloqueando la ventilación (nidos de pájaros o torceduras en el conducto).
	Es posible que la paleta reguladora no se esté abriendo.	Asegúrese de que la cinta sea retirada de las paletas reguladoras y que se muevan de forma libre.
	Es posible que la paleta reguladora de la Pared o de la Tapa del Techo no se esté abriendo.	Comuníquese con el fabricante, de modo que pueda asegurarse de que las paletas reguladoras se abran de forma libre.
	Filtros/deflectores sucios	Asegúrese de que los filtros (y todas las superficies de la campana) se mantengan libres de grasa y suciedad.
	Asegúrese de que el filtro esté limpio.	Si el reemplazo del filtro no corrige el problema, llame al servicio técnico.
	Se requiere suficiente reposición (reemplazo) de aire para que los artefactos con salida de aire funcionen de acuerdo con sus calificaciones.	Controle los códigos locales de construcción, que podrán requerir o aconsejar enfáticamente el uso de reposición de aire". Para acceder a soluciones relacionadas con la reposición de aire, visite Monogram.com .

CONSEJOS PARA LA SOLUCIÓN DE PROBLEMAS

Problema	Causas Posibles	Qué Hacer
La Lámpara Halógena/ Calefactora No Funciona	Es posible que la lámpara o ficha presente defectos o que un cable esté desconectado.	<p>Realice una prueba retirando la lámpara o colocando la misma en la ficha de la lámpara que no funciona (la lámpara calefactora coincidirá con la ficha halógena para el propósito de controlar la misma). ¿Funciona ahora? Si no es así, la lámpara presenta defectos. Si su campana aún está en garantía, llame al servicio técnico de Monogram y solicite el envío de una lámpara nueva. Explique claramente si necesita una lámpara halógena o una calefactora. Las lámparas en este producto están cubiertas por la garantía y figuran en el catálogo. Si la campana ya no está cubierta por la garantía, consulte la sección de Cuidado y Limpieza de este manual para conocer los requisitos de las lámparas. Las lámparas pueden ser adquiridas en tiendas de construcción de casas, en tiendas de iluminación especializadas o a través de Piezas de Monogram. Dé también como referencia la lámpara que presenta defectos para obtener información.</p> <p>Si colocó la lámpara en una ficha que funciona y no ilumina, es posible que la ficha original presente defectos o que un cable esté desconectado. Llame al servicio técnico de Monogram.</p>
Pieza Faltante/ Dañada/ Defectuosa	En el improbable caso de que haya una pieza faltante, dañada o defectuosa, le podemos brindar nuestro servicio a usted, el consumidor, de forma rápida enviándole estas piezas por correo. Hemos identificado varias piezas de fácil instalación.	<p>Estas incluyen: Lámparas, biseles, filtros, deflectores, bandejas de grasa, perillas, barrales para utensilios, Manual del Usuario e Instrucciones de Instalación.</p> <p>Llame al servicio técnico de Monogram y de forma detenida describa su número de modelo y la pieza que necesita. El número de modelo está ubicado dentro del chasis de la campana, detrás del filtro/ deflector.</p>
Falta La Tapa Del Conducto	La tapa del conducto no está incluida con al campana. Debe ser adquirida como un accesorio.	<ul style="list-style-type: none"> ■ Tapa del conducto de 6" para uso con una campana de 30" o 36"– ordene el kit n° ZX36DC6J ■ Tapa del conducto de 12" para uso con una campana de 30" o 36"– ordene el kit n° ZX36DC12J ■ Tapa del conducto de 6" para uso con una campana de 48"– ordene el kit n° ZX48DC6J ■ Tapa del conducto de 12" para uso con una campana de 48"– ordene el kit n° ZX48DC12J <p>Llame a Monogram Parts (Piezas de Monogram). Para acceder a una lista de número telefónicos, consulte la página de Servicios para el Consumidor en este manual.</p>
Pieza De Instalación Faltante/ Dañada/ Defectuosa	Brindamos una transición para el conducto vertical y redondeada de 10". Esta pieza puede ser enviada por correo al instalador de la campana, si de algún modo no puede ser usada. Las demás transiciones del conducto, codo, etc. deben ser adquiridas localmente. También le podemos enviar muchas otras piezas incluidas con la campana a su instalador.	Llame al Servicio Técnico de Monogram. Para acceder a una lista de número telefónicos, consulte la página de Servicios para el Consumidor en este manual. Solicite que sólo le envíen las piezas por correo – no es requerida ninguna llamada por el servicio técnico.

ACCESORIOS

¿Busca Algo Más?

¡Monogram ofrece una variedad de accesorios para mejorar sus experiencias de cocción y mantenimiento!

Para acceder a números telefónicos e información de sitios Web, consulte la página de Soporte para el Consumidor.

Estos y otros productos están disponibles:

Accesorios

Lámparas Calefactoras

Lámpara Halógena

Piezas

Deflector

Bandeja de Goteo

Suministros de Limpieza

Limpiadores de Acero Inoxidable CitriShine™

Limpiador de Electrodomésticos de Acero Inoxidable

GARANTÍA LIMITADA DE MONOGRAM

Monogram.com

Todo el servicio de garantía es provisto por nuestros Centros de Servicio de Fábrica, o por un técnico autorizado de Customer Care® (Servicio al Cliente). Para programar el servicio a través de Internet, visítenos en **monogram.com/contact**.

En Canadá, visite **monogram.ca**.

Para realizar el servicio técnico de su campana de cocina se podrá requerir el uso de datos del puerto de abordaje para su diagnóstico. Esto da al técnico del Servicio de Fábrica de Monogram la habilidad de diagnosticar de forma rápida cualquier problema con su electrodoméstico, y de ayudar a Monogram a mejorar sus productos al brindarle a Monogram la información sobre su electrodoméstico. Si no desea que los datos de su electrodoméstico sean enviados a Monogram, solicitamos que le indique a su técnico NO entregar los datos a Monogram en el momento del servicio.

Por el Período de	Monogram Appliances reemplazará
Garantía limitada por dos años	Por dos años desde la fecha original de compra, le brindaremos, sin costo, piezas y trabajos del servicio técnico en su hogar para la reparación o reemplazo de cualquier parte de la campana de ventilación que presente fallas debido a defectos de fabricación.

Qué no cubrirá Monogram:

- Viajes del técnico del servicio a su hogar para enseñarle sobre cómo usar el producto.
- Reemplazo de fusibles de la casa o reinicio de disyuntores.
- Fallas del producto si su uso es para propósitos diferentes al original o uso comercial.
- Instalación, entrega o mantenimiento inadecuados.
- Reemplazo de filtros reemplazables.
- Daños ocasionados sobre el producto por accidente, incendio, inundaciones o catástrofes naturales.
- Daños consecuentes o incidentales causados por posibles defectos sobre este producto.
- Daño causado después de la entrega.
- Producto no accesible para que se brinde el servicio requerido.
- Instalación o servicio técnico para sistemas de reposición (reemplazo) de aire.

EXCLUSIÓN DE GARANTÍAS IMPLÍCITAS — Su única y exclusiva alternativa es la reparación del producto, como se indica en esta Garantía Limitada. Las garantías implícitas, incluyendo garantías implícitas de comerciabilidad o conveniencia sobre un propósito particular, se limitan a un año o al período más corto permitido por la ley.

Esta garantía se extiende al comprador original y cualquier dueño posterior para productos adquiridos para uso doméstico dentro de los 48 estados continentales, Hawaii, Washington, D.C. o Canadá. Si el producto se encuentra en una región donde no hay Servicio Técnico de Monogram, usted será responsable del cargo del viaje o usted puede tener que llevar el producto a un Servicio Técnico Autorizado de Monogram para efectuar la reparación. En Alaska la garantía es la misma salvo que es LIMITADA porque usted debe pagar el envío del producto a la tienda de servicio técnico o los gastos de viaje del técnico hasta su hogar.

Algunos estados no permiten la exclusión o limitación de daños incidentales o resultantes, por lo tanto esta exclusión o limitación puede no aplicarse en su caso. Esta garantía le otorga derechos legales específicos y usted puede contar con otros derechos, que pueden variar de estado a estado.

Para conocer sus derechos legales en su estado, consulte a su oficina del consumidor local o estatal o al Fiscal General de su estado.

Garante: GE Appliances, a Haier company, Louisville KY, 40225

Garante en Canadá: MC COMMERCIAL INC, Burlington, ON, L7R 5B6

Grape aquí su recibo. Se requiere facilitar prueba de la fecha de compra original para obtener un servicio bajo la garantía.

49-2000857 Rev. 0

10-20 GEA
Impreso en Italia

