

DF60R8200DG

SAMSUNG

Samsung AirDresser



Signature Features

Air Hangers

Use the power of steam to refresh clothing inside and out while relaxing light wrinkles.

Sanitize Cycle

Sanitize cycle eliminates 99.9% of common bacteria and dust mites from fabrics.¹

Easy Installation

Install AirDresser with one simple step: plug it in.

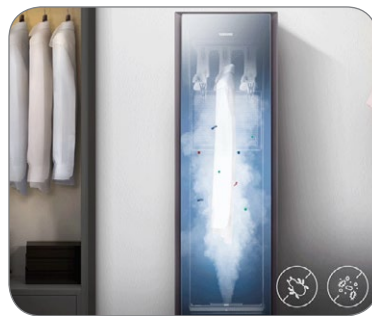
Deodorizing Filter

Remove and absorb 99% of stubborn odors with AirDresser's built-in Deodorizing Filter.

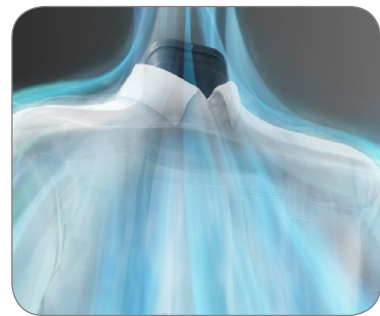
Available Color



Dark Black



Air Hangers



Sanitize Cycle

Features

- Sanitize Cycle¹
- Easy Installation
- Deodorizing Filter
- Wi-Fi Connectivity²
- Fresh Finish™
- Air Hanger Capacity: 6 Hanging Garments Including Pants
- Heat Pump Drying
- Self Clean
- British Allergy Foundation (BAF) Certified
- Dehumidification

Convenience

- 4 General Cycles
- 3 Dry Cycles
- 9 Special Cycles
- 6 Download Cycles
- LCD Touch Display

Accessories

- 3 Air Hangers (for Both Tops & Bottoms)
- Hanger Kit
- Weight Kit
- Shelf

¹Based on testing by Intertek using Sanitize cycle, eliminates 99.9% of *E. coli* and *S. aureus* and 99% of house dust mites.

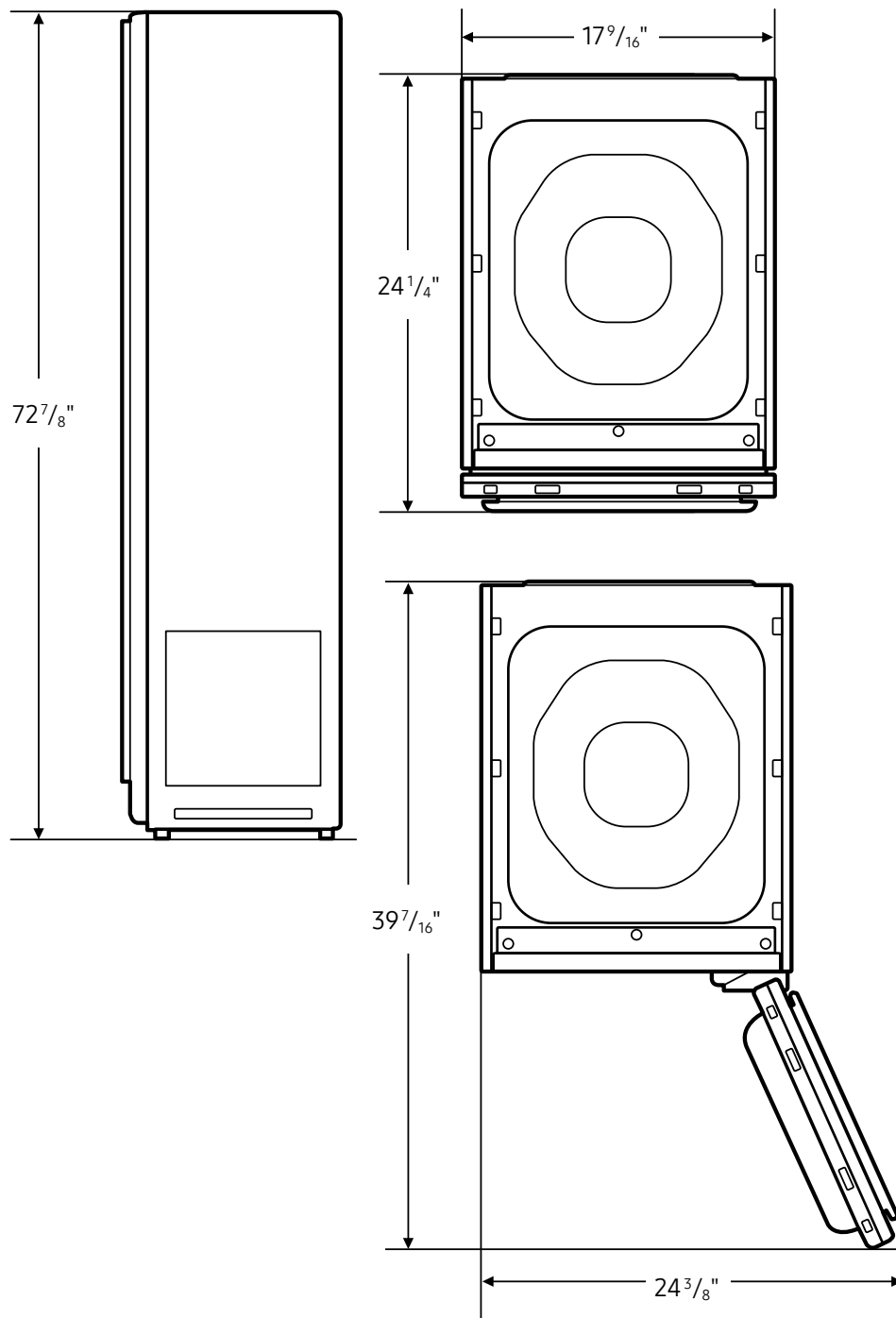
²Available on Android and iOS devices. A Wi-Fi connection and a Samsung account are required.

DF60R8200DG

SAMSUNG

Samsung AirDresser

Dimensions



Power Source
120V/60 Hz

Power Consumption
1300W

4 General Cycles:
Normal, Delicates, Quick, Sanitize

3 Dry Cycles:
Sensor Dry, Time Dry, Room Care

9 Special Cycles:
Suit, School Wear, Winter Coat, Wool/Knit, Outdoor, Down Jackets, Fur/Leather, Heavy Duty, Self Clean

6 Download Cycles³:
Denim, Down Dry, Accessories, Babywear, Bedding, Toys

Warranty
One (1) Year Parts and Labor

Product Dimensions & Weight
Dimensions (WxHxD with handle):
17 9/16" x 72 7/8" x 24 1/4"
Dimensions (WxHxD without handle):
17 9/16" x 72 7/8" x 23 9/16"
Weight: 196.2 lbs

Shipping Dimensions & Weight (WxHxD)
Dimensions: 20 7/8" x 76 3/8" x 29 7/8"
Weight: 213.8 lbs

Color	Model #	UPC Code
Dark Black	DF60R8200DG	887276369044

³Available after downloading the cycle from the SmartThings App.

Actual color may vary. Design, specifications, and color availability are subject to change without notice. Non-metric weights and measurements are approximate.

©2020 Samsung Electronics America, Inc., 85 Challenger Road, Ridgefield Park, NJ 07660. Tel: 800-SAMSUNG. samsung.com. Samsung is a registered trademark of Samsung Electronics Co., Ltd.