

MC12J8035CT

1.2 cu. ft. Countertop Convection Microwave

Features

- Power Convection
- PowerGrill Duo™
- Slim Fry™
- Ceramic Enamel Interior
- Rack with Ceramic Plate
- Glass Touch Controls
- 1.2 cu. ft. Oven Capacity
- LED Display
- Drop-Down Door Design
- Cooking Preset
- Eco Mode (Reduces Standby Power)
- 10 Power Levels
- Various Cooking Modes
- Weight/Serving Controls
- Preheat
- Auto Cook
- Auto Defrost
- 30" Trim Kit Available

Convenience

- Child Safety Lock
- Clock (12 hr)
- Reminder End Signal
- Sound On/Off



Power Convection/PowerGrill Duo™



Slim Fry™

Available Color



Black (Stainless Steel)

Signature Features

POWER CONVECTION

- Power convection technology combines traditional convection cooking with powerful hot air coming from the top, distributing the heat thoroughly and cooking faster than a standard convection microwave oven.

POWERGRILL DUO™

- Enjoy crispy food in minutes as the grill function works to brown and crisp your food outside without drying the inside.
- Its innovative wide grill heater delivers significantly more power, up to a maximum of 1600W.

SLIM FRY™

- Prepare great-tasting, healthier foods without added oil.
- Prepare fried food with reduced fat.*

*Compared to deep fry cooking method

CERAMIC ENAMEL INTERIOR

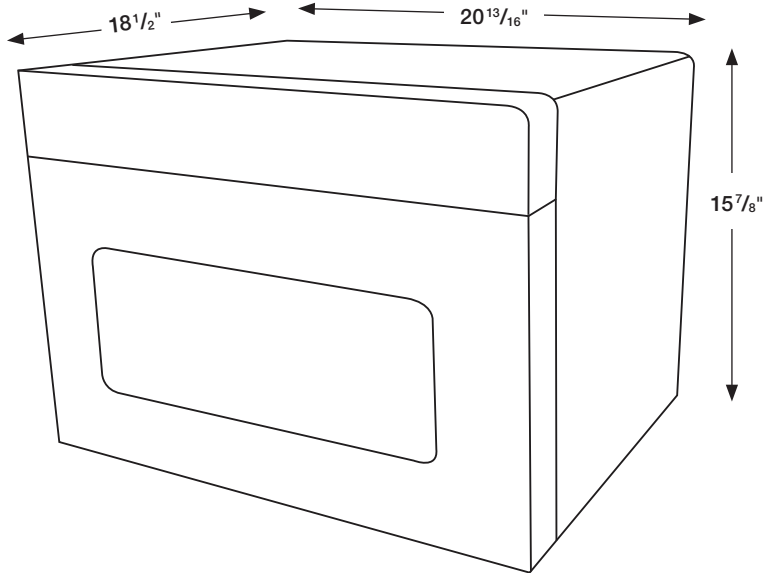
- Scratch-resistant and easy-to-clean interior.
- Effortlessly remove grease or oil from surfaces and protect against scratches that occur from daily use.

SAMSUNG

MC12J8035CT

1.2 cu. ft. Countertop Convection Microwave

Dimensions



Specifications

- Oven Cavity: 1.2 cu. ft.
- Power Output:
 - Microwave: 900W
 - PowerDuo Grill™: 1600W
 - Power Convection: 1650W
- Power Consumption (Microwave): 1600W
- Power Source: 120V/60Hz
- Control Method: Glass Touch
- Display: LED
- Cooking Control: 10 Power Levels
- Microwave Distribution Mechanism: Turntable

30" Trim Kit

Dimensions:
29 13/16" x 20 1/8" x 7/8"

Weight: 4.2 lbs.

Warranty

One (1) Year Parts and Labor
Ten (10) Years Parts Warranty for Magnetron

Product Dimensions & Weight (WxHxD)

Cavity Dimensions:
15 3/4" x 8 5/8" x 15 5/8"

Outside Net Dimensions:
20 13/16" x 15 7/8" x 18 1/2"

Weight: 62.8 lbs.

Shipping Dimensions & Weight (WxHxD)

Dimensions:
23 7/16" x 18 3/8" x 21 3/4"

Weight: 73.9 lbs.

Color	Model #	UPC Code
Black (Stainless Steel)	MC2J8035CT	887276071138

SAMSUNG

Actual color may vary. Design, specifications, and color availability are subject to change without notice.
Non-metric weights and measurements are approximate.

©2015 Samsung Electronics America, Inc. 85 Challenger Road, Ridgefield Park, NJ 07660. Tel: 800-SAMSUNG. samsung.com.
Samsung is a registered trademark of Samsung Electronics Co. Ltd.