

# ME21K7010DG

SAMSUNG

## 2.1 cu. ft. Over-the-Range Microwave with PowerGrill™ and Ceramic Enamel Interior



### Signature Features

#### PowerGrill™

- Goes beyond just heating to toast, crisp, and brown your favorite food.
- PowerGrill™ delivers 1500W of cooking power through its direct grilling element.

#### Ceramic Enamel Interior

- Scratch-resistant and easy-to-clean interior.
- Makes removing grease or oil effortless and protects against scratches from daily use.

#### Glass-Touch Bottom Controls

- Premium Glass-Touch Controls.
- Seamless design and easy access controls

### Available Colors



Fingerprint Resistant  
Stainless Steel



Fingerprint Resistant  
Black Stainless Steel (shown)



PowerGrill™



Ceramic Enamel Interior

### Features

- PowerGrill™
- Ceramic Enamel Interior
- Glass-Touch Bottom Controls
- LED Cooktop Lights
- Sensor Cook
- Grilling Plate with Rack
- Simple Clean Filter
- 2.1 cu. ft. Capacity
- 4-Speed/400 CFM Ventilation System
- Cooking Presets
- Eco Mode
- Turntable On/Off
- Hidden Vent

### Convenience

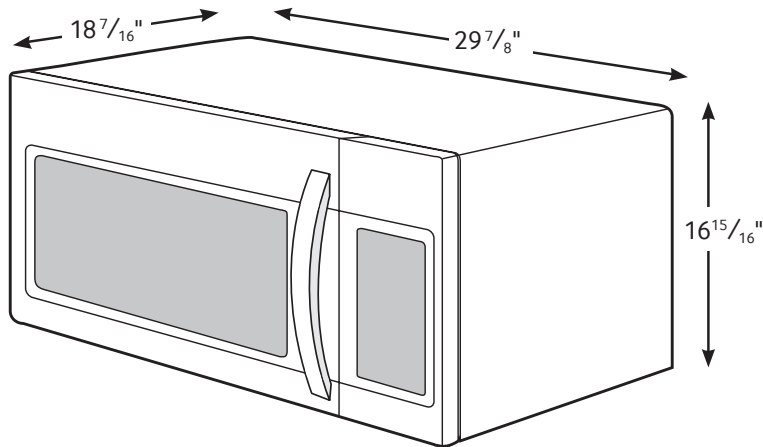
- Kitchen Timer
- Clock (12 hr/24 hr) with Daylight Saving Time Adjustment
- Child Safety Lock
- Reminder End Signal
- Auto Night-Light

# ME21K7010DG

SAMSUNG

## 2.1 cu. ft. Over-the-Range Microwave with PowerGrill™ and Ceramic Enamel Interior

### Dimensions



### Specifications

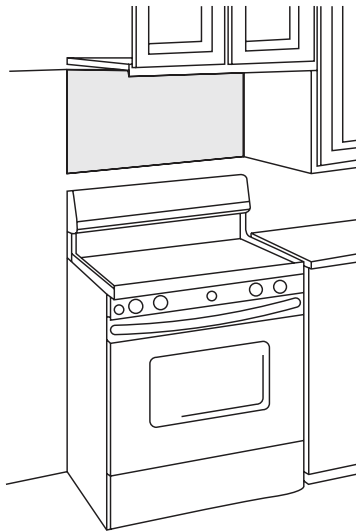
- Oven Cavity: 2.1 cu. ft.
- Power Output:
  - Microwave: 1000W
  - PowerGrill™: 1500W
- Power Consumption: 1700W/14.5 A
- Power Source: 120V/60 Hz
- Control Method: Glass-Touch Bottom Control
- Display: LED
- Cooking Control: 10 Power Levels Including Defrost
- Cooking Timer: Digital, up to 99 Minutes, 99 Seconds
- Microwave Distribution System: Turntable
- Glass Turntable Diameter: 14 3/16"
- Vent Fan: 400 CFM
- Vent Fan Control: On/Off
- Cooktop Lighting: High/Low/Off

### Warranty

One (1) Year All Parts and Labor  
Ten (10) Years Parts on Magnetron

### Installing Your Microwave

- This microwave oven is designed for adaptation to the following three types of ventilation:
  - A. Outside Top Exhaust (Vertical Duct)
  - B. Recirculating (Non-Vented Ductless)
  - C. Outside Back Exhaust (Horizontal Duct)
- The space between the cabinets must be 30" wide and free of obstructions.
- This microwave oven is for installation over ranges up to 36" wide.
- The microwave must be level. Use a level to make sure the cabinet bottom is level. If the cabinets have a front overhang only, with no back or side frame, install the mounting plate down the same distance as the front overhang depth. This will keep the microwave level.



### Product Dimensions & Weight (WxHxD)

Cavity Dimensions: 22 1/8" x 10 13/16" x 14 7/8"  
Outside Net Dimensions: 29 7/8" x 16 15/16" x 18 7/16"  
Weight: 59.1 lbs.

### Shipping Dimensions & Weight (WxHxD)

Dimensions: 33 3/8" x 20 13/16" x 19 3/8"  
Weight: 69.4 lbs.

### Color

Fingerprint Resistant  
Stainless Steel

### Model #

ME21K7010DS

### UPC Code

887276215303

Fingerprint Resistant  
Black Stainless Steel

ME21K7010DG

887276147000

FOR EASIER INSTALLATION AND PERSONAL SAFETY, WE RECOMMEND THAT TWO PEOPLE INSTALL THIS MICROWAVE OVEN. IMPORTANT: Do not grip or use handle during installation.

NOTE: If your cabinet is metal, use the nylon grommet around the power cord hole to prevent cutting of the cord.

NOTE: We recommend using filler blocks if the cabinet front hangs below the cabinet bottom shelf.

IMPORTANT: If filler blocks are not used, case damage may occur from overtightening screws.

NOTE: When mounting the microwave oven, thread power cord through hole in bottom of top cabinet. Do not pinch cord or lift oven by pulling cord.