

NE59R4321SS

SAMSUNG

5.9 cu. ft. Freestanding Electric Range



Signature Features

Stainless Steel Cooktop

- Premium look and larger cooking surface for greater flexibility to use multiple pot and pan sizes.

Fan Convection

- Fan Convection circulates air for faster, more even cooking.

5.9 cu. ft. Large Capacity

- Cook multiple dishes at once or accommodate larger items for the holidays.

Available Colors



Stainless Steel (shown)



Fingerprint Resistant
Black Stainless Steel



Stainless Steel Cooktop



Powerful/Flexible Cooktop

Features

- Flexible Cooktop – Five Electric Elements
 - Two Dual Elements (6"/9", 9"/12")
 - Two Single Elements (6")
 - One Warming Center (7")
- Hidden Bake Element
- Wide View Window
- 3 Preset Easy Cook Options
- Storage Drawer

Convenience

- Self & Steam Clean
- Auto Oven Light
- Kitchen Timer
- Sabbath Mode
- Proofing
- Delay Start
- Child Safety Lock
- 2 Chrome Racks

NE59R4321SS

SAMSUNG

5.9 cu. ft. Freestanding Electric Range

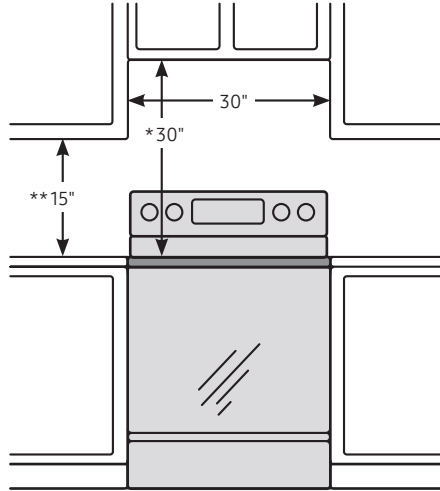
Installation Specifications

*30" minimum clearance between the top of the cooking surface and the bottom of an unprotected wood or metal cabinet; or If no 30" minimum clearance, 24" minimum when the bottom of the wood or metal cabinet is protected by not less than 0.25" flame-retardant millboard covered with not less than no. 28 MSG sheet steel, 0.015" stainless steel, 0.024" aluminum, or 0.020" copper.

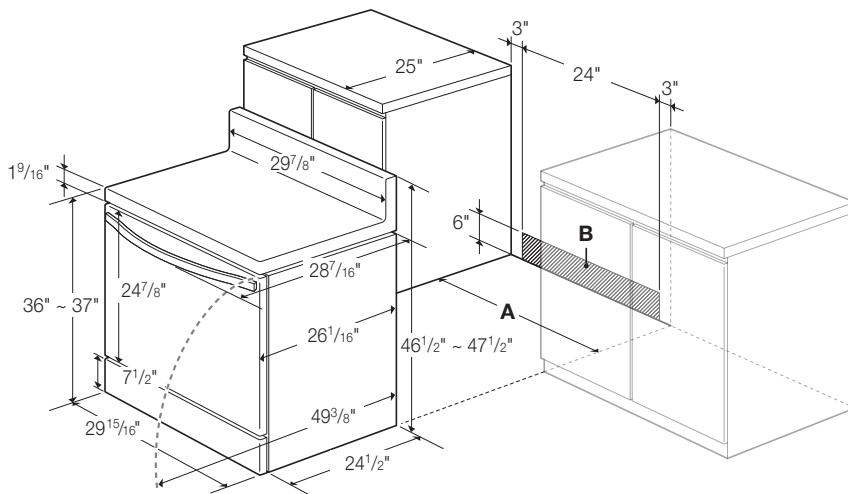
**15" minimum between the countertop and the adjacent cabinet bottom.

IMPORTANT: To eliminate the risk of burns or fire caused by reaching over heated surface units, cabinet storage space located above the surface units should be avoided. If cabinet storage is to be provided, the risk can be reduced by installing a range hood that projects horizontally a minimum of 5" beyond the bottom of the cabinets.

A: Required Cabinet Opening is 30"
B: Acceptable Electrical Outlet Space



Dimensions



Power Source

240V/60 Hz/40A

Radiant Ceramic Cooktop

- Right Front: 9"/12" Dual Element, 3000W
- Left Front: 6"/9" Dual Element, 3000W
- Right Rear: 6" Element, 1200W
- Left Rear: 6" Element, 1200W
- Center Rear: 7" Warming Center

Oven

- Capacity: 5.9 cu. ft.
- Hidden Bake Element
- Bake: 175°F–550°F
- Convection Bake: 175°F–550°F
- Convection Roast: 175°F–550°F
- Broil: Low/High

Storage Drawer

Capacity: 1.4 cu. ft.

Warranty

One (1) Year Parts and Labor

Product Dimensions & Weight (WxHxD)

Actual Oven Dimensions: 25" x 21¹/₈" x 19¹/₄"

Outside Net Dimensions: 29¹⁵/₁₆" x 46¹/₂" x 28⁷/₁₆"

Weight: 156 lbs

Shipping Dimensions & Weight (WxHxD)

Dimensions: 33³/₈" x 50⁷/₁₆" x 30⁵/₁₆"

Weight: 166 lbs

Color

Stainless Steel

Model

NE59R4321SS

UPC Code

887276336336

Fingerprint Resistant

Black Stainless Steel

NE59R4321SG

887276336244