

NE63A6511SS

SAMSUNG

Samsung Smart Freestanding Electric Range with No Pre-heat Air Fry & Convection

6.3 cu. ft. Capacity



Signature Features

Air Fry

- A healthier way to prepare your favorite fried foods right in your oven with little to no oil.* No preheating required.

*As compared to deep frying. Air fry tray sold separately.

Convection

- Powerful convection saves you time by cooking food fast and more evenly.

Large Oven Capacity

- This large 6.3 cu. ft. oven can fit multiple dishes at one time.

Available Colors

 Fingerprint Resistant Stainless Steel (shown)

 Fingerprint Resistant Black Stainless Steel

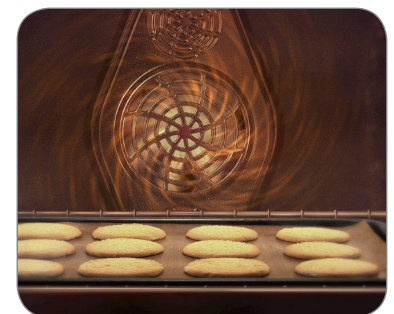
 Black

 White



Air Fry tray sold separately.

Air Fry



Convection

Features

- Stainless Steel Design
- Air Fry – Tray Not Included
- Convection
- Large Oven Capacity – 6.3 cu. ft.
- Rapid Boil™ 3300 W
- Extra Oven Settings - Bread Proof, Dehydrate, Favorite Cook, Keep Warm
- Storage Drawer

- Flexible Cooktop:
 - Five Burner Cooktop
 - One Dual Ring Burner (9"/12")
 - One Dual Ring Burner (6"/9")
 - Two Single Burners (6")
 - One Warming Center (7")

Convenience

- Wi-Fi Connectivity
- Voice-Enabled
- SmartThings Cooking
- Convection Auto Conversion
- Self & Steam Clean
- Hidden Bake Element
- Sabbath Mode
- Child Safety Lock
- Delay Start
- Auto Oven Light
- Kitchen Timer



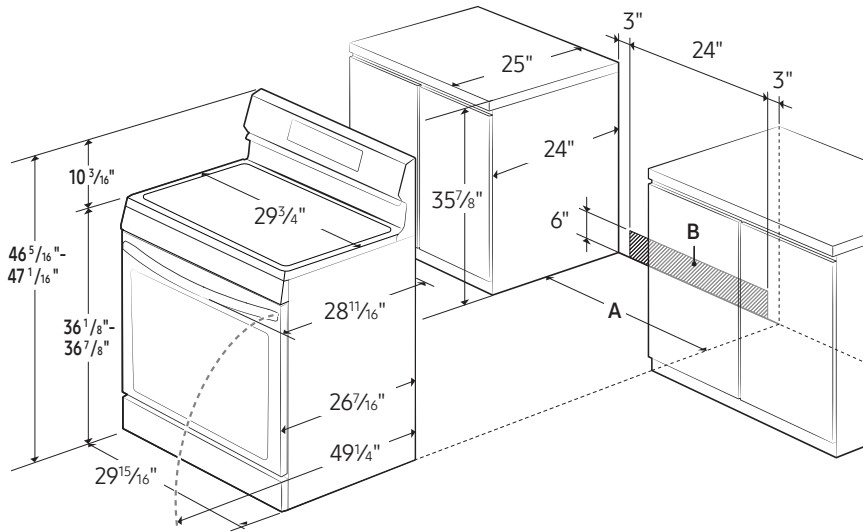
NE63A6511SS

SAMSUNG

Samsung Smart Freestanding Electric Range with No Pre-heat Air Fry & Convection

6.3 cu. ft. Capacity

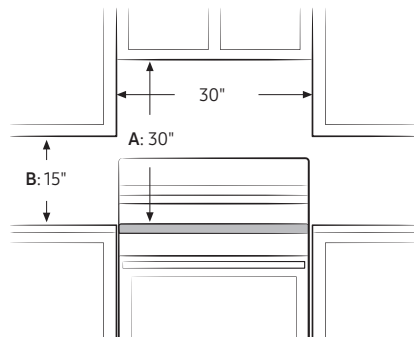
Installation Specifications



A: Cabinet opening min 30"

B: Acceptable electrical outlet area

IMPORTANT: If your cabinets are over 36³/₄" high, you must install this range on a hard, heat-resistant support that raises the surface of the range so that it is about even with the countertop.



A: 30" minimum clearance between the top of the cooking surface and the bottom of an unprotected wood or metal cabinet; or 24" minimum when the bottom of the wood or metal cabinet is protected by not less than 1/4" of flame retardant millboard covered with not less than no.28 MSG sheet steel, 0.015" stainless steel, 0.024" aluminum, or 0.020" copper.

B: 15" minimum between the countertop and the adjacent cabinet bottom.

IMPORTANT: Consult with Installation Manual for detailed instructions before installing. All ranges must be installed with the Anti-Tip device that is included.

Power Source

240V/208V/60 Hz/40A

Electric Cooktop

- Right Front: 9"/12" Dual Ring Burner, 3000 W
- Left Front: 6"/9" Dual Ring Burner, 3300 W
- Right Rear: 6" Burner, 1200 W
- Left Rear: 6" Burner, 1200 W
- Center: Warming Center, 100 W

Oven

- Capacity: 6.3 cu. ft.
- Convection Element/Heater
- Convection Bake
- Convection Roast
- Bake
- Variable Broil: Low/High
- Air Fry
- Bread Proof
- Dehydrate

Warranty

One (1) Year Parts and Labor

Product Dimensions & Weight (WxHxD)

Oven Interior Dimensions:

24¹³/₁₆" x 22⁷/₁₆" x 19³/₄"

Outside Net Dimensions:

29¹⁵/₁₆" x 46⁵/₁₆"-47¹/₁₆" (Adjustable) x 28¹¹/₁₆"

Weight: 148 lbs

Shipping Dimensions & Weight (WxHxD)

Dimensions:

33¹/₁₆" x 50⁹/₁₆" x 30⁵/₁₆"

Weight: 172 lbs

Color

Fingerprint Resistant
Stainless Steel

Model

NE63A6511SS

UPC Code

887276509426

Fingerprint Resistant
Black Stainless Steel

NE63A6511SG

887276509419

Black

NE63A6511SB

887276509402

White

NE63A6511SW

887276509440

