

# NX60A6511SS

SAMSUNG

## Samsung Smart Freestanding Gas Range with No Pre-heat Air Fry & Convection

6.0 cu. ft. Capacity



### Signature Features

#### Air Fry

- A healthier way to prepare your favorite fried foods right in your oven with little to no oil.\*

\*As compared to deep frying. Air fry tray sold separately.

#### Convection

- Powerful convection saves you time by cooking food fast and more evenly.

#### Large Oven Capacity

- This large 6.0 cu. ft. oven can fit multiple dishes at one time.

### Available Colors



Fingerprint Resistant  
Stainless Steel (shown)



Fingerprint Resistant  
Black Stainless Steel



Black

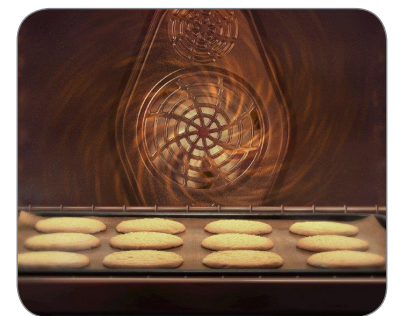


White



Air Fry tray sold separately.

Air Fry



Convection

### Features

- Air Fry – Tray Not Included
- Convection
- Large Oven Capacity – 6.0 cu. ft.
- Extra Oven Settings - Bread Proof, Dehydrate, Favorite Cook, Keep Warm
- Removable Non-Stick Griddle
- Edge-to-Edge Grates
- Storage Drawer
- Flexible Cooktop:

#### Five Burner Cooktop

- Right Front: 18K BTU Dual Ring
- Left Front: 17K BTU
- Right Rear: 5K BTU
- Left Rear: 9.5K BTU
- Center (Oval): 10K BTU

### Convenience

- Wi-Fi Connectivity
- Voice-Enabled
- SmartThings Cooking
- Convection Auto Conversion
- Self Clean
- Sabbath Mode
- Child Safety Lock
- Delay Start
- Auto Oven Light
- Kitchen Timer



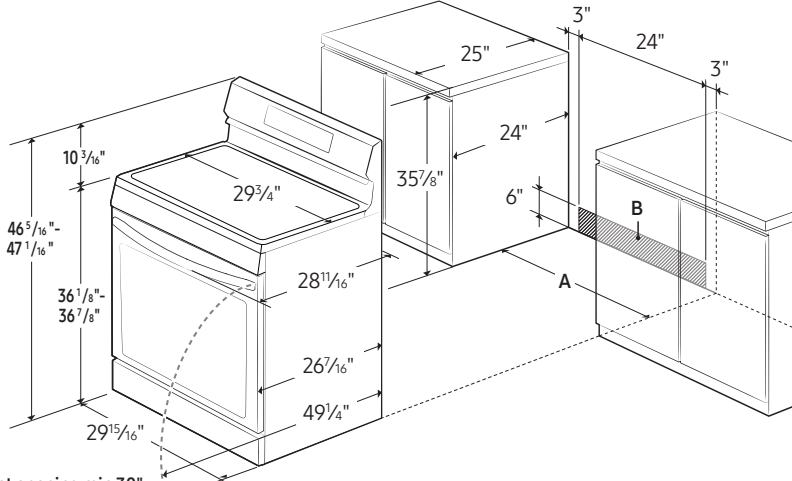
# NX60A6511SS

**SAMSUNG**

## Samsung Smart Freestanding Gas Range with No Pre-heat Air Fry & Convection

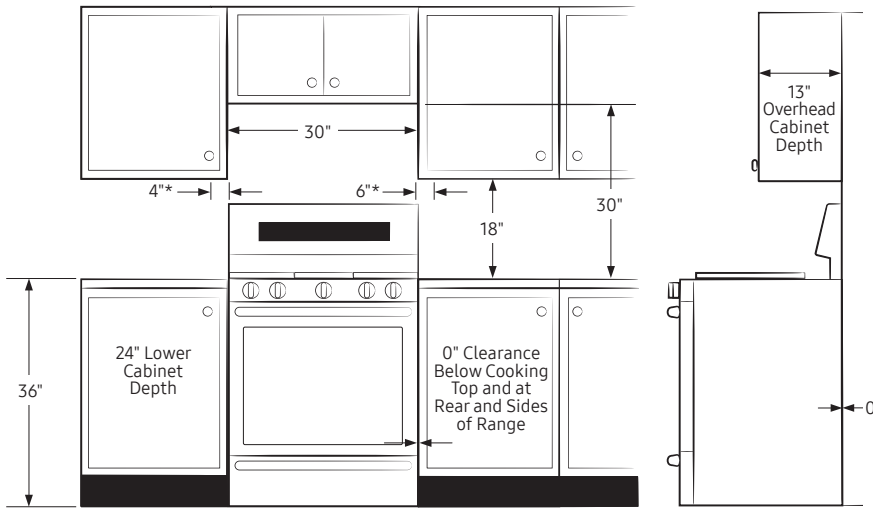
6.0 cu. ft. Capacity

### Installing Your Range



A: Cabinet opening min 30"  
B: Acceptable electrical outlet area

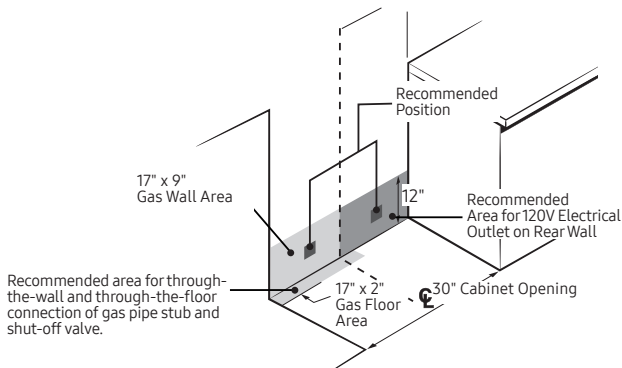
**IMPORTANT:** If your cabinets are over 36 3/4" high, you must install this range on a hard, heat-resistant support that raises the surface of the range so that it is about even with the countertop.



\* Side clearance above cooking surface to any objects, i.e., wall.

**IMPORTANT:** Consult with Installation Manual for detailed instructions before installing. All ranges must be installed with the Anti-Tip device that is included.

### Recommended Locations for Gas Piping and Electrical Outlets



### Power Source

120V/60 Hz/20A

### Total Power (BTU)

59,500 BTU

### 5-Burner Cooktop

- Right Front: 18K BTU, Dual Ring
- Left Front: 17K BTU
- Right Rear: 5K BTU
- Left Rear: 9.5K BTU
- Center (Oval): 10K BTU

### Oven

- Capacity: 6.0 cu. ft.
- Convection Bake
- Convection Roast
- Bake
- Variable Broil: Low/High
- Air Fry
- Bread Proof
- Dehydrate

### Warranty

One (1) Year Parts and Labor

### Product Dimensions & Weight (WxHxD)

Oven Interior Dimensions:

24<sup>13</sup>/<sub>16</sub>" x 21<sup>5</sup>/<sub>8</sub>" x 19<sup>5</sup>/<sub>8</sub>"

Outside Net Dimensions:

29<sup>15</sup>/<sub>16</sub>" x 46<sup>5</sup>/<sub>16</sub>"-47<sup>1</sup>/<sub>16</sub>" (Adjustable) x 28<sup>11</sup>/<sub>16</sub>"

Weight: 185 lbs

### Shipping Dimensions & Weight (WxHxD)

Dimensions:

33<sup>1</sup>/<sub>16</sub>" x 50<sup>9</sup>/<sub>16</sub>" x 30<sup>5</sup>/<sub>16</sub>"

Weight: 209 lbs

### Color

Fingerprint Resistant

Stainless Steel

Fingerprint Resistant

Black Stainless Steel

Black

White

### Model #

NX60A6511SS

NX60A6511SG

NX60A6511SB

NX60A6511SW

### UPC Code

887276509587

887276509570

887276509563

887276509594



Actual color may vary. Design, specifications, and color availability are subject to change without notice. Non-metric weights and measurements are approximate.

©2021 Samsung Electronics America, Inc. 85 Challenger Road, Ridgefield Park, NJ 07660. Tel: 800-SAMSUNG. samsung.com. Samsung is a registered trademark of Samsung Electronics Co. Ltd.