

# RF18A5101SR

SAMSUNG

## 18 cu. ft. Smart Counter Depth 3-Door French Door Refrigerator



### Signature Features

#### Counter Depth

Built-in look for a seamless fit. The smooth and streamlined exterior design features beautiful flat doors and easy-to-open recessed handles that blend seamlessly into your cabinetry, adding function and style to your kitchen.

#### Wi-Fi Enabled

Use the SmartThings App<sup>1</sup> on your smartphone to control the temperature and monitor your refrigerator remotely.

<sup>1</sup>Available on Android and iOS devices. A Wi-Fi connection and a Samsung account are required.

#### ENERGY STAR® Certified

Eco-friendly and energy-efficient.<sup>2</sup>

<sup>2</sup>Visit [www.energystar.gov](http://www.energystar.gov) for more information on ENERGY STAR® guidelines.

#### Fingerprint Resistant Finish

A finish that withstands everyday smudges, so you spend less time cleaning.

### Available Colors



Fingerprint Resistant  
Stainless Steel (shown)



Fingerprint Resistant  
Black Stainless Steel



Fingerprint Resistant  
White



Counter Depth



Fingerprint Resistant Finish

### Design

- Counter Depth
- Recessed Handle
- Flat Door Design
- Fingerprint Resistant Finish
- LED Lighting
- Gallon Door Bins
- Humidity-Controlled Crispers

### Technology

- Wi-Fi Enabled
- Adjustable Top Freezer Shelf
- Door Alarm
- Water Filter Indicator
- Sabbath Mode

### Performance

- Twin Cooling Plus®
- Power Cool & Freeze
- Ice Maker - Stores up to 5.5 lbs of ice

### Rating



ENERGY STAR® rated:  
540 kWh/yr



ADA Compliant

# RF18A5101SR

SAMSUNG

## 18 cu. ft. Smart Counter Depth 3-Door French Door Refrigerator

### Installation Specifications

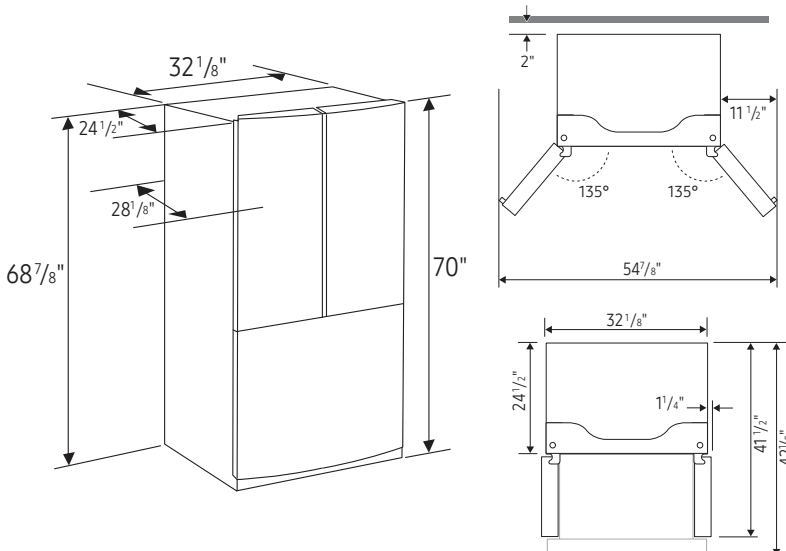
1. Measure the height, width and depth of the opening, making sure to include baseboards, molding tile, countertop overhang, etc. Check to be sure there is enough room to open the door (consider walls, islands or other obstacles when measuring).
2. Refer to illustration below to determine dimensions.
3. Allow  $3\frac{3}{4}$ " of clearance on hinge side of refrigerator when installing next to a wall where handle may make contact.
4. Allow 2" minimum clearance at rear for proper air circulation and water/electrical connections. Allow a  $\frac{3}{8}$ " minimum clearance at sides and top for ease of installation.
5. Ensure each door and entryway in the home is wide enough for the refrigerator to be moved through easily.

For optimal usage and ability to open refrigerator doors completely, do not install next to a wall.

Please note: The following dimension and cutout information is for planning purposes only. For complete installation details, consult manual packed with product or download manual online at [samsung.com](http://samsung.com).



### Dimensions



**Total Capacity: 17.5 cu. ft.**

**Refrigerator: 11.7 cu. ft.**

- 3 Tempered Glass Spill-Proof Shelves
- 2 Humidity-Controlled Crispers
- 6 Door Bins
  - Right Door: 1 Gallon Bin, 2 Regular Bins
  - Left Door: 1 Gallon Bin, 2 Regular Bins
- LED Lighting

**Freezer: 5.8 cu. ft.**

- Automatic Ice Maker
- EZ-Open Handle™
- LED Lighting

### Warranty

One (1) Year Parts and Labor on Refrigerator  
Five (5) Years Parts and Labor on Sealed Refrigeration System Only\*  
Ten (10) Years Parts and Five (5) Years Labor on Digital Inverter Compressor

\*Compressor, evaporator, condenser, drier and connecting tubing.

### Product Dimensions & Weight

Dimensions (WxHxD with hinges, and doors):

$32\frac{1}{8}$ " x 70" x  $28\frac{1}{8}$ "

Dimensions (WxHxD without hinges and door):

$32\frac{1}{8}$ " x  $68\frac{7}{8}$ " x  $24\frac{1}{2}$ "

Weight: 205 lbs

### Shipping Dimensions & Weight (WxHxD)

Dimensions:  $34\frac{5}{8}$ " x 75" x  $30\frac{1}{2}$ "

Weight: 223 lbs

### Color

Fingerprint Resistant  
Stainless Steel

### Model #

RF18A5101SR

### UPC Code

887276455167

Fingerprint Resistant  
Black Stainless Steel

RF18A5101SG

887276247229

Fingerprint Resistant  
White

RF18A5101WW

887276465456