

# Installation Instructions

for Frontload Washers

**Original Instructions**

**Keep These Instructions for Future Reference.**

**CAUTION: Read the instructions before using the machine.**

(If this machine changes ownership, this manual must accompany machine.)



[www.speedqueen.com](http://www.speedqueen.com)

Part No. 806987ENR1  
March 2019



# Table of Contents

<b>Washer Dimensions</b> .....	<b>4</b>
<b>Installation</b> .....	<b>5</b>
Before You Start.....	5
Tools.....	5
Parts Included.....	5
Parts Needed.....	5
Order of Installation Steps.....	5
Position Unit Near Installation Area.....	5
Remove Shipping Materials.....	6
Connect Fill Hoses.....	7
Water Supply Requirements.....	7
Connecting Hoses.....	7
Connect Drain Hose to Drain Receptacle.....	8
Standpipe Installation.....	8
Wall Installation.....	9
Laundry Tub Installation.....	9
Position and Level the Washer.....	9
Wipe Out Inside of Wash Drum.....	10
Plug In the Washer.....	10
Electrical Requirements.....	10
Earth/Ground Instructions.....	11
Check Installation.....	11
<b>Installer Checklist</b> .....	<b>12</b>

© Copyright 2019, Alliance Laundry Systems LLC

All rights reserved. No part of the contents of this book may be reproduced or transmitted in any form or by any means without the expressed written consent of the publisher.

# Washer Dimensions

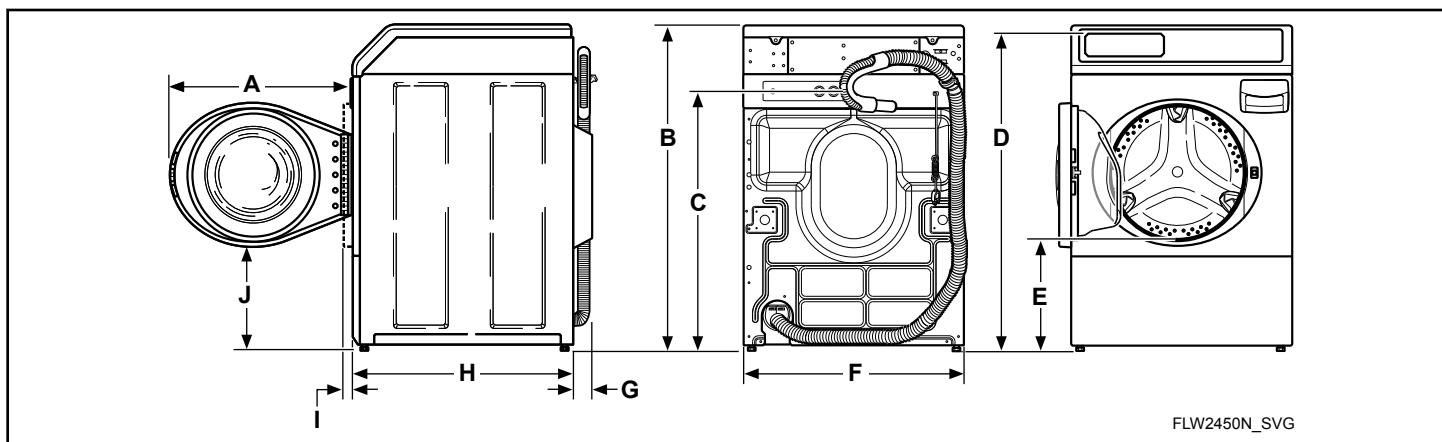


Figure 1

A	24.06 in. [611 mm]
B	40.42 in. [1027 mm]
C	32 in. [813 mm]
D	39.61 in. [1006 mm]
E *	14.6 in. [371 mm]
F	26.875 in. [683 mm]
G	2.04 in. [52 mm]
H	27.73 in. [704 mm]
I (with door closed)	1.59 in. [40 mm]
J	13.1 in. [333 mm]

\* For ADA compliance turn legs out from base 0.5 inches.

# Installation

## Before You Start

### Tools

For most installations, the basic tools you will need are:

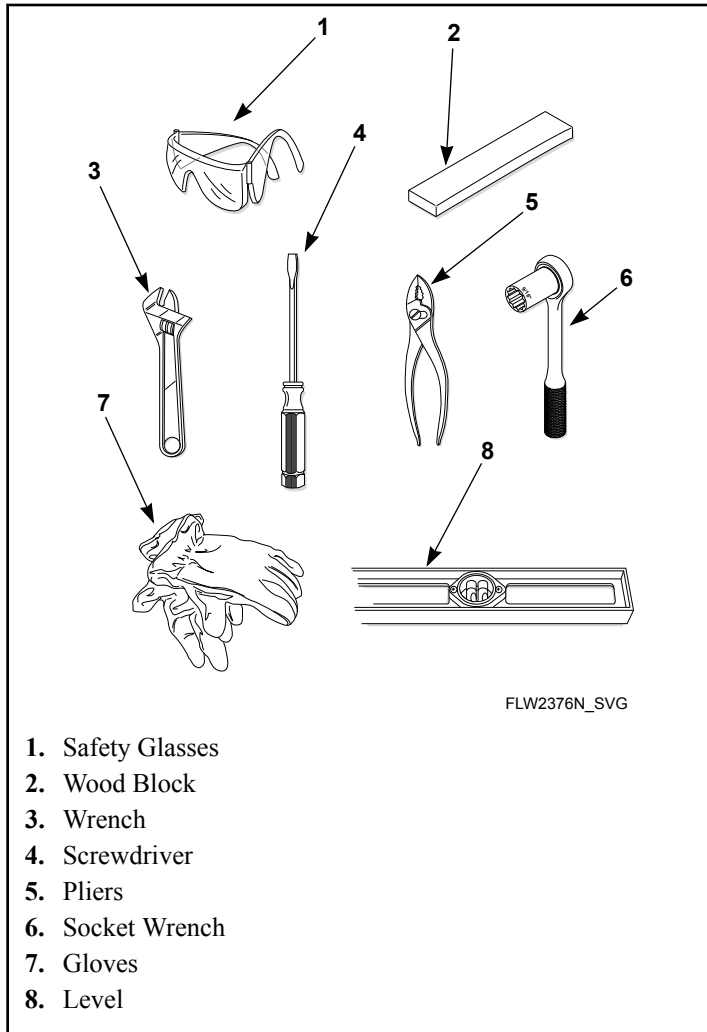


Figure 2

**NOTE: If the washer is delivered on a cold day (below freezing), or is stored in an unheated room or area during the cold months, do not attempt to operate it until the washer has had a chance to warm up.**

**NOTE: Install dryer before washer. This allows room for attaching exhaust duct.**

**NOTE: Some moisture in the wash drum is normal. Water is used during testing at the manufacturer.**

**NOTE: This appliance is suitable for use in countries having a warm, damp climate.**

### Parts Included

An accessories bag has been shipped inside your washer. It includes:

- Two fill hoses with washers and filter screens
- Four rubber feet
- Beaded strap
- Installation Instructions
- User's Guide
- Warranty Bond

### Parts Needed

Two fill hoses are required for installation. Order 807239 Hose Kit if needed. Kit includes two fill hoses color-coded for hot and cold water.

If using any other hoses, follow these requirements:

- Hoses must be new.
- Hoses must be a minimum of 3/8 in. inside diameter. Smaller inside diameter hoses will cause long fill times which could create nuisance fill errors.
- The two plain rubber washers and two filter screens included with the washer in the accessories bag must be installed in the fill hose couplings. Refer to *Connecting Hoses*. The filter screens help prevent foreign materials from clogging the water mixing valve.

### Order of Installation Steps

The proper order of steps must be followed to ensure correct installation. Refer to the list below when installing your unit.

1. Position washer near the installation area.
2. Remove the shipping materials.
3. Connect the fill hoses.
4. Connect the drain hose to the drain receptacle.
5. Position and level the washer.
6. Wipe out inside of the washer.
7. Supply injection models only: Connect external supplies to washer.
8. Plug in the washer.
9. Check installation.

### Position Unit Near Installation Area

Move unit so that it is within 4 feet [1.2 meters] of the desired area of installation.

**NOTE:** For best performance and to minimize vibration or movement, install washer on a solid, sturdy and level floor. Some floors may need to be reinforced, especially on a second floor or over a basement. Do not install the washer on carpeting, soft tile or other weakly supported structures.

## Remove Shipping Materials

1. Remove two screws at bottom of front access panel. Rotate bottom of panel out and remove panel.

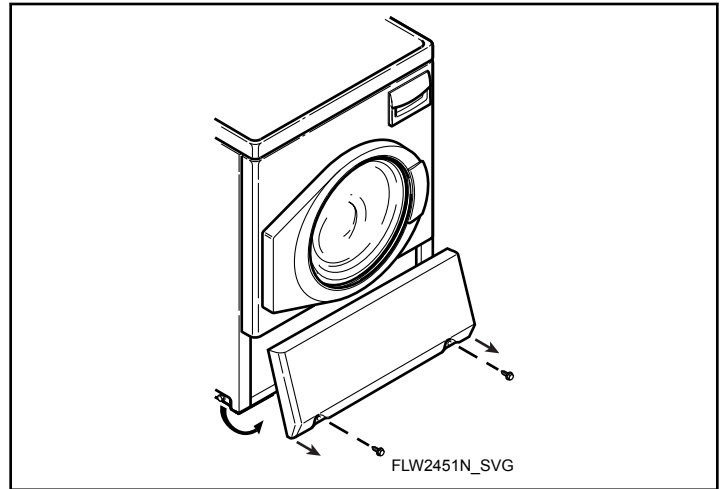


Figure 3

2. Remove two 9/16 inch bolts and washers holding shipping brace to weight.
3. Remove two 9/16 inch bolts and washers holding shipping brace to washer base and remove brace.

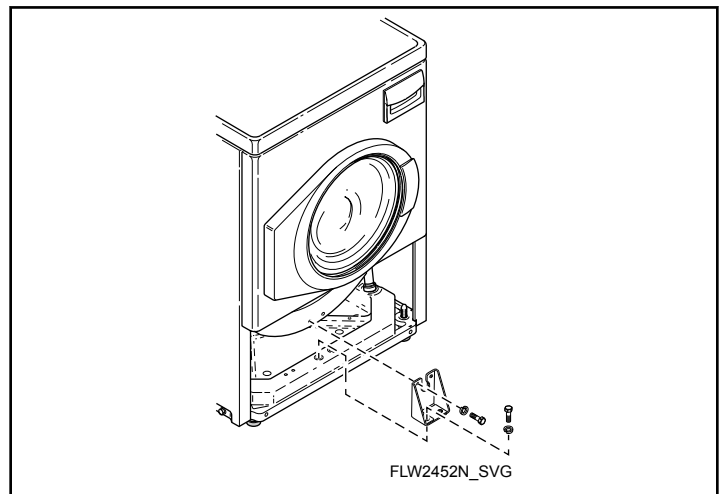


Figure 4

4. Go to rear of washer and pull label from rear shipping bolts.
5. Remove two 9/16 inch bolts. Unscrew each bolt while applying forward pressure just until bolt stops unthreading. Work each bolt and spacer out by hand using a circular motion.

**NOTE: Avoid backing bolts out completely or spacers might fall into cabinet.**

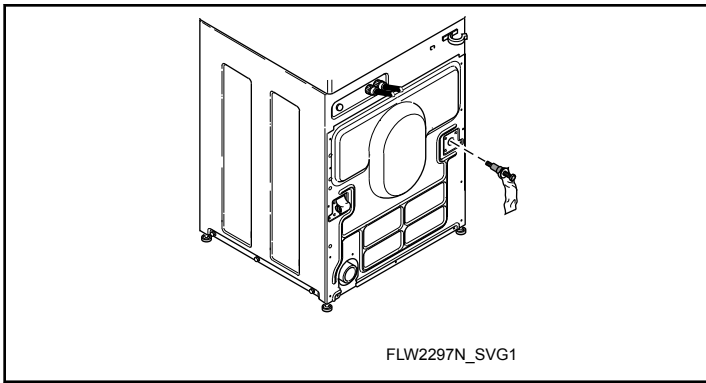


Figure 5

6. Insert two plugs included in accessories bag into rear shipping bolt holes.

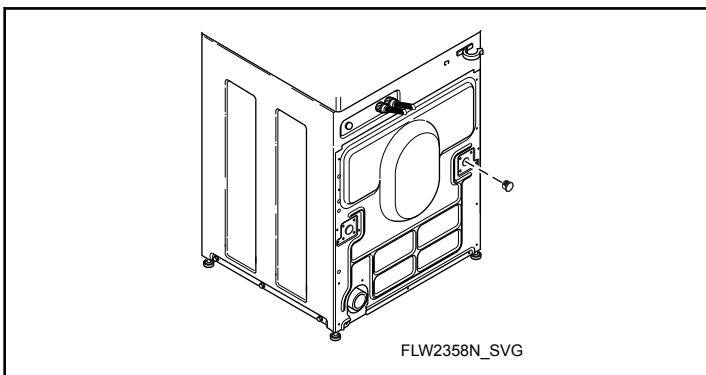


Figure 6

7. Replace front access panel.
8. Save all shipping materials. They must be reinstalled any time washer is moved more than four feet.

**IMPORTANT: Do not lift or transport unit from front or without shipping materials installed. Refer to the User's Guide for proper instructions on reinstalling the shipping materials.**

## Connect Fill Hoses

	<b>WARNING</b>
<p><b>Under certain conditions, hydrogen gas may be produced in a hot water system that has not been used for two weeks or more. HYDROGEN GAS IS EXPLOSIVE. If the hot water system has not been used for such a period and before using the washer, turn on all hot water faucets and let the water flow from each for several minutes. This will release any accumulated hydrogen gas. The gas is flammable. Do not smoke or use an open flame during this time.</b></p>	
W029	

## Water Supply Requirements

Water supply faucets must fit standard 3/4 inch [19 mm] female garden hose couplings. **DO NOT USE SLIP-ON OR CLAMP-ON CONNECTIONS.**

**NOTE: Water supply faucets should be readily accessible to permit turning them off when washer is not being used.**

Recommended cold water temperature is 50° to 75° Fahrenheit [10° to 24° Celsius]. Recommended maximum hot water temperature is 125° Fahrenheit [51° Celsius]. Warm water is a mixture of hot and cold water. Warm water temperature is dependent upon the water temperature and the pressure of both the hot and cold water supply lines.

	<b>WARNING</b>
<p><b>To prevent personal injury, avoid contact with inlet water temperatures higher than 125° Fahrenheit [51° Celsius] and hot surfaces.</b></p>	
W748	

Maximum flow rate for all water temperatures is 2.5 gallons per minute [9.46 liters per minute] ± 15%.

Water pressure must be a minimum of 20 to a maximum of 120 pounds per square inch [minimum of 138 to a maximum of 827 kPa] static pressure measured at the faucet.

**NOTE: Water pressure under 20 pounds per square inch [138 kPa] will cause an extended fill time in the washer and may not properly flush out the detergent dispenser.**

Turn on the water supply faucets and flush the lines for approximately two minutes to remove any foreign materials that could clog the screens in the water mixing valve. This is especially important when installing your washer in a newly constructed or renovated building. Build-up may have occurred during construction.

## Connecting Hoses

1. Remove the two plain rubber washers and two filter screens from the accessories bag.
2. Install them into each end of the fill hoses as shown in *Figure 7*. The screen must be facing outward.
3. Screw hose couplings with the filter screens onto the water faucets until they are finger-tight. Use the red color-coded hose for the hot water connection and the blue color-coded hose for the cold water connection.
4. Then, using a pliers, screw approximately 1/4 turn.
5. Screw hose couplings from other end of hoses onto the water mixing valve until they are finger-tight. Make sure the red color-coded hose from the hot water faucet goes to the water mixing valve marked "H" and the blue color-coded hose from

Installation

the cold faucet goes to the valve marked “C”. Refer to Figure 7.

- Then, using a pliers, screw approximately 1/4 turn.

**IMPORTANT: DO NOT cross thread or overtighten couplings. This will cause them to leak.**

- Turn water on and check for leaks.
- If leaks are found, turn off the water, unscrew hoses and reinstall them until there are no leaks.

**IMPORTANT: Turn off water supply whenever there will be an extended period of non-use.**

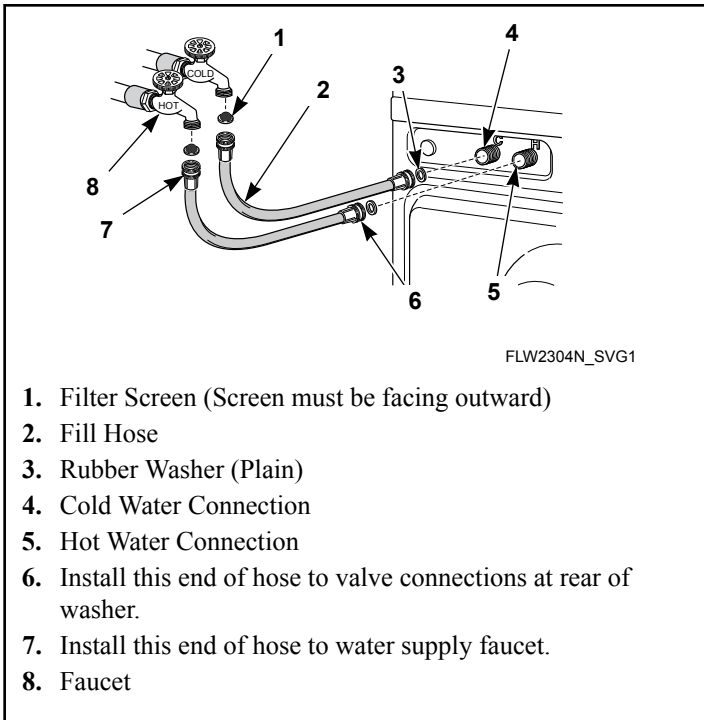


Figure 7

**IMPORTANT:**

Hoses and other rubber parts deteriorate after extended use. Hoses may develop cracks, blisters or material wear from the temperature and constant high pressure they are subjected to.

All hoses should be checked on a monthly basis for any visible signs of deterioration. Any hose showing the signs of deterioration listed above should be replaced immediately. All hoses should be replaced every five years.

**Connect Drain Hose to Drain Receptacle**

Remove the drain hose from its shipping position on the rear of the washer by unhooking the hose from the retainer clamp and by removing the shipping tape.

Install the drain hose into the drain receptacle (standpipe, wall or laundry tub) following the instructions below.

**IMPORTANT: Drain receptacle must be capable of handling a minimum of 1-1/4 inch [32 mm] outside diameter drain hose.**

Drain Flow Rate	
Drain Height	Flow Rate gallons per minute [liters per minute]
3 ft. [0.9 m]	8.6 [32.7]
5 ft. [1.5 m]	6.8 [25.9]
6 ft. [1.8 m]	6.0 [22.7]
7 ft. [2.1 m]	5.1 [19.5]
8 ft. [2.4 m]	4.0 [15.2]

**Standpipe Installation**

- Place the drain hose into the standpipe.
- Remove the beaded tie-down strap from accessories bag and place around standpipe and drain hose. Refer to Figure 8 .
  - Insert the end of the beaded strap into the larger hole found on the end of the strap.
  - Tighten to desired fit.
  - Lock strap in place by pulling beaded strap into the tapered smaller opening of the beaded strap end. A distinct snap noise should be heard once the strap is properly seated.
  - Pull on the strap once locked in place to ensure beaded strap is properly installed. This will prevent the drain hose from dislodging from drain receptacle during use.

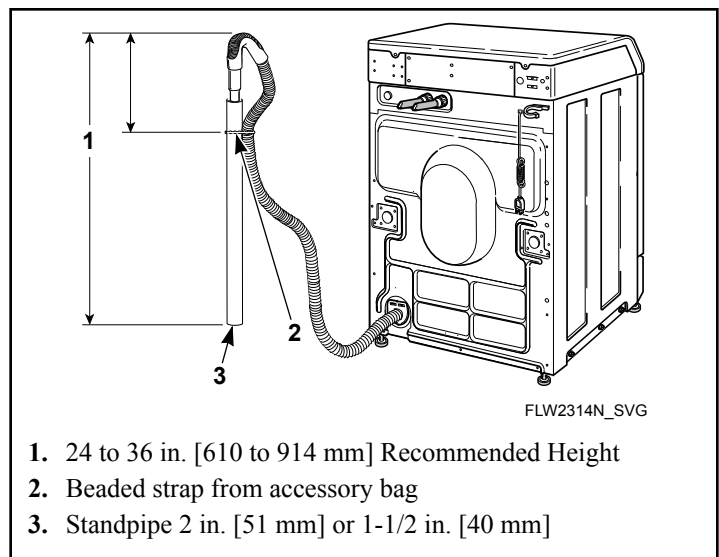


Figure 8



## Wall Installation

For installations of this type, the drain hose **MUST** be secured to one of the fill hoses using the beaded strap from accessories bag. Refer to *Figure 9*.

**NOTE: End of drain hose must not be below 24 in. [610 mm].**

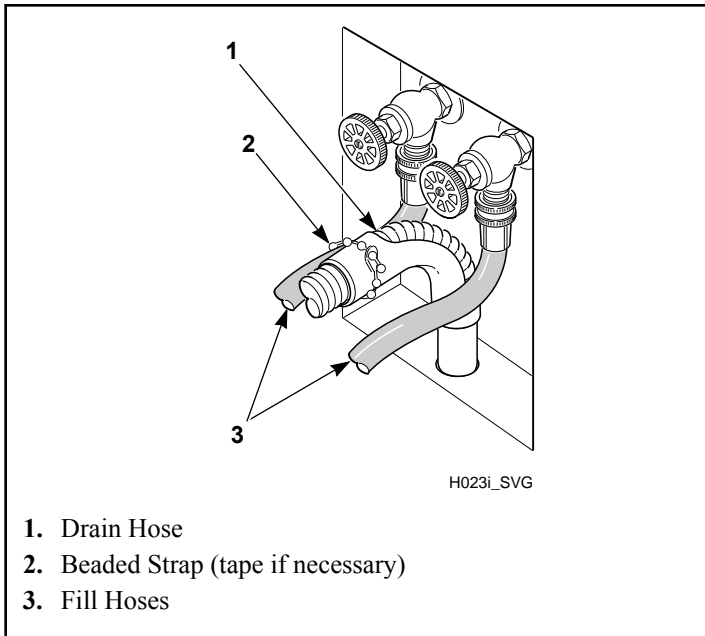


Figure 9

## Laundry Tub Installation

For this type of installation, the drain hose **MUST** be secured to the stationary tub to prevent hose from dislodging during use. Refer to *Figure 10*. Use the beaded strap (supplied in accessories bag) to secure hose.

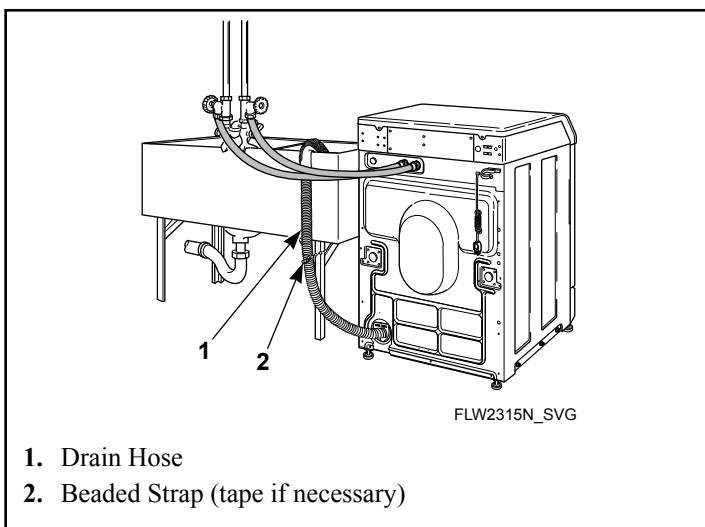


Figure 10

## Position and Level the Washer



### WARNING

Washers elevated above floor level must be anchored to that elevated surface, base or platform. The material used to elevate the washer should also be anchored to the floor to ensure that the washer will not walk or that the washer can not be physically pulled, tipped or slid from its installed position. Failure to do so may result in conditions which can produce serious injury, death and/or property damage.

W306

1. Position unit so it has sufficient clearance for installation and servicing.
 

**NOTE: Use of the dispenser drawer or washer door as a handle in the transportation of the washer may cause damage to the dispenser or door.**
2. Place unit in position on a solid, sturdy and level floor. Installing the unit on any type of carpeting, soft tile or other weakly supported structures is not recommended.
3. Place a level on the raised portion of cabinet top and check if the unit is level from side to side and front to back.
4. If unit is not level, tilt unit to access the front and rear leveling legs. For easier access to leveling legs, prop up unit with a wooden block.
5. Loosen 7/8 in. locknut and adjust legs by screwing into or out of unit base until the unit is level from side to side and front to back (using a level). Unit should not rock.
 

**NOTE: Leveling legs can also be adjusted from inside the unit using an adjustable wrench.**
6. Tighten the locknuts securely against the unit base. If the locknuts are not tight, unit will move out of position during operation.
 

**NOTE: DO NOT slide unit across floor if the leveling legs have been extended. Legs and base could become damaged.**
7. Remove rubber feet from accessories bag and place on all four leveling legs.
8. Verify that unit doesn't rock.

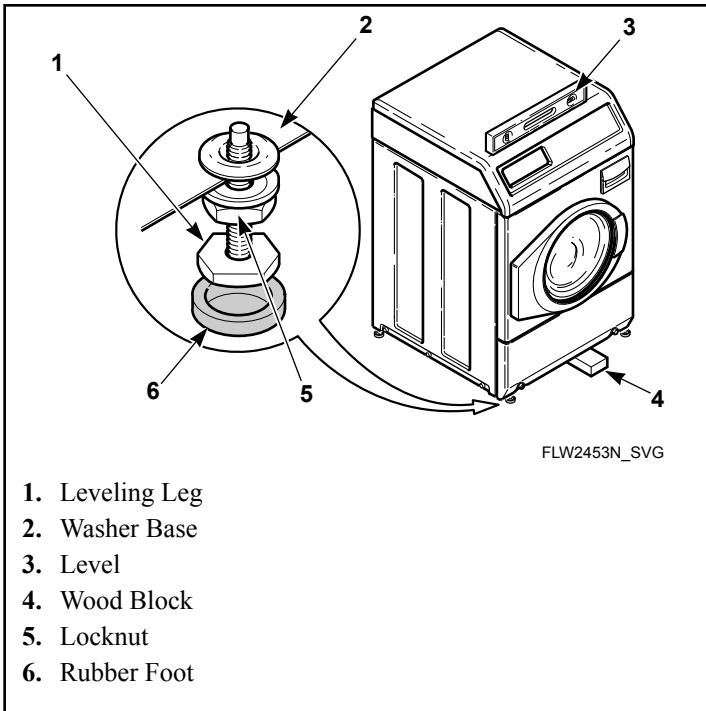


Figure 11

## Plug In the Washer

### Electrical Requirements

120 Volt, 60 Hertz with 3-Prong Earth/Ground Plug

**NOTE:** The wiring diagram is located in the control cabinet.

	<b>WARNING</b>
<p>To reduce the risk of fire, electric shock, serious injury or death, all wiring and protective earth/ground connections <b>MUST</b> conform with the latest edition of the National Electrical Code, ANSI/NFPA No. 70, and such local regulations as might apply. It is the customer's responsibility to have the wiring, fuses and circuit breakers installed by a qualified electrician to make sure adequate electrical power is available to the washer.</p>	
W824	

When plugging in the washer:

- DO NOT overload circuits.
- DO NOT use an extension cord.
- DO NOT use an adapter.
- DO NOT operate other appliances on the same circuit. Use separately fused 15 Amp circuits.

The washer is designed to be operated on a separate branch, polarized, three-wire, effective earth/ground, 120 Volt, 60 Hertz, AC (alternating current), circuit protected by a 15 ampere fuse, equivalent fusetron or circuit breaker.

The three-prong earth/ground plug on the power cord should be plugged directly into a polarized three-slot effective earth/ground receptacle rated 110/120 Volts AC (alternating current) 15 Amps. Refer to *Figure 13* to determine correct polarity of the wall receptacle.

## Wipe Out Inside of Wash Drum

Prior to first wash, use an all purpose cleaner or a detergent and water solution and a damp cloth to remove shipping dust from inside of the washer.

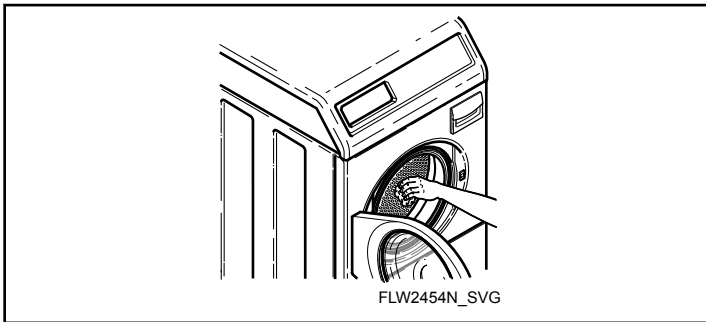
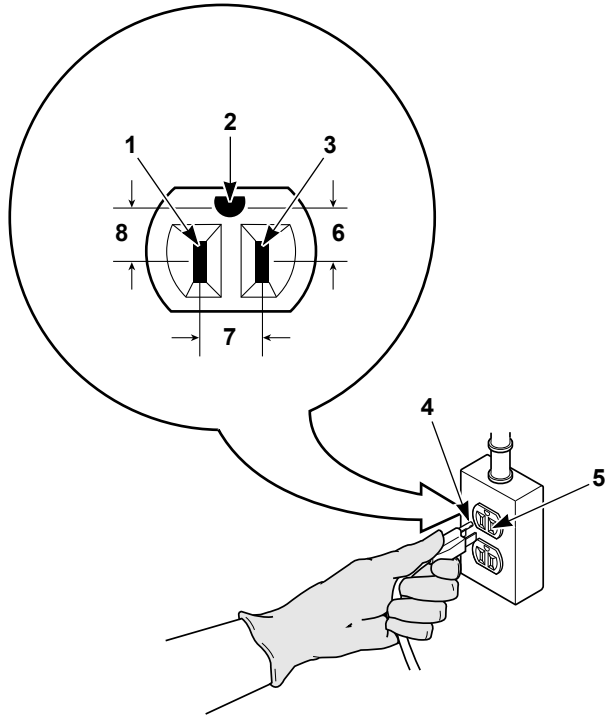


Figure 12

**Standard 120 Volt, 60 Hertz 3-Wire Effective Earth/ Ground Circuit**



TLW2287N\_SVG

- 1. L1
- 2. Earth/Ground
- 3. Neutral Side
- 4. Round Earth/Ground Prong
- 5. Neutral
- 6. 0 V.A.C.
- 7. 120 ± 12 V.A.C.
- 8. 120 ± 12 V.A.C.

Figure 13

led and connected to a protective earth/ground in accordance with all local codes and ordinances.



**WARNING**

**Improper connection of the equipment earth/ground conductor can result in a risk of electric shock. Check with a qualified electrician or service person if you are in doubt as to whether the unit is properly connected to a protective earth/ground.**

W893

- DO NOT modify the plug provided with the unit – if it will not fit the outlet, have a proper outlet installed by a qualified electrician.
- If the laundry room’s electrical supply does not meet the above specifications and/or if you are not sure the laundry room has an effective earth/ground, have a qualified electrician or your local electrical utility company check it and correct any problems.



**WARNING**

**This unit is equipped with a three-prong (earth/ground) plug for your protection against shock hazard and should be plugged directly into a protective earth/ground three-prong receptacle. Do not cut or remove the earth/ground prong from this plug.**

W823

**Check Installation**

1. Refer to Installer Checklist on the back cover of this manual and make sure that unit is installed correctly.
2. Run washer with a test load to make sure it is operating properly and properly leveled.
  - a. Put about six pounds of laundry (four bath towels and three jeans) into washer.
  - b. Close door.
  - c. Select Spin cycle and press Start.
  - d. When washer spins at high speed, verify that it is stable.
  - e. If it is not, after cycle is complete, refer to Position and Level the Washer to readjust leveling legs.



**WARNING**

**To reduce the risk of an electric shock or fire, DO NOT use an extension cord or an adapter to connect the washer to the electric power source.**

W082

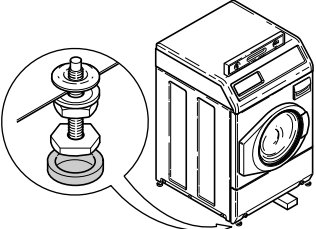
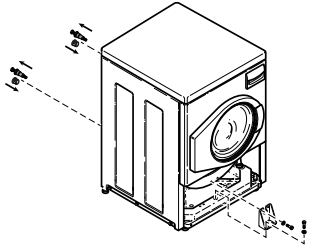
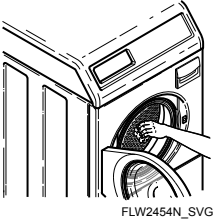
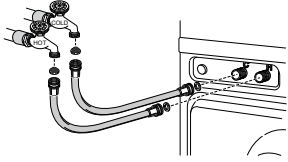
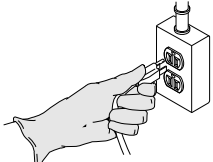
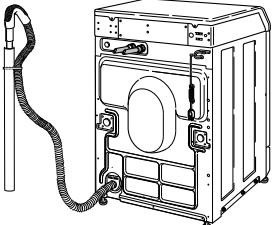
**Earth/Ground Instructions**

This appliance must be properly connected to protective earth/ground. In the event of malfunction or breakdown, the earth/ground will reduce the risk of electric shock by providing a path of least resistance for electric current.

The appliance is equipped with a cord having an equipment earth/ground conductor and a three-prong earth/ground plug. The plug must be plugged into an appropriate outlet that is properly instal-

# Installer Checklist

## Fast Track for Installing the Washer

1	Position Washer Near Installation Area.	5	Position and Level the Washer.	
	CHECK		 <p>FLW2453N_SVG1</p>	
2	Remove the Shipping Materials and Install Plugs.	 <p>FLW2455N_SVG</p>	6	Wipe Out Inside of Washer.
	CHECK		CHECK	 <p>FLW2454N_SVG</p>
3	Connect Fill Hoses.	 <p>FLW2304N_SVG</p>	7	Plug In the Washer.
	CHECK		CHECK	 <p>TLW2289N_SVG</p>
4	Connect Drain Hose to Drain Receptacle.	 <p>FLW2314N_SVG1</p>		
	CHECK			

Refer to the manual for more detailed information