

DEU2450RO



FEATURES

Accepts outdoor-rated stainless steel accessory panels and handles to match other Sub-Zero and Wolf outdoor appliances

Ensures grilling essentials and cool drinks are close by and always preserved at the ideal temperature

Flexible storage options with one stationary and two adjustable shelves

Intuitive, on-door touch control panel offers ergonomic, convenient access to settings

Offers precise temperature control within one degree of setpoint, preserving dairy, produce, craft beer, and other perishables at their optimal temperature

Crafted with stainless steel inside and out, it provides the most luxurious, professional aesthetic

Cleanup is simple with nano-coated, spill-proof shelves

Clear storage drawer provides quick access to essential items

Wi-Fi enabled features enable remote temperature control, provide important door-ajar notifications, and assist with remote service diagnostics—all from your mobile device

This model was designed for more than the outdoors—it incorporates beautifully into indoor spaces as well

ACCESSORIES

Custom Panel Lock Kit

Dual Install Kit - Handle-to-Drawer

Dual Install Kit - Handle-to-Handle

Stainless Steel Dual Kickplate

Outdoor Stainless Steel Solid Door Panels

Stainless Steel Solid Door Panels

Accessories are available through an authorized dealer. For local dealer information, visit subzero-wolf.com/locator.



HANDLE ACCESSORIES

PRO



TUBULAR



PRODUCT DETAILS

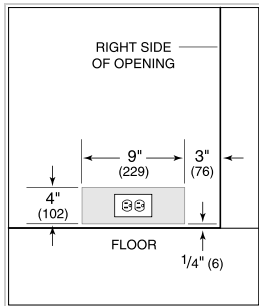
REFRIGERATOR

- One stationary and two adjustable shelves
- Clear storage drawer

PRODUCT SPECIFICATIONS

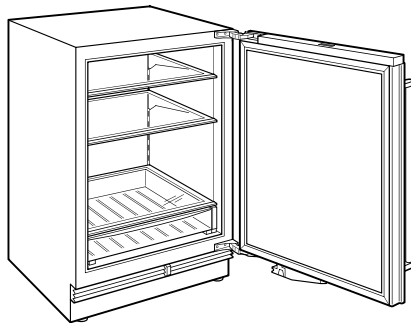
| | |
|-----------------------|------------------------------|
| Model | DEU2450RO |
| Dimensions | 24"W x 34 1/2"H x 23 1/8"D |
| Door Clearance | 26 1/2" |
| Weight | 153 lbs |
| Refrigerator Capacity | 5.4 cu. ft. |
| Electrical Supply | 115 VAC, 60 Hz |
| Electrical Service | 15 amp dedicated circuit |
| Receptacle | 3-prong grounding-type, GFCI |

ELECTRICAL



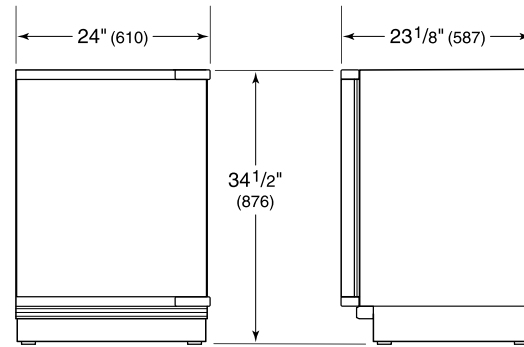
NOTE: Dimensions in parenthesis are in millimeters unless otherwise specified

INTERIOR VIEW

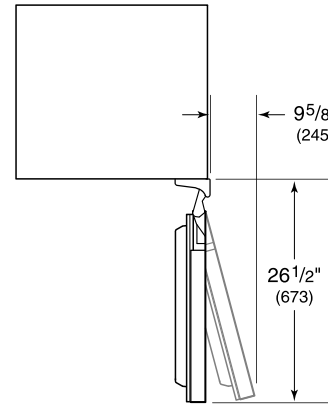


This illustration is intended for interior reference only and may not represent the exterior of the model being specified.

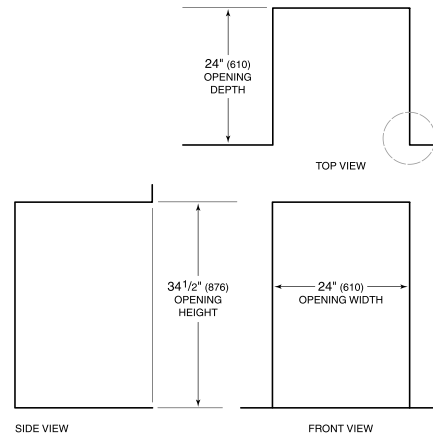
DIMENSIONS



HEIGHT DIMENSIONS ± 1/2" (13)



STANDARD INSTALLATION



NOTE: 3 1/2" (89) finished returns will be visible and should be finished to match cabinetry.

