

T24UR910LS

UNDER-COUNTER GLASS DOOR REFRIGERATOR

MASTERPIECE® SERIES HANDLE – LEFT HINGED



Also Available:

- T24UR910RS – Right Hinged with Masterpiece® Series Handle
- T24UR920LS – Left Hinged with Professional Series Handle
- T24UR920RS – Right Hinged with Professional Series Handle
- T24UR900LP – Left Hinged Custom Panel-Ready
- T24UR900RP – Right Hinged Custom Panel-Ready

FEATURES & BENEFITS

- Customizable cooling modes – Fridge, Pantry and Bar
- SoftClose® door hinges for ultra-smooth closing
- Fully adjustable tempered glass shelves
- Door Open Alarm
- LED theater Lighting
- Sabbath Mode
- Touch electronic controls for temperature management

GENERAL PROPERTIES

SoftClose® Door	Yes
Lighting	LED Lighting
Tempered Glass Shelves	4
Door Open Alarm	Yes
Quick Chill	Yes
Touch Electronic Controls	Yes
STAR-K Certified Sabbath Mode	Yes

CAPACITY

Total Capacity (cu. ft.)	5.1 cu. ft.
--------------------------	-------------

TEMPERATURE RANGES

Refrigerator	33°F (0.5°C) to 58°F (14.5°C)
Pre-Set Cooling Modes	Refrigerator 37°F (3°C) Pantry 53°F (12°C) Bar 34°F (1°C)
Quick Chill	Refrigerator 33°F (0.5°C) for approximately 24 hours

TECHNICAL DETAILS

Watts (W)	150 W
Current (A)	15 Amp
Volts (V)	115 V
Frequency (Hz)	60 Hz
Power Cord Length (in.)	60"
Plug Type	120V 3-Wire

DIMENSIONS & WEIGHT

Appliance Dimensions (H x W x D) (in.)	34 1/4"* x 23 7/8" x 24"
Required Cutout Size (H x W x D) (in.)	35" x 24 3/16" x 24 9/16"
Net / Gross Weight (lbs.)	190 / 205 lbs.

EFFICIENCY

ENERGY STAR® Qualified	Yes
Annual Energy Consumption	274 kWh

WARRANTY

Limited, Entire Appliance, Parts and Labor on any Part of the Refrigerator that Fails Because of a Manufacturing Defect

2 Year

Limited Warranty for Sealed Refrigeration System*; Parts and Labor

3rd to 6th Year

Limited Warranty for Sealed Refrigeration System*; Parts Only

7th to 12th Year

*Height adjustable + 1/2" (13 mm) with legs fully extended

**Sealed refrigeration system includes compressor, evaporator, condenser, dryer / strainer and connection tubing

T24UR910LS

UNDER-COUNTER GLASS DOOR REFRIGERATOR

MASTERPIECE® SERIES HANDLE - LEFT HINGED

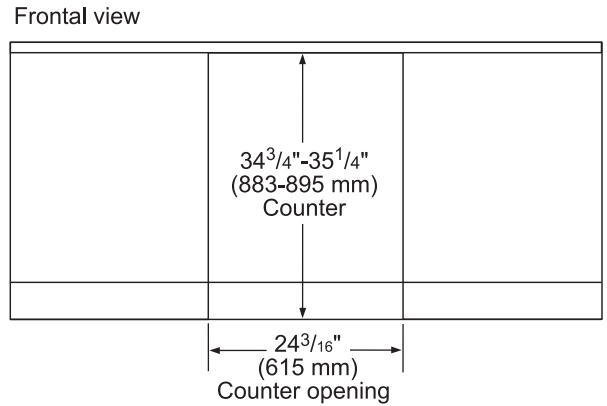


GLASS DOOR REFRIGERATOR PRODUCT DIMENSIONS

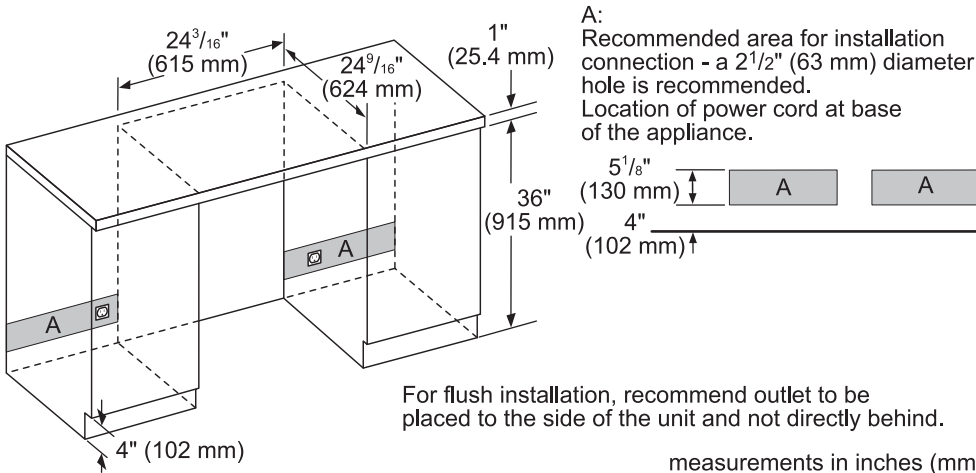


Note: With the legs fully retracted the product has a minimum dimension of 34¹/₄" from top to bottom. The legs can be extended up to 1/2".

GLASS DOOR REFRIGERATOR CUTOUT DIMENSIONS



GLASS DOOR REFRIGERATOR CUTOUT DIMENSIONS & ELECTRICAL LOCATION



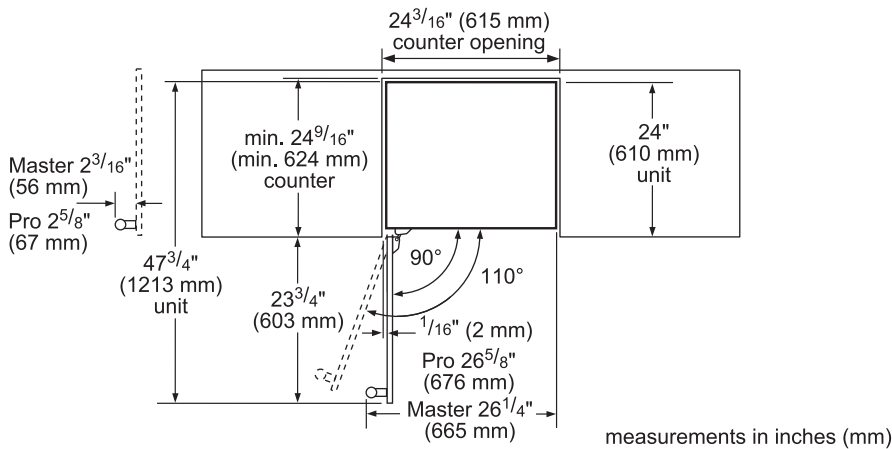
T24UR910LS

UNDER-COUNTER GLASS DOOR REFRIGERATOR

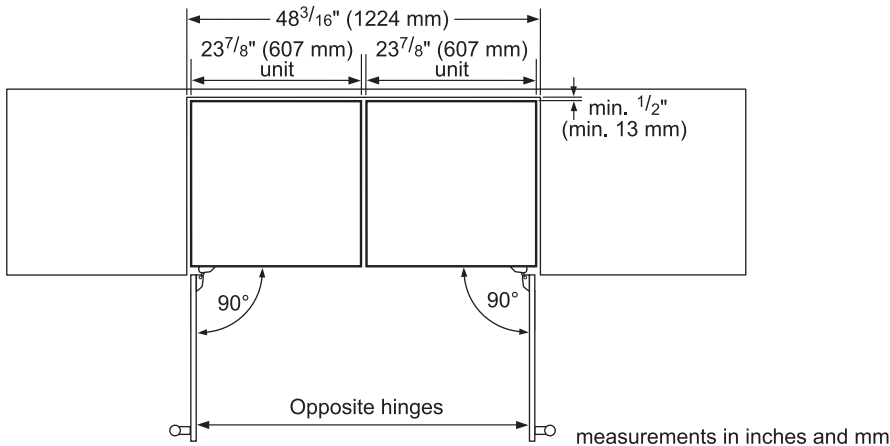
MASTERPIECE® SERIES HANDLE – LEFT HINGED



GLASS DOOR REFRIGERATOR CUTOUT & DOOR SWING DIMENSIONS



GLASS DOOR REFRIGERATOR SIDE-BY-SIDE INSTALLATION



ACCESSORIES (OPTIONAL)

HANDLES

NOTE: Choose one handle for each glass door model, choose 2 handles for each double drawer model.



MS22HNDL20
22-Inch Masterpiece® Series Handle

These warranties give you specific legal rights and you may have other rights that vary from state to state. Full warranty and limited warranty from date of installation. For complete warranty details, refer to your Use & Care manual, or ask your dealer.

Specifications are for planning purposes only. Refer to installation instructions and consult your countertop supplier prior to making counter opening. Consult with a heating and ventilation engineer for your specific ventilation requirements. For the most detailed information, refer to installation instructions accompanying product or write to Thermador indicating the model number. Specifications are correct at time of printing. Thermador reserves the right to change product specifications or design without notice. Some models are certified for use in Canada. Thermador is not responsible for products that are transported from the U.S. for use in Canada.