

# T36IT903NP

## 36-INCH BUILT-IN FRENCH DOOR BOTTOM FREEZER

FREEDOM® COLLECTION, PANEL-READY (WHITE INTERIOR)



### FEATURES & BENEFITS

- Freedom® Hinge enables true flush design
- ThermaFresh System, Humidity and Temperature controlled drawers
- SoftClose® Drawers and Produce Bins for easy and controlled storage
- Sleek clean design for the perfect symmetry when paired with additional columns
- TFT control panel managing all your columns functions

### TEMPERATURE RANGES

|                              |  |
|------------------------------|--|
| Refrigerator                 | 36°F (2°C) to 46°F (8°C)                         |
| SuperCool                    | 36°F (2°C) for approximately 6 hours             |
| Energy Saving (Economy) Mode | Refrigerator: 45°F (7°C)<br>Freezer: 3°F (-16°C) |
| Freezer                      | -11°F (-24°C) to 7°F (-14°C)                     |
| SuperFreeze®                 | -22°F (-30°C) for approximately 52 hours         |

### GENERAL PROPERTIES

|  |                                   |
|--|-----------------------------------|
| Home Connect™ (Wi-Fi Enabled)                    | Yes                               |
| Panel Ready                                      | Yes                               |
| Reversible Door Swing                            | No                                |
| SoftClose® Door                                  | Yes                               |
| SoftClose® Drawers                               | Yes                               |
| Carbon Air Filter                                | Yes                               |
| Lighting   | LED Sidewall and Theater Lighting |
| Refrigerator Shelves                             | 3                                 |
| Adjustable Shelves – Refrigerator                | 2                                 |
| Shelf Material                                   | Glass w/Aluminum Profile          |
| Full Extension Drawers @ 115° Door Opening Angle | Yes                               |
| Full Extension Drawers @ 90° Door Opening Angle  | Yes                               |
| Adjustable Temperature Drawer                    | 1                                 |
| Humidity Managed Drawer                          | 1                                 |
| Door Bins – Refrigerator                         | 4                                 |
| Gallon Door Bins – Refrigerator                  | 2                                 |
| Defrost Process – Freezer                        | Frost-Free                        |
| Freezer Baskets                                  | 2                                 |
| Ice Maker with Diamond Ice System                | Yes                               |
| Door Open Alarms                                 | Yes                               |
| Open Door Assist                                 | No                                |
| SuperCool  | Yes                               |
| SuperFreeze®                                     | Yes                               |
| Special Modes                                    | Sabbath, Economy, Vacation        |

### CAPACITY

|                       |              |
|-----------------------|--------------|
| Total Capacity        | 19.4 cu. ft. |
| Refrigerator Capacity | 13.9 cu. ft. |
| Freezer Capacity      | 5.5 cu. ft.  |

### TECHNICAL DETAILS

|                   |              |
|-------------------|--------------|
| Watts             | 350 W        |
| Current           | 15 A         |
| Volts             | 110-120 V    |
| Frequency         | 60 Hz        |
| Power Cord Length | 118"         |
| Plug Type         | 120V-3 Prong |

### DIMENSIONS & WEIGHT

|                                  |                          |
|----------------------------------|--------------------------|
| Appliance Dimensions (H x W x D) | 83 3/4"* x 35 3/4" x 24" |
| Required Cutout Size (H x W x D) | 84" x 36" x 25"          |
| Net / Gross Weight               | 468 / 510 lbs            |

### EFFICIENCY

|                           |         |
|---------------------------|---------|
| ENERGY STAR® Qualified    | Yes     |
| Annual Energy Consumption | 579 kWh |

\*Height adjustable + / -1/2" (+ / -13 mm)

# T36IT903NP

## 36-INCH BUILT-IN FRENCH DOOR BOTTOM FREEZER

FREEDOM® COLLECTION, PANEL-READY (WHITE INTERIOR)

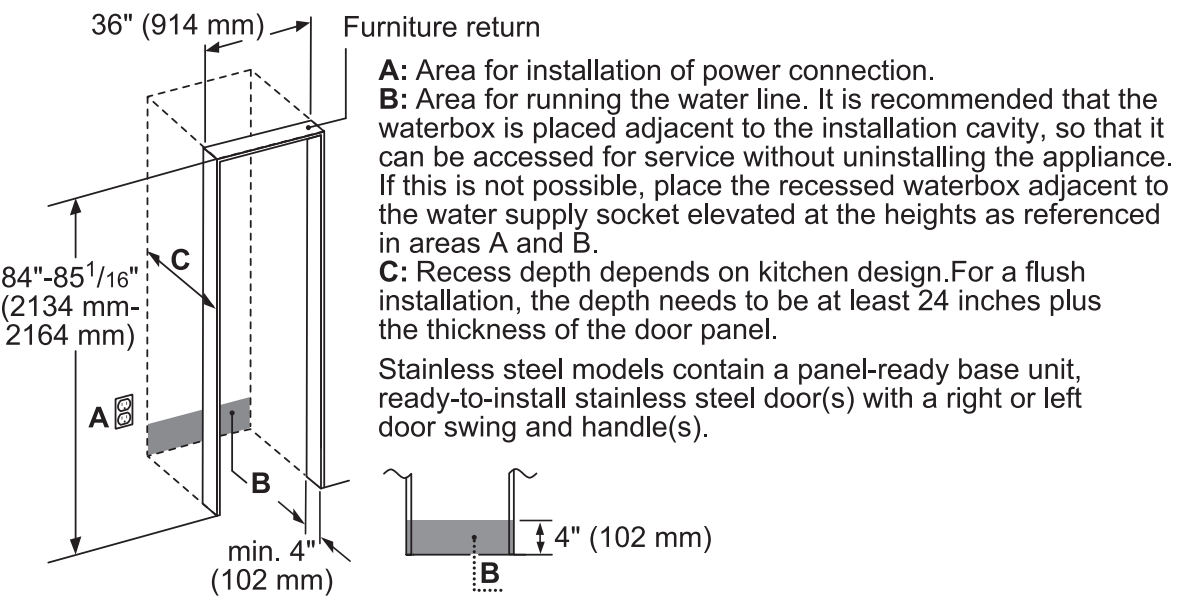


### WARRANTY

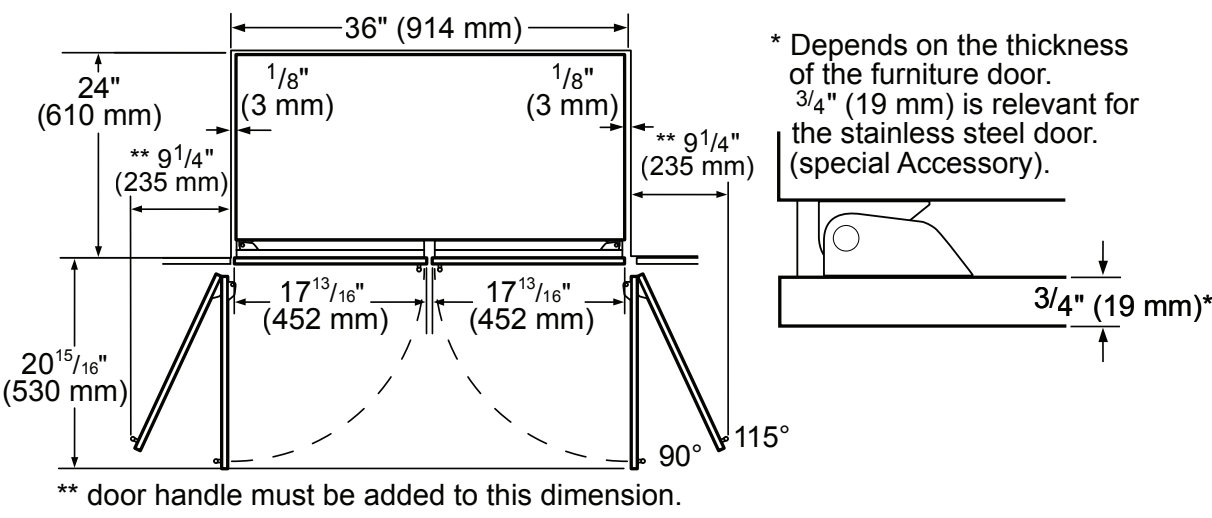
|   |                  |
|---|------------------|
| Limited, Entire Appliance, Parts and Labor on Any Part of the Refrigerator that Fails Because of a Manufacturing Defect | 2 Year           |
| Limited Warranty for Sealed Refrigeration System*; Parts and Labor  | 3rd to 6th Year  |
| Limited Warranty for Sealed Refrigeration System*; Parts Only   | 7th to 12th Year |
| Limited Warranty for Stainless Steel Rust-Through   | Lifetime         |

\*Sealed refrigeration system includes compressor, evaporator, condenser, dryer / strainer and connection tubing

### CUTOUT DIMENSIONS



### TOP VIEW CLEARANCE



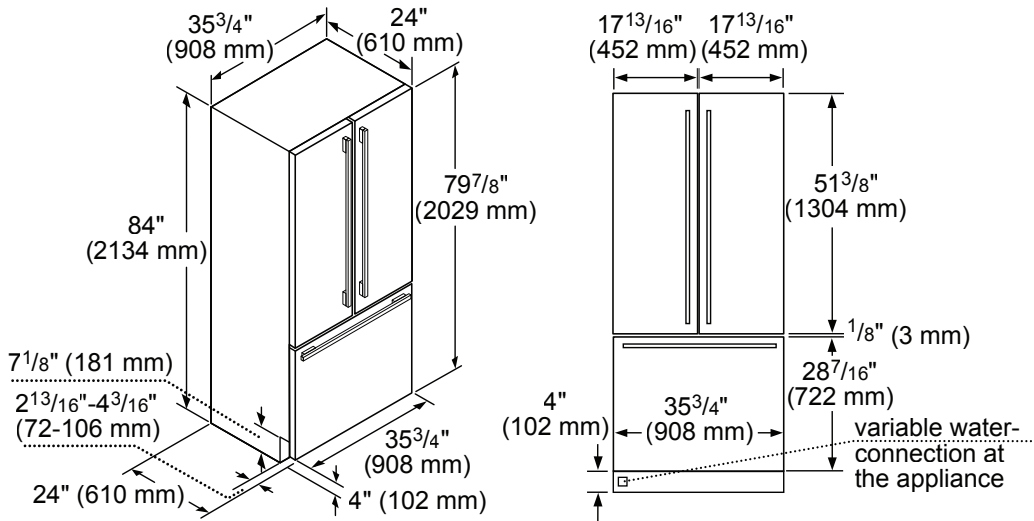
# T36IT903NP

## 36-INCH BUILT-IN FRENCH DOOR BOTTOM FREEZER

FREEDOM® COLLECTION, PANEL-READY (WHITE INTERIOR)



### PRODUCT AND PANEL DIMENSIONS



### ACCESSORIES (OPTIONAL)

#### FLAT STAINLESS STEEL DOOR PANELS

36-Inch French Door Flat Stainless Steel Door Panel



- TFL36IT800**  
For use with Handle
- TFL36IT905**  
Handleless

#### HANDLES

Choose between two options:



- PR36HNDL20 (QTY. 3)**  
36-Inch Professional Series Handle

or



- MS36HNDL20 (QTY. 3)**  
36-Inch Masterpiece® Series Handle

#### STORAGE



- 3DHFGALBIN**  
French Door Half Gallon Bin



- SPRODBIN10**  
Small Produce Bin



- 3DPRODRAIL**  
French Door Produce Railing

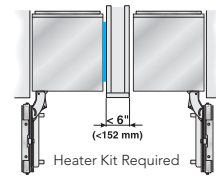
#### FILTERS



- REPLFLTR55**  
Freedom® Water Filter Replacement water filter for use in all freezer and bottom freezer models

#### FRAMEKIT10

- FRAMEKIT10**  
Freedom® Frame Kit For any custom column installation in 24-inch deep cutouts. With two metal side trims whose placement between the interior cutout wall and the appliance helps overcome the challenge of unfinished cabinet returns.



#### HEATRKIT20 - 13W @ 120V

Freedom® Heater Kit  
When two appliances are installed side-by-side a sealing kit must be used. For combinations that involve a freezer column, this kit is included. For all other (non-traditional, i.e. two wine columns, two bottom freezers, etc.) side-by-side combinations or instances where any appliances are installed less than 6-inches (152 mm) apart from one another but not connected side-by-side, purchase this kit. This kit is recommended for use with any installation in areas that are subject to humidity, or located next to an outside wall.

These warranties give you specific legal rights and you may have other rights that vary from state to state. Limited warranty from date of purchase. For complete warranty details, refer to your Use & Care manual, or ask your dealer.

Specifications are for planning purposes only. Refer to installation instructions and consult your countertop supplier prior to making counter opening. Consult with a heating and ventilation engineer for your specific ventilation requirements. For the most detailed information, refer to installation instructions accompanying product or write to Thermador indicating the model number. Specifications are correct at time of printing. Thermador reserves the right to change product specifications or design without notice. Some models are certified for use in Canada. Thermador is not responsible for products that are transported from the U.S. for use in Canada.