

600 CFM Flexible Blower for Downdraft



Product Features

Performance

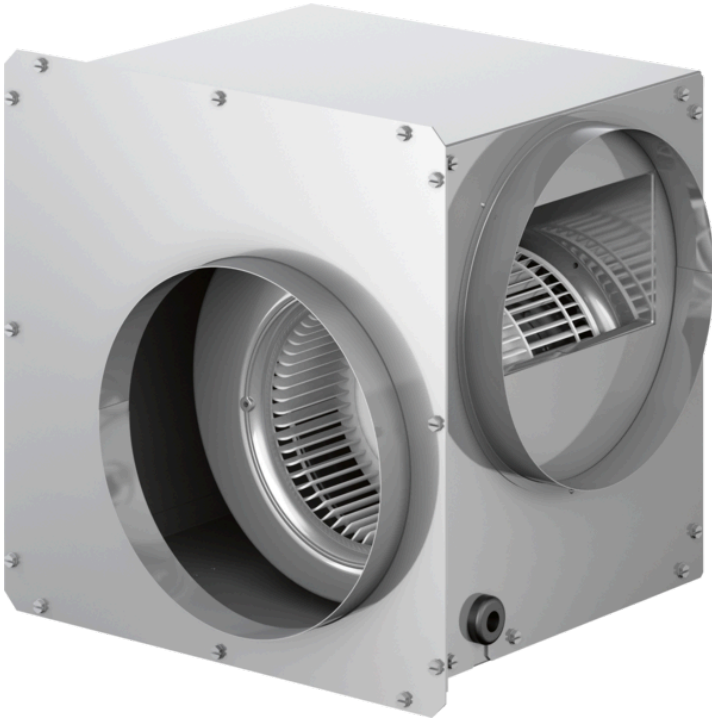
Designed for use with UCVM30RS, UCVM36RS and UCVP36RS downdrafts

Capable up to 600 CFM in performance

Some blower positions may need deeper cabinets. See installation guide

Recirculation kit available, use with induction/electric cooktops only

Additional accessories may be required for installation, see manual



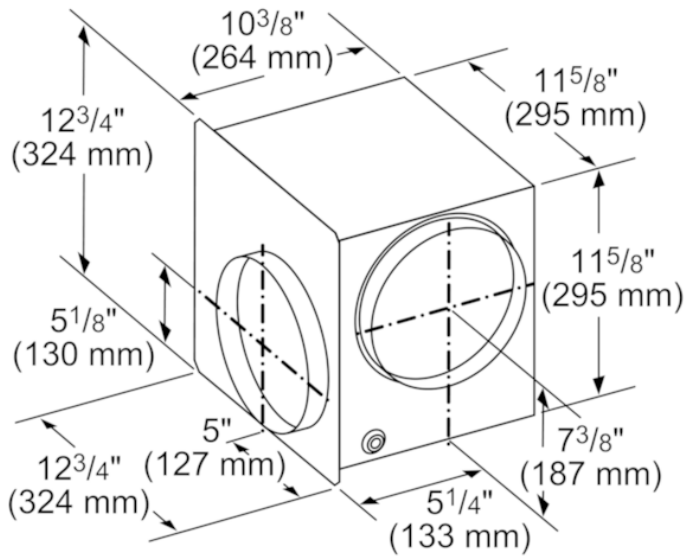
Notes: Please refer to installation instructions. Installation instructions are available at www.thermador.com. Specifications are correct at the time of printing. Thermador reserves the right to change product specifications and design at any time, without notice.

1 800 735 4328 | WWW.THERMADOR.COM | 1901 Main Street, Suite 600 Irvine, CA 92614

©2019 BSH HOME APPLIANCES CORPORATION, ALL RIGHTS RESERVED LITHO DATE: 04/2019



600 CFM Flexible Blower for Downdraft



measurements in inches (mm)

Product Features

Operating Mode	Ducted
----------------	--------

Technical Specification

UPC code	825225919100
Material	Lacquered
Watts (W)	530
Volts (V)	120
Frequency (Hz)	60
Approval certificates	UL
Plug type	120V-3 prong
Overall appliance dimensions (HxWxD) (in)	15 1/8" / x 14 3/8" x
Product packaging dimensions (HxWxD) (in)	14.49 x 14.62 x 15.99
Net weight (lbs)	20
Gross weight (lbs)	22
Motor location	External motor
Maximum CFM	600
Diameter of air duct (in) top	8
Discharge direction	downward
No-return airflow flap	No

Notes: Please refer to installation instructions. Installation instructions are available at www.thermador.com. Specifications are correct at the time of printing. Thermador reserves the right to change product specifications and design at any time, without notice.

1 800 735 4328 | WWW.THERMADOR.COM | 1901 Main Street, Suite 600 Irvine, CA 92614

©2019 BSH HOME APPLIANCES CORPORATION, ALL RIGHTS RESERVED LITHO DATE: 04/2019

