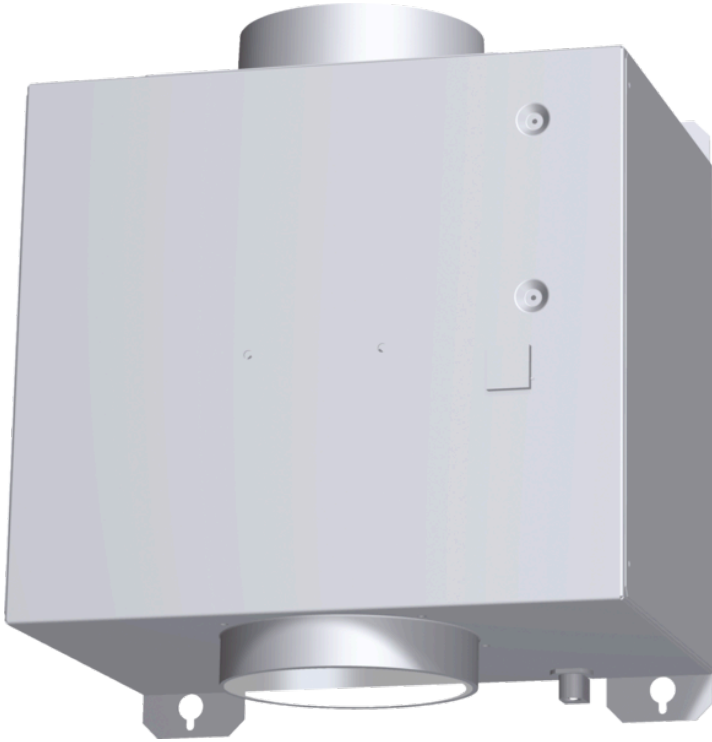


600 CFM Inline Blower



Product Features

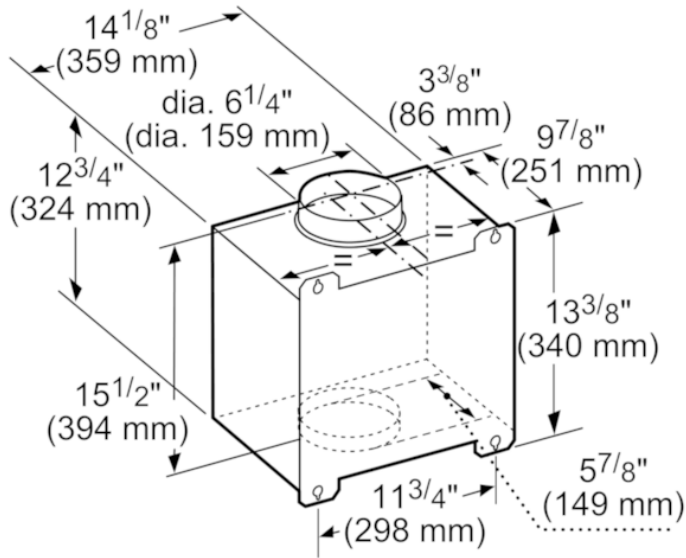


Notes: Please refer to installation instructions. Installation instructions are available at www.thermador.com. Specifications are correct at the time of printing. Thermador reserves the right to change product specifications and design at any time, without notice.

1 800 735 4328 | WWW.THERMADOR.COM | 1901 Main Street, Suite 600 Irvine, CA 92614

©2019 BSH HOME APPLIANCES CORPORATION, ALL RIGHTS RESERVED LITHO DATE: 05/2019

600 CFM Inline Blower



measurements in inches (mm)

Product Features

Operating Mode	Ducted
Number of speed settings	4-stage
Optional accessories	EXTNCB25

Technical Specification

UPC code	825225941231
Material	Alu
Watts (W)	530
Volts (V)	120
Frequency (Hz)	60
Approval certificates	CSA
Plug type	120V-3 prong
Overall appliance dimensions (HxWxD) (in)	15 1/2" / x 9 7/8" x
Product packaging dimensions (HxWxD) (in)	16.88 x 26.73 x 24.37
Net weight (lbs)	20
Gross weight (lbs)	21
Motor location	Integrated motor in hood chimney
Maximum CFM	600
Diameter of air duct (in) top	6
Discharge direction	vertical
No-return airflow flap	No

Notes: Please refer to installation instructions. Installation instructions are available at www.thermador.com. Specifications are correct at the time of printing. Thermador reserves the right to change product specifications and design at any time, without notice.

1 800 735 4328 | WWW.THERMADOR.COM | 1901 Main Street, Suite 600 Irvine, CA 92614

©2019 BSH HOME APPLIANCES CORPORATION, ALL RIGHTS RESERVED LITHO DATE: 05/2019