

# 2224WC

24" Wine Captain® Model • 2000 Series



## FEATURES & BENEFITS



STAINLESS  
FRAME



STAINLESS  
FRAME (LOCK)



INTEGRATED  
FRAME



INTEGRATED  
FRAME (STAINLESS  
HANDLELESS  
PANEL)\*



INTEGRATED  
SOLID



INTEGRATED  
SOLID (STAINLESS  
HANDLELESS  
PANEL)\*

### PERFORMANCE

- Volume of 4.7 cu ft holds up to 43 wine bottles (750 ml)
- Digital Touch Pad Control is conveniently located on upper face of unit
- Temperature range: 38°F - 65°F
- Convection cooling system
- Rubber mounted compressor virtually eliminates vibration
- Exceeds 2019 energy standard by 56% (Tested according to 2019 Department of Energy - standard 10 C.F.R. section 430.23)

### INTERIOR/EXTERIOR

- Black interior is illuminated with LED lighting that automatically turns off when the door is closed, or can be set to stay on for 3 hours
- Full extension black coated wine racks allow for easy access
- Wine racks accommodate a variety of bottle shapes and sizes, while fourth and fifth racks allow for larger diameter wine and champagne bottles
- LowE coated, argon gas filled, triple thermopane glass door provides protection from harmful UV Light
- Stainless steel handle (7/8" diameter)
- The door swing on non-lock models is field reversible, and is shipped right-hand hinged
- Lock models must be ordered right-hand or left-hand hinged

### INTEGRATION

- Solid natural beech wood fronts on wine racks can easily be stained to match surrounding cabinetry
- Robust, concealed and covered hinges with built-in door stop and closer
- Integrated model requires 3/4" custom panel of your choice, or can accept U-Line Euro Style Handleless Stainless Panel Accessory (must be ordered separately)
- Fixed grille can accept an integrated toe-kick
- Four independently adjustable leveling legs provide a precise undercounter fit

## MODEL DETAILS

Model	Voltage/Hz	Door Swing	Finish	Shipping Weight
U-2224WCS-00A	115 / 60	Field Reversible	Stainless Frame	160 lb
U-2224WCS-13A	115 / 60	Right-Hand Hinged	Stainless Frame (Lock)	160 lb
U-2224WCS-15A	115 / 60	Left-Hand Hinged	Stainless Frame (Lock)	160 lb
U-2224WCINT-00A	115 / 60	Field Reversible	Integrated Frame	157 lb
U-2224WCINT-60A	115 / 60	Field Reversible	Integrated Solid	150 lb

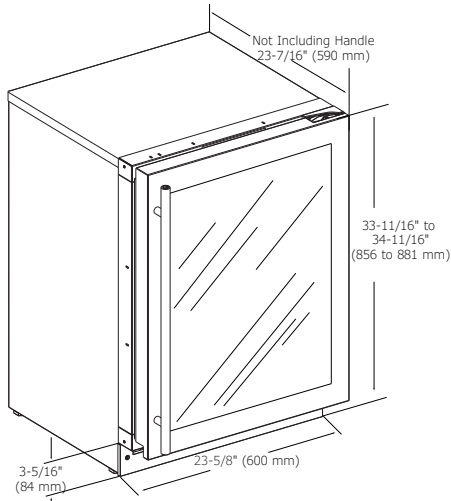
## ACCESSORIES

Model	Description	Finish	Shipping Weight
ULASHP24FRAME*	Stainless Handleless Panel Frame	Stainless	8 lb
ULASHP24SOLID*	Stainless Handleless Panel Solid	Stainless	12 lb

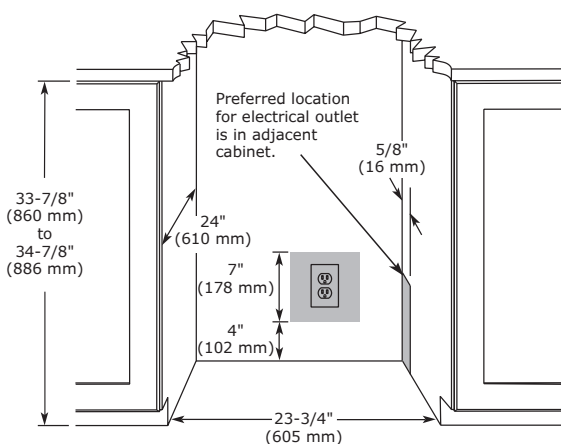
\*Installs on integrated models.

### DIMENSIONS

Dimensions shown apply to all finishes, including Integrated (INT) models with 3/4" integrated panel/frame installed.



### CABINET CUT-OUT



### INSTALLATION NOTES

When installing adjacent to wall, ensure 2 1/2" clearance on hinged side for 90° door opening, allowing ample room for door handle.

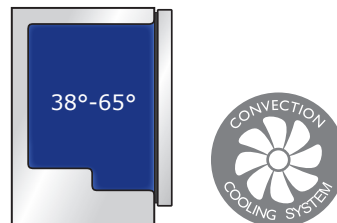
No additional clearance around sides, top or rear of unit is needed for ventilation.

Do not obstruct front grille air flow.

### SPECIFICATIONS

Model	2224WC
Amps: Running	1.2
Capacity: Average Volume (cu ft)	4.7
Capacity: Wine Bottle (750 ml)	43
Control Type	Digital Touch Pad
Dimensions: Product Depth	23 7/16" / 590 mm
Dimensions: Product Height	33 11/16" / 856 mm
Dimensions: Product Width	23 5/8" / 600 mm
Energy Consumption: Avg. Per Year	85 kWh
ENERGY STAR	N/A
Panel Height	30" / 762 mm
Panel Thickness	3/4" / 20 mm
Panel Type	2 3/4" / 70 mm Frame Panel or Solid Panel (-60 suffix)
Panel Width	23 1/2" / 595 mm
Product Weight: Max	150 lb
Refrigerant Type	R600a
Sabbath (Star K Certified)	Yes
Temperature Range	38°F - 65°F

### COOLING SYSTEM



### ELECTRICAL REQUIREMENTS

This unit requires a grounded, polarized 115 VAC, 60 Hz, 15 A power supply (normal household current).



Please visit [u-line.com](http://u-line.com) to view this model's User Guide & Service Manual. All Specifications are subject to change without notice.