



Stainless Solid



Black Solid



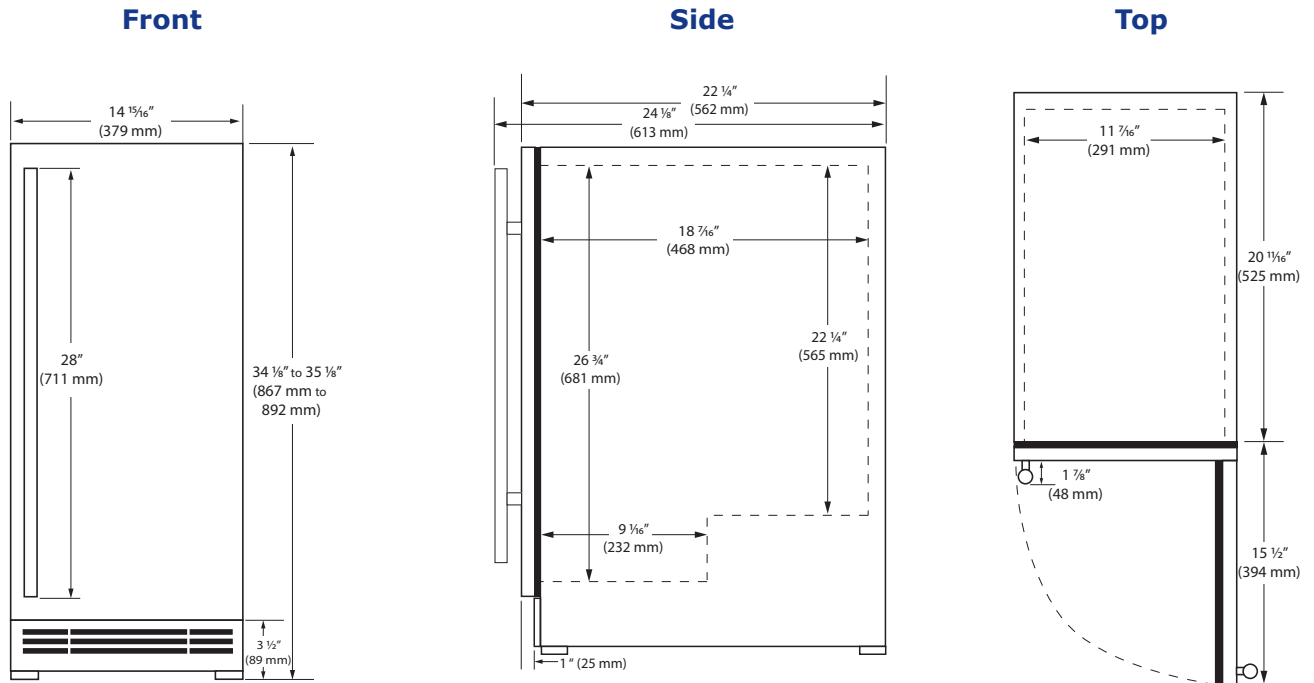
Integrated Solid

### Key Features

- Convection cooling system provides a quick cool down and consistent temperature
- Black interior
- Stainless steel full-wrap door and handle (7/8" diameter)
- Integrated model requires 3/4" custom door panel and handle (not supplied by U-Line)
- Stainless steel grille (stainless model), black metal grille (black & integrated models)
- Three adjustable tempered glass shelves
- Digital touch pad control
- Temperature range: 34°F to 60°F
- Bright white LED lighting
- Volume of 3.1 cu ft holds up to 57 bottles (12 oz) or 92 cans (12 oz)
- Field reversible door is shipped right-hand hinged
- Built-in or freestanding
- Four adjustable leveling legs

### Model Details

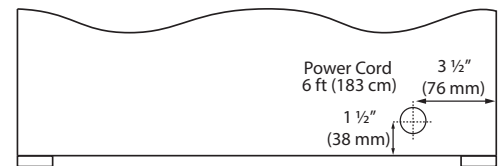
Model	Voltage/Hz	Door Swing	Finish	Shipping Weight
UHRE115-SS01A	115 / 60	Field Reversible	Stainless Solid	87 lb
UHRE115-IS01A	115 / 60	Field Reversible	Integrated Solid	81 lb
UHRE115-BS01A	115 / 60	Field Reversible	Black Solid	87 lb



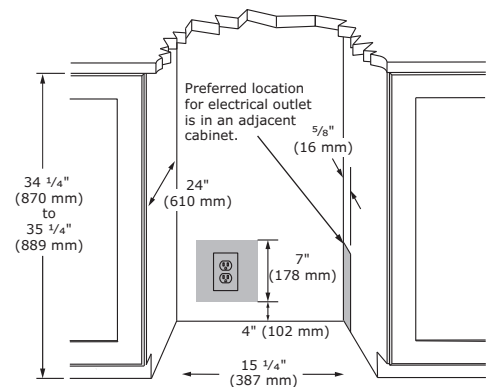
### Specifications

Model	HRE115
Amps: Running (115 v)	1.2 A
Capacity Bottle	57
Capacity Can	92
Capacity: Total Volume (cu ft)	3.1 cu ft
Dimensions: Product Depth	22 1/4" / 562 mm
Dimensions: Product Height	34 1/8" / 867 mm
Dimensions: Product Width	14 15/16" / 379 mm
ENERGY STAR	Tier 3
Energy Consumption: Avg. Per Year	225 kWh
Panel Height	30 1/4" / 768 mm
Panel Thickness	3/4" / 20 mm
Panel Type	Solid Panel
Panel Width	14 3/4" / 375 mm
Refrigerant Type	R600a
Sabbath (Star K Certified)	Yes
Temperature Range	34°F to 60°F

### Back



### Cabinet Cut-Out



### Warranty

- 1 Year (parts & labor) / 5 year sealed system (parts)
- + **Additional 1 Year (parts & labor) warranty at no cost with product registration**

See complete warranty for details



### Installation Notes

- 15" cutout width sufficient if door protrudes beyond adjacent cabinetry
- No additional clearance is needed for ventilation
- Do not obstruct front grille air flow



Please visit [u-line.com](http://u-line.com) to view this model's User Guide & Service Manual. All Specifications are subject to change without notice.