

Every day, care.™

Front Control Electric Ranges

PRELIMINARY

Spec subject to vary

Available colors



WEE510S0F

NEW

30" Freestanding Range - 4.8 cu. ft.



TimeSavor™ system

- Frozen Bake™ Technology



QuickSelect™ system

- Guided Cooktop Controls
- FlexHeat™ Dual Radiant Elements



HeatRight™ system

- Temperature Sensor



CompleteClean System

- Adjustable Self Cleaning
- Easy Wipe Ceramic Glass Cooktop



ReadySet™ system

- Keep Warm
- Delay Cook

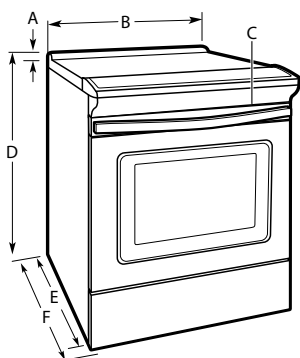


HelpingHand™ System

- Sabbath Mode
- Star-K Certified
- ADA Compliant

Product Dimensions

This manual covers several models. Your model may appear different from the models depicted. Dimensions given are maximum dimensions across all models.



- A. 13¹/₈" (3.0 cm) height from cooktop to top of vent
- B. 29¹/₈" (75.9 cm)
- C. Model/serial/rating plate (located behind the oven door on the top right-hand side of the oven frame)
- D. 36" (91.4 cm) height to top of cooktop edge with leveling legs screwed all the way in*
- E. 28⁵/₈" (72.1 cm) max. depth from front of console to back of range
- F. 29¹/₈" (73.7 cm) max. depth from handle to back of range

IMPORTANT: Range must be level after installation. Follow the instructions in the "Level Range" section. Using the cooktop as a reference for leveling the range is not recommended.

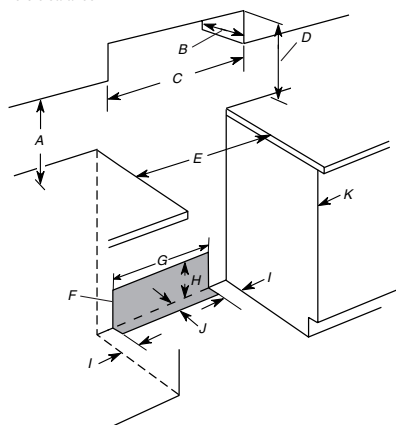
* Range can be raised approximately 1" (2.5 cm) by adjusting the leveling legs.

Cabinet Dimensions

Cabinet opening dimensions shown are for 25" (64.0 cm) countertop depth, 24" (61.0 cm) base cabinet depth and 36" (91.4 cm) countertop height.

IMPORTANT: If installing a range hood or microwave hood combination above the range, follow the range hood or microwave hood combination installation instructions for dimensional clearances above the cooktop surface.

Range may be installed next to combustible walls with zero clearance.



- A. 18" (45.7 cm) upper side cabinet to countertop
- B. 13" (33 cm) max. upper cabinet depth
- C. 30" (76.2 cm) min. opening width
- D. For minimum clearance to top of cooktop, see NOTE*.
- E. 30" (76.2 cm) min. opening width
- F. The shaded area is recommended for installation of grounded outlet.
- G. 13¹/₈" (33.3 cm)
- H. 7¹/₈" (19.5 cm)
- I. 4¹/₈" (12.2 cm)
- J. 3¹/₈" (9.4 cm)
- K. Cabinet door or hinges should not extend into the cutout.

* NOTE: 24" (61.0 cm) minimum when bottom of wood or metal cabinet is shielded by not less than 1/4" (0.64 cm) flame retardant millboard covered with not less than No. 28 MSG sheet steel, 0.015" (0.4 mm) stainless steel, 0.024" (0.6 mm) aluminum or 0.020" (0.5 mm) copper.

30" (76.2 cm) minimum clearance between the top of the cooking platform and the bottom of an uncovered wood or metal cabinet.

SPECIFICATIONS AND INSTALLATION

Amps	40
Hz	60
Volts	120/240



NOTE: Actual models may vary.

©/™ ©2016 Whirlpool. All rights reserved. 5/16. Form No. WC160101A | whirlpool.com