

CE304T/S

**FEATURES**

Accommodates different pans sizes easily due to two elements and three zones

Controls performance with high-frequency pulsation technology

Revel in a true simmer setting for soups, sauces, and more

Set it super-low for fine chocolate and other delicate foods

Offers both True Simmer and Melt settings

Cleanup is a snap with the black ceramic glass surface

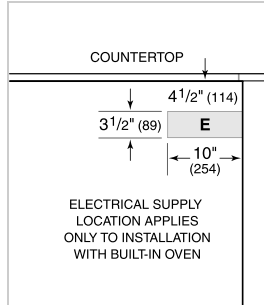
**COOKTOP SPECIFICATIONS**

- Black glass ceramic surface
- Triple-zone and bridge-zone elements
- True simmer and melt settings
- 1 - 1,050/1,950/2,700 W element
- 2 - 1,200 W elements
- 1 - 2,400 W element with oval

PRODUCT SPECIFICATIONS

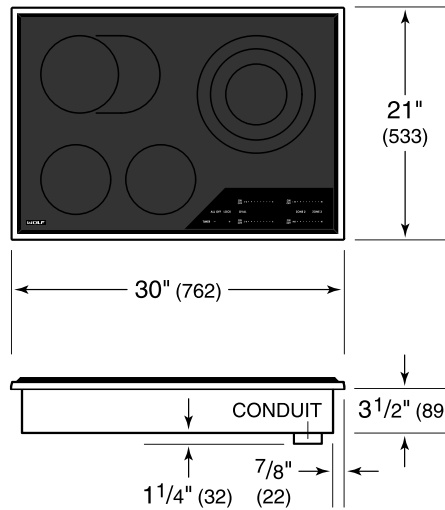
| | |
|--------------------|--------------------------|
| Model | CE304T/S |
| Dimensions | 30"W x 3 1/2"H x 21"D |
| Electrical Supply | 3-wire, 240 VAC, 60 Hz |
| Electrical Service | 40 amp dedicated circuit |
| Conduit Length | 4 Feet |

ELECTRICAL

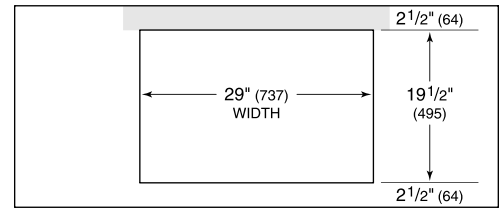


NOTE: Dimensions in parenthesis are in millimeters unless otherwise specified

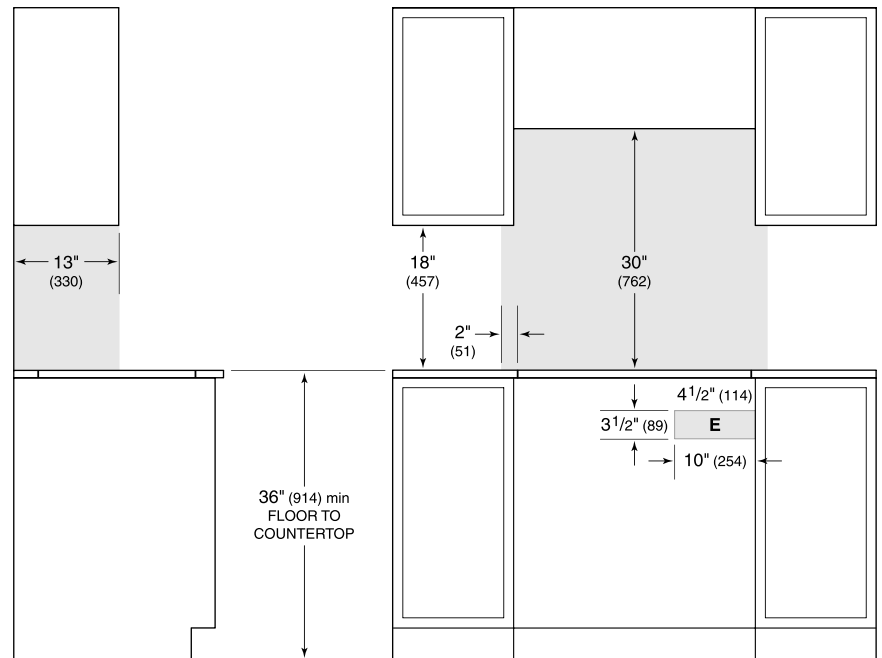
DIMENSIONS



STANDARD INSTALLATION



COUNTERTOP CUT-OUT



SIDE VIEW

FRONT VIEW

NOTE: Shaded area above countertop indicates minimum clearance to combustible surfaces, combustible materials cannot be located within this area. Electrical supply location only applies to installations with built-in oven.