

DF364G



FEATURES

Cook at higher highs and lower lows with four dual-stacked, sealed burners that produce up to 20,000 Btu and deliver as low as 300 Btu

Rely on a 15,000 Btu infrared griddle to sear burgers, stir-fry vegetables, and more

Clean up splashes and spills easily with the seamless, sealed, black porcelain-coated burner pans

Assures predictably delicious results with a variety of modes including Convection Roast, Proof, and Dehydrate

Control heat and airflow expertly as dual convection creates just the right cooking environment for everything from Cornish hens to cherry pie to butternut squash

Leave nothing to chance. Our temperature probe alerts you when your dish has reached the desired temperature for worry-free, delicious results

Includes options such as self-clean, delayed start, timed cook, Sabbath mode, and more

Operate easily with a touchscreen control panel that rotates out of sight when not in use

Re-ignites flame automatically with our spark ignition system for improved temperature control and added safety

Move pots and pans around easily with continuous cast-iron grates

Find your kitchen style with a choice of iconic red, black, or brushed stainless control knobs

See food clearly with bright interior halogen lights and large double-panel glass door windows

ACCESSORIES

11" Cutting Board

2-Burner Wok Grate

3 1/4" (83) Front Leg Covers

3 1/4" (83) Rear Caster Covers

3 3/4" (95) Front Leg Covers

3 3/4" (95) Rear Caster Covers

30" Broiler Pan

36" Bake Stone Kit

36" Black Knobs

36" Full-extension ball-bearing oven rack

36" Red Knobs

36" Stainless Steel Kickplate

36" Stainless Steel Knobs

4 1/4" (108) Front Leg Covers

4 1/4" (108) Rear Caster Covers

4 3/4" (121) Front Leg Covers

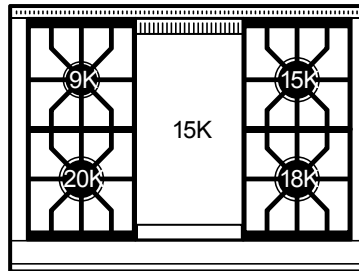
4 3/4" (121) Rear Caster Covers



KNOB OPTIONS



TOP CONFIGURATION



RANGETOP SPECIFICATIONS

- 1 - 9,200 Btu burner
- 1 - 15,000 Btu burner
- 1 - 18,000 Btu burner
- 1 - 20,000 Btu burner
- 1 - 15,000 Btu (14,000 Btu LP) griddle
- 2 cast-iron grates
- Stainless-steel griddle cover

Dehydration Kit

Filler Trim

Griddle Cleaning Pads

Griddle Cleaning Kit

Griddle Cleaning Solution

Oven Rack Set (3)

S-Grates

Temperature Probe

Stainless steel, brass or chrome bezels

5" and 10" stainless steel risers, and 20" riser with shelf

Accessories available through an authorized dealer.

For local dealer information, visit subzero-wolf.com/locator.

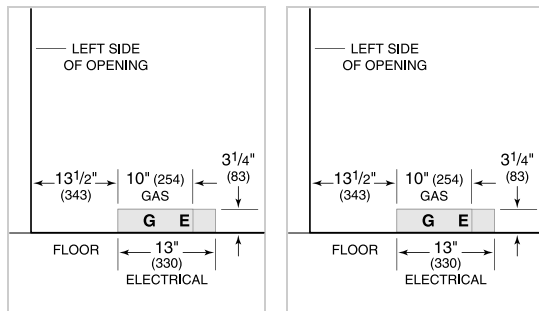
Specifications are subject to change without notice. This information was generated on April 4, 2019. Verify specifications prior to finalizing your cabinetry/enclosures.

PRODUCT SPECIFICATIONS

Model	DF364G
Dimensions	35 7/8"W x 36 7/8"H x 29 1/2"D
Oven 1 Usable Capacity	3.5 cu. ft.
Oven 1 Overall Capacity	5.4 cu. ft.
Door Clearance	19 1/2"
Electrical Supply	240/208 VAC, 60 Hz
Electrical Service	30 amp dedicated circuit
Gas Supply	3/4" ID line
Gas Inlet	1/2" NPT female

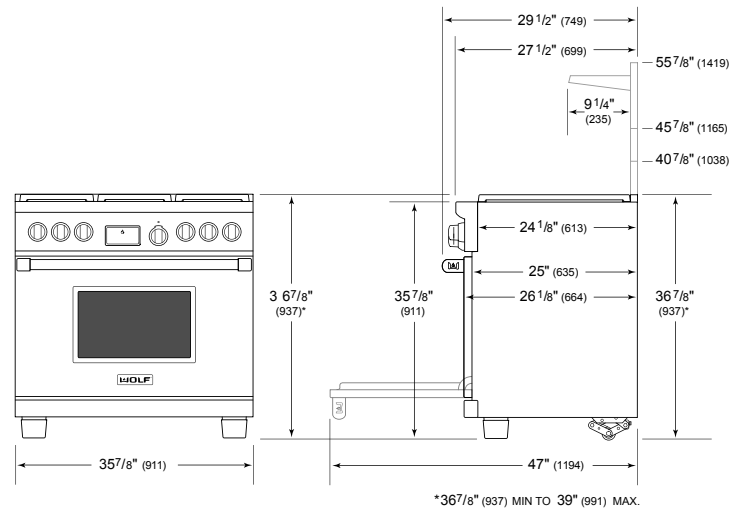
ELECTRICAL

GAS



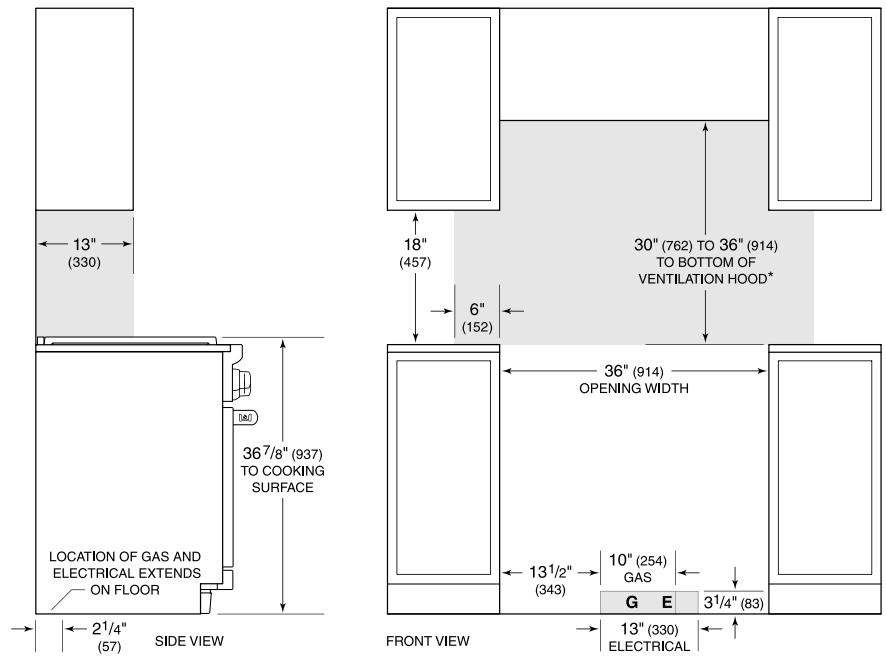
NOTE: Dimensions in parenthesis are in millimeters unless otherwise specified

DIMENSIONS



*36 7/8" (937) MIN TO 39" (991) MAX.

STANDARD INSTALLATION



*Without ventilation hood, 36" (914) minimum clearance countertop to combustible materials, 44" (1118) for charbroiler.

NOTE: Shaded area above countertop indicates minimum clearance to combustible surfaces, combustible materials cannot be located within this area.

For island installation, 12" (305) minimum clearance back of range to combustible rear wall above countertop.