

OG 54

FEATURES

Sear steaks on high while sides cook more gently on low with six individually contained 24,000 Btu grill burners

Have it built-in or make it a free-standing cart

Gain nuanced control and more taste from the direct and radiant heat provided by ceramic briquettes (up to 25,000 Btu)

Designed with a stainless-steel cover

Grill any time of day with LED-lit signature Wolf red, black, or stainless control knobs

Handles dishes large and small with a two-position rotisserie grill

Resists the elements with its heavy-duty, all-weather stainless-steel construction

Using our easy-open, double-wall hood provides more heat for more efficient grilling

Illuminates your grilling surface with three powerful halogen lights

Eliminates the need for a pilot light with electric hot surface ignitors

ACCESSORIES

30" Access Doors

36" Access Doors

42" Access Doors

54" Access Doors

54" Grill Liner

Access Door - Left Hinge

Access Door - Right Hinge

Black Knobs

Built-In Cover

Combo Door and Drawer

Double Storage Drawer

Double Trash/Recycling Drawer

Griddle Plate

Legacy Outdoor Storage Accessories

Paper Towel Drawer

Short Dry Storage

Single Drawer Storage

Single Trash/Recycling Drawer

Tall Dry Storage - Left Hinge

Tall Dry Storage - Right Hinge

Triple Storage Drawer

Accessories available through an authorized dealer.

For local dealer information, visit subzero-wolf.com/locator.



KNOB OPTIONS



GRILL SPECIFICATIONS

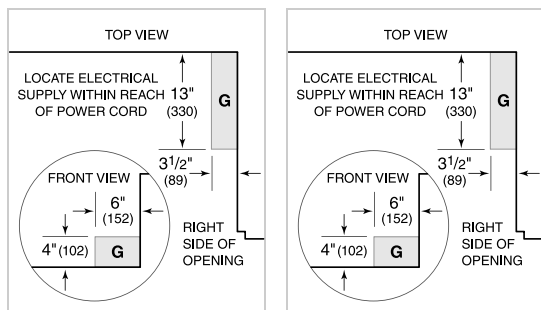
- Halogen lighting
- External reading thermometer
- Rotisserie
- 4 removable stainless steel burner grate; 1 warming rack
- Removable drip tray

PRODUCT SPECIFICATIONS

Model	OG54
Dimensions	54"W x 27"H x 30"D
Electrical Supply	120 VAC, 60 Hz
Electrical Service	15 amp dedicated circuit
Gas Supply	3/4" ID line
Gas Inlet	1/2" NPT female
Power Cord Length	5 Feet
Receptacle	3-prong grounding-type

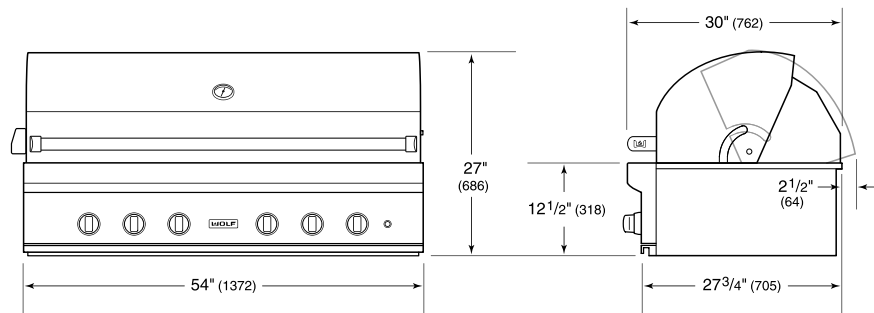
ELECTRICAL

GAS

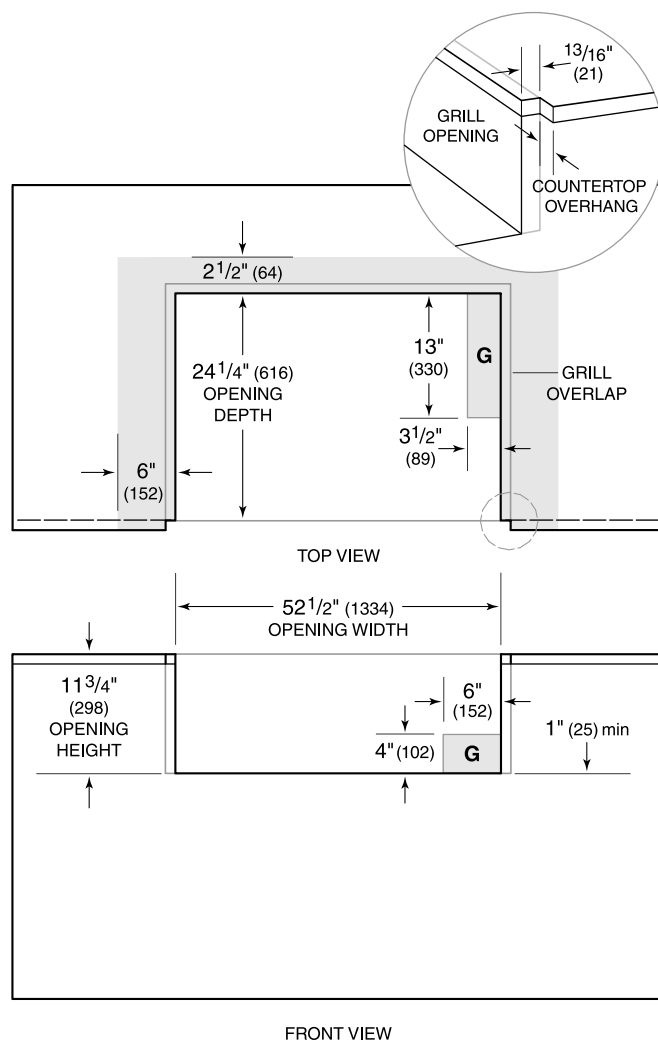


NOTE: Dimensions in parenthesis are in millimeters unless otherwise specified

DIMENSIONS



STANDARD INSTALLATION



NOTE: Shaded area above countertop indicates minimum clearance to combustible surfaces, combustible materials cannot be located within this area.