

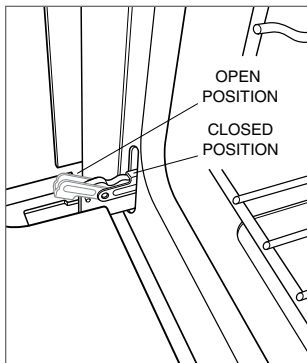
CONTENTS

1	Handle
2	Standoff
2	Washer, flat
2	Screw, #10-24 x 1 3/4"
2	Screw, #10-24 x 2"
2	Washer, lock

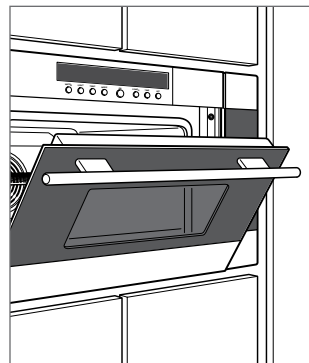
NOTICE: Depending on the model, additional components may be included with this kit but not utilized.

INSTALLATION

- 1 Open the oven door to the fully open position then rotate each hinge latch to the open position. Refer to the illustration below.
- 2 Once both hinge latches are in the open position, rotate the door to the at rest position. Then carefully lift up and out to remove the door. Refer to the illustration below.

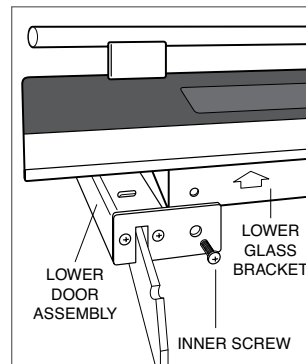


Hinge latch.



Door at rest.

- 3 Once the door has been removed, place the door on a protected work surface handle side up.
- 4 Remove the inner screw on each side of the door assembly. Once the inner screws have been removed, rotate the bottom edge of the glass upward slightly until the lower glass bracket clears the lower door assembly then pull the glass towards your body until the glass clears the upper door assembly. Refer to the illustration below.



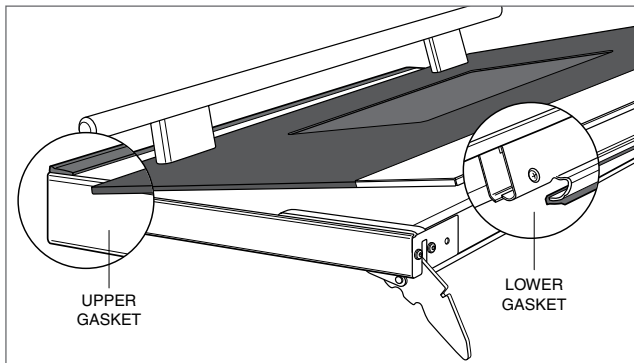
Inner screw.

- 5 Now that the glass has been removed place it handle side down on a protected surface. Remove and discard the existing handle and screws.
- 6 Tubular – Place one lock washer then one flat washer on each of the two 1 3/4" screws provided. Align the new handle with the existing holes, then tighten. Do not over tighten. This may cause the oven glass to break.

Pro – Place one lock washer then one flat washer on each of the two 2" screws provided. Loosely place standoffs on the handle, then align the new handle with existing holes. Verify the standoffs and standoff graphics are properly positioned, then tighten. Do not over tighten. This may cause the oven glass to break.



- 7 Before placing the door glass back on the door assembly, verify the gaskets are properly positioned. Refer to the illustrations below.
- 8 Gently slide the oven glass under the upper door assembly. Once the lower glass flange clears the lower assembly, rotate downward. Verify the gaskets remained in the proper position before moving on to the next step.
- 9 With the oven glass in position, reinstall two inner screws.
- 10 Place the oven door hinges back into the hinge receivers. When hinges are properly position, the door should open and close without resistance.
- 11 Once the hinges are properly positioned, open the door fully and rotate the hinge clips back into the closed position. Open and close the door multiple times to ensure proper placement.



Gasket placement.



CONTENTS

1	Handle
2	Standoff
2	Screw, #10-24 x 1/2"

NOTICE: Depending on the model, additional components may be included with this kit but not utilized.

INSTALLATION

- 1 Use a 2.5mm Allen wrench to loosen the set screws on the inside of each existing handle standoff, then remove the handle.
- 2 Place standoffs on new handle and secure using two #10-24 x 1/2" screws.
- 3 Tubular – Verify the angled portion of the standoff is positioned inward.
Pro – Verify the logos on the outside of the standoffs are positioned properly.
- 4 Place the new handle on the door and secure the two set screws using a 2.5mm Allen wrench. Do not over tighten.