

IDEAL FOR FARM SINKS & COMPACT SPACES

XO SINK PRO NANOGRIND

MODEL XOD34PRO
CONTINUOUS FEED WASTE DISPOSAL

Comes with all these
Features Included:

- Permanent Magnet 2850 RPM Motor
- Generates High Torque / Avoids Jams
- Stainless Steel Turntable & Cast Impellers
- Bio-guard Antimicrobial Protection
- Removable Splash Guard
- Factory Installed Molded Power Cord & Plug
- Precision Balanced
- Sound Insulation Shield
- XO 3 Bolt Mount for Compact Installation



3/4HP

10 YEAR
IN HOME
WARRANTY

XO LOVE IT OR LEAVE IT
100% GUARANTEED

For 90 Days, all our products are backed by our unique Love It or Leave It Guarantee

SEPTIC SAFE

Designed to handle
Common Kitchen
Food Waste Like:

- Melon Rinds
- Small Bones
- Corn Cobs
- Nut Shells
- Fruit Pits
- Tea Leaves
- Coffee Grounds
- Fish Bones
- Egg Shells
- Grapefruit Halves
- Vegetable Scraps



XO

the next level
in luxury appliances

XO SINK PRO NANOGRIND

CONTINUOUS FEED 3/4 HP
FOOD WASTE DISPOSAL
COMPACT DESIGN

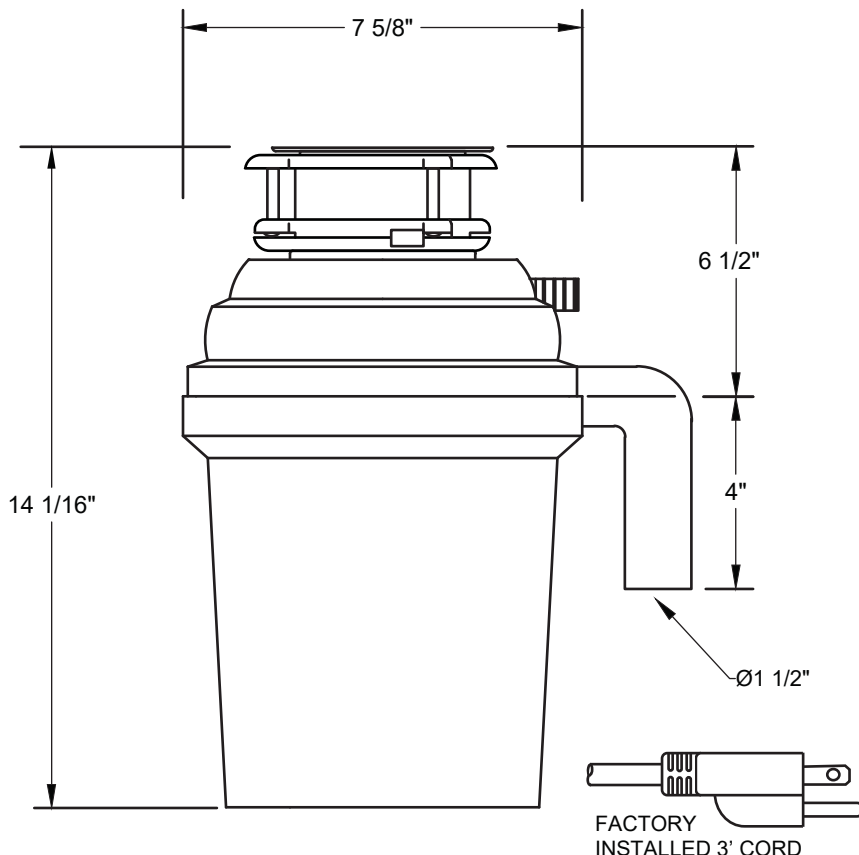
MODEL XOD34PRO

POPULAR OPTIONS:

for continuous feed models /
sold separately



MODEL: XODFSADAPTER
Stainless Steel Drain
For Use With Farm Sinks



MODEL: XODAIRSWITCH
For Remote Operation
comes with
two popular color buttons
Brushed Stainless
Bright Chrome

SPECIFICATIONS

HP	3/4
Motor Type	Permanent Magnet
Feed	Continuous
Volts	120V
Amps	4.6 amps
Frequency	50/60Hz
Motor Speed	2850 RPM
Hopper Capacity	29oz
Balance Level	G0.4
Sink Flange	Stainless Steel
Stopper	Stainless Steel
Drain Elbow	ABS
Bearings	Permanently Lubricated, Sleeve Type
Manual Reset Protector	Protection for Overload and Temp.
Shipping Weight	13 lbs
Pallet Quantity	64pcs

XO Appliance - 24 Eisenhower Parkway - Roseland, NJ 07068
(800)966-8300 www.XOAppliance.com