

# ZEPHYR

WWW.ZEPHYRONLINE.COM

## Breeze I

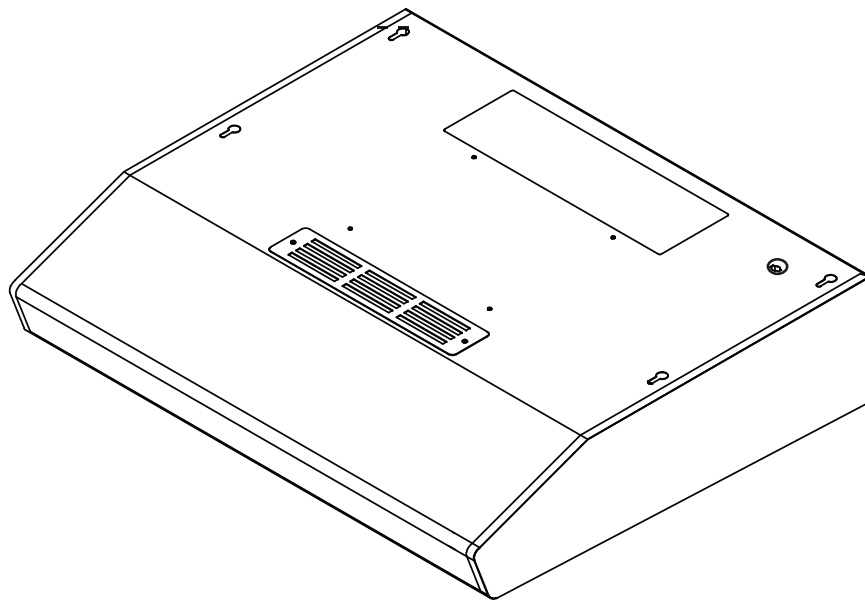
AK1124Bx, AK1100Bx, AK1136Bx

## Breeze II

AK1200Bx, AK1236Bx

EN Use, Care, and Installation Guide

FR Guide d'utilisation, d'entretien et d'installation





---

	Page
<b>Safety Information .....</b>	<b>4-9</b>
Types of Safety Warnings.....	4
General Safety .....	5-8
Operation .....	8
Electrical Requirements .....	8-9
<b>List of Materials.....</b>	<b>10</b>
<b>Installation Instructions.....</b>	<b>11-20</b>
Ducting Calculation Sheet.....	11
Mounting Height, Clearance, & Ducting .....	12-13
Ducting Options .....	14
Hood Specifications.....	15
Electrical Supply.....	16
Cable Lock .....	16
Installation Preparation .....	17
Air Recirculating Mode Conversion .....	18-19
Mounting the Hood.....	20
<b>Features &amp; Controls.....</b>	<b>21</b>
<b>Maintenance .....</b>	<b>22-24</b>
Hood & Filter Cleaning.....	22-23
LumiLight LED & LED Light Strip .....	24
<b>Wiring Diagram .....</b>	<b>25</b>
<b>Troubleshooting.....</b>	<b>26</b>
<b>List of Parts &amp; Accessories .....</b>	<b>27</b>
<b>Notes.....</b>	<b>28</b>
<b>Limited Warranty .....</b>	<b>29</b>
<b>Product Registration.....</b>	<b>30</b>

# Safety Information

**Your safety and the safety of others are very important.**

We have provided many important safety messages in this manual for your appliance. Always read and obey all safety messages.




This is the Safety Alert Symbol. This symbol alerts you to potential hazards that can cause severe bodily injury or death. All safety messages will follow the Safety Alert Symbol and either the words **“DANGER”** **“WARNING”** or **“CAUTION”**



DANGER

Danger means that failure to heed this safety statement may result in severe injury or death.



WARNING

Warning means that failure to heed this safety statement may result in extensive product damage, serious personal injury, or death.



CAUTION

Caution means that failure to heed this safety statement may result in minor or moderate personal injury, property or equipment damage.

---

**READ AND SAVE THESE INSTRUCTIONS**

## General Safety



WARNING - TO REDUCE THE RISK OF FIRE, ELECTRIC SHOCK, OR INJURY TO PERSONS, OBSERVE THE FOLLOWING:

- a) Use this unit only in the manner intended by the manufacturer. If you have questions, contact the manufacturer.
- b) Before servicing or cleaning unit, switch power off at service panel and lock the service disconnecting means to prevent power from being switched on accidentally. When the service disconnecting means cannot be locked, securely fasten a prominent warning device, such as a tag, to the service panel.



# Safety Information

## READ AND SAVE THESE INSTRUCTIONS



WARNING - TO REDUCE THE RISK OF A RANGE TOP GREASE FIRE:

- a) Never leave surface units unattended at high settings. Boilovers cause smoking and greasy spillovers that may ignite. Heat oils slowly on low or medium settings.
- b) Always turn hood ON when cooking at high heat or when flambeing food. (i.e. Crepes Suzette, Cherries Jubilee, Peppercorn Beef Flambe’).
- c) Clean ventilating fans frequently. Grease should not be allowed to accumulate on fan or filter.
- d) Use proper pan size. Always use cookware appropriate for the size of the surface element.



WARNING - TO REDUCE THE RISK OF INJURY TO PERSONS IN THE EVENT OF A RANGE TOP GREASE FIRE, OBSERVE THE FOLLOWING<sup>a</sup>:

- a) SMOTHER FLAMES with a close-fitting lid, cookie sheet, or metal tray, then turn off the burner. BE CAREFUL TO PREVENT BURNS. If the flames do not go out immediately, EVACUATE AND CALL THE FIRE DEPARTMENT.
- b) NEVER PICK UP A FLAMING PAN – You may be burned.
- c) DO NOT USE WATER, including wet dishcloths or towels – a violent steam explosion will result.
- d) Use an extinguisher ONLY if:
  - 1) You know you have a Class ABC extinguisher, and you already know how to operate it.
  - 2) The fire is small and contained in the area where it started.
  - 3) The fire department is being called.
  - 4) You can fight the fire with your back to an exit

<sup>a</sup>Based on “Kitchen Firesafety Tips” published by NFPA.

## READ AND SAVE THESE INSTRUCTIONS



WARNING - TO REDUCE THE RISK OF FIRE, ELECTRIC SHOCK, OR INJURY TO PERSONS, OBSERVE THE FOLLOWING:

- a) Installation work and electrical wiring must be done by qualified person(s) in accordance with all applicable codes and standards, including fire-rated construction.
- b) Sufficient air is needed for proper combustion and exhausting of gases through the flue (chimney) of fuel burning equipment to prevent back drafting. Follow the heating equipment manufacturer's guideline and safety standards such as those published by the National Fire Protection Association (NFPA), and the American Society for Heating, Refrigeration and Air Conditioning Engineers (ASHRAE), and the local code authorities.
- c) When cutting or drilling into wall or ceiling, do not damage electrical wiring and other hidden utilities.
- d) Ducted fans must always be vented to the outdoors.
- e) If this unit is to be installed over a tub or shower, it must be marked as appropriate for the application and be connected to a GFCI (Ground Fault Circuit Interrupter) - protected branch circuit.



# Safety Information

## READ AND SAVE THESE INSTRUCTIONS



- ▶ To reduce risk of fire and to properly exhaust air outside, do not vent exhaust air into spaces within walls, ceilings, attics, crawl spaces, or garages.
- ▶ Not for use over an outdoor grill.
- ▶ For indoor use only.
- ▶ Do not use over cooking equipment greater than 60,000 BTU/hr.
- ▶ This hood is not intended to be used as a shelf.

## Operation

- ▶ Always leave safety grilles and filters in place. Without these components, operating blowers could catch onto hair, fingers and loose clothing.
- ▶ The manufacturer declines all responsibility in the event of failure to observe the instructions given here for installation, maintenance and suitable use of the product. The manufacturer further declines all responsibility for injury due to negligence and the warranty of the unit automatically expires due to improper maintenance.

**NOTE:** Please check [www.zephyronline.com](http://www.zephyronline.com) for revisions before doing any custom work.

## Electrical Requirements

### Important:

Observe all governing codes and ordinances.

It is the customer's responsibility to be aware of these below:

- ▶ To contact a qualified electrical installer.
- ▶ To assure that the electrical installation is adequate and in conformance with National Electrical Code, ANSI/NFPA 70 latest edition\* or CSA standards C22.1-94, Canadian Electrical Code, Part 1 and C22.2 No.0-M91 - latest edition\*\* and all local codes and ordinances.



## READ AND SAVE THESE INSTRUCTIONS

- ▶ If codes permit and a separate ground wire is used, it is recommended that a qualified electrician determine that the ground path is adequate.
- ▶ Do not ground to a gas pipe.
- ▶ Check with a qualified electrician if you are not sure the range hood is properly grounded.
- ▶ Do not have a fuse in the neutral or ground circuit.
- ▶ This appliance requires a 120V 60Hz electrical supply and connected to an individual properly grounded branch circuit protected by a 15 or 20 ampere circuit breaker or time delay fuse. Wiring must be 2 wire with ground. Please also refer to Electrical Diagram on product.
- ▶ A cable locking connector (not supplied) might also be required by local codes. Check with local requirements, purchase and install appropriate connector if necessary.

\* National Fire Protection Association Batterymarch Park, Quincy, Massachusetts 02269

\*\* CSA International 8501 East Pleasant Valley Road, Cleveland, Ohio 44131-5575



## WARNING

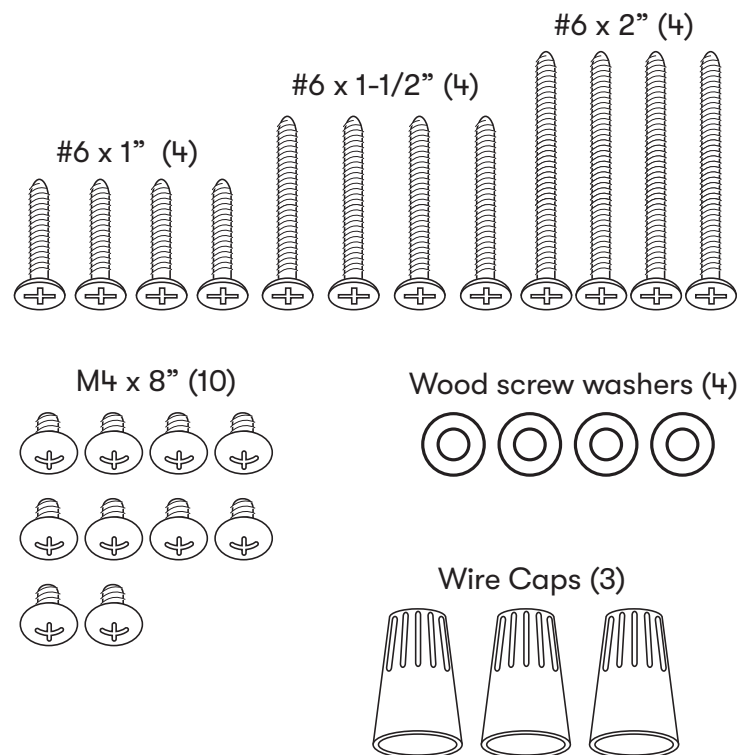


**Prop. 65 Warning for California Residents:** This product may contain chemicals known to the State of California to cause cancer, birth defects, or other reproductive harm.

# List of Materials

## Parts Supplied

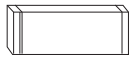

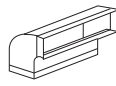
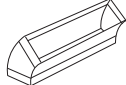
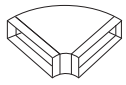
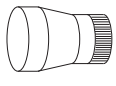
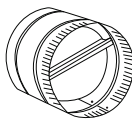
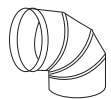

Quantity	Part
1	Hood
2	Aluminum mesh filters
2	LumiLight LED, 6W (Breeze I only)
1	LED Light Strip, 5W (Breeze II only)
1	3-1/4"x10" rectangular starting collar with damper (located inside hood body)
1	Hardware package



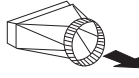
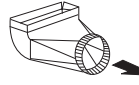
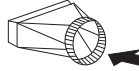
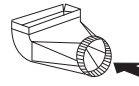
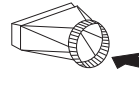
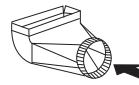
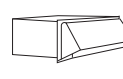
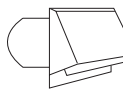

## Parts Not Supplied

Ducting, conduit and all installation tools
Cable locking connector (if required by local codes)
Duct cover extension kit (OAK11-21001)

## Ducting Calculation Sheet

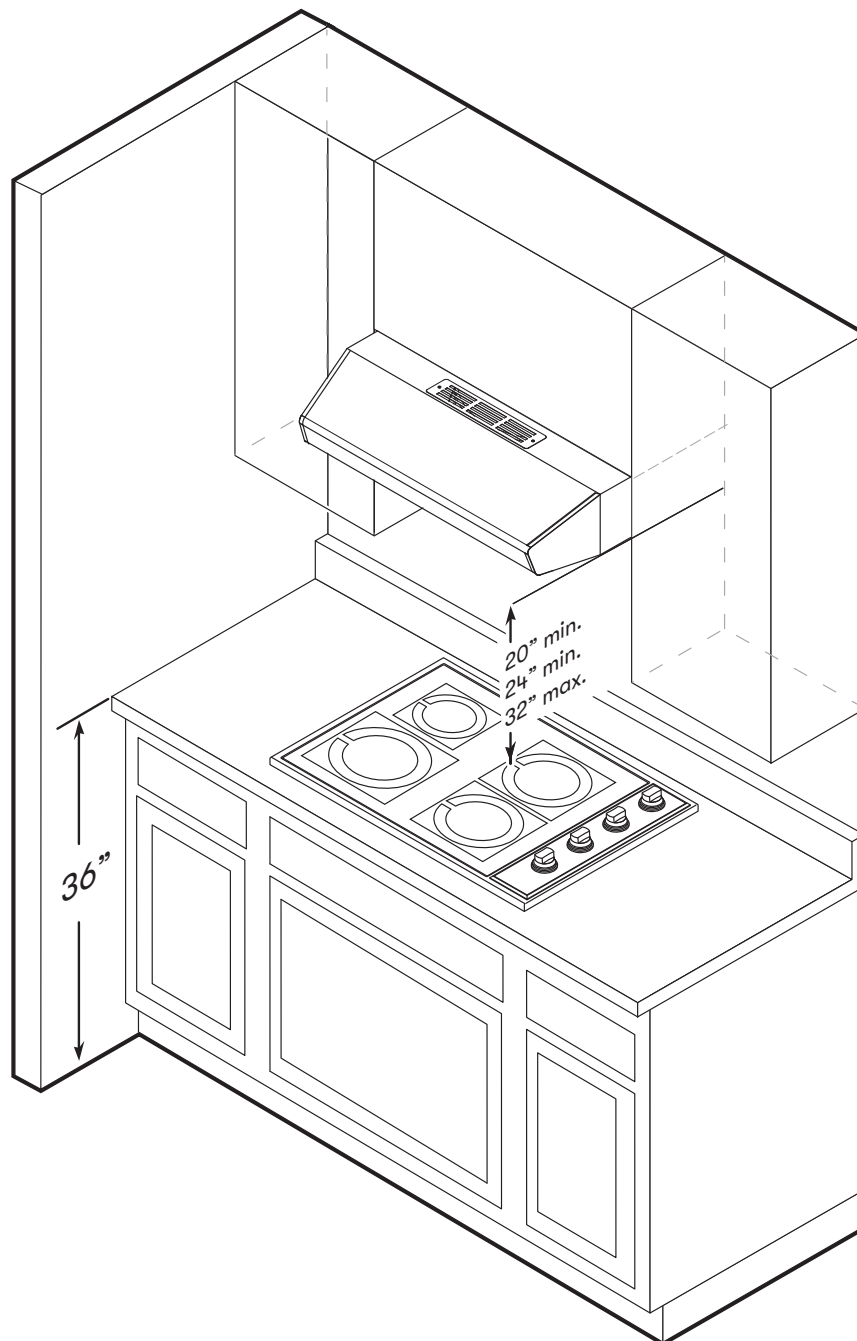
Duct pieces		Equivalent number length x used =	Total
	3-1/4" x 10" Rect., straight	1 Ft. x ( ) =	Ft.
	6", 7", 8", 10" Round, straight	1 Ft. x ( ) =	Ft.
	3-1/4" x 10" Rect. 90° elbow	15 Ft. x ( ) =	Ft.
	3-1/4" x 10" Rect. 45° elbow	9 Ft. x ( ) =	Ft.
	3-1/4" x 10" Rect. 90° flatelbow	24 Ft. x ( ) =	Ft.
	7" to 6" or 8" to 7" Round tapered reducer	25 Ft. x ( ) =	Ft.
	6", 7", 8" Round in-line damper	15 Ft. x ( ) =	Ft.
	6", 7", 8", 10" Round, 90° elbow	15 Ft. x ( ) =	Ft.
	6", 7", 8", 10" Round, 45° elbow	9 Ft. x ( ) =	Ft.
<b>Subtotal column 1 =</b>			<b>Ft.</b>

**Maximum Duct Length:** For satisfactory air movement, the total duct length should not exceed 150 equivalent feet.

Duct pieces		Equivalent number length x used =	Total
	3-1/4" x 10" Rect. to 6" round transition	5 Ft. x ( ) =	Ft.
	3-1/4" x 10" Rect. to 6" round transition 90° elbow	20 Ft. x ( ) =	Ft.
	6" round to 3-1/4" x 10" rect. transition	1 Ft. x ( ) =	Ft.
	6" round to 3-1/4" x 10" rect. transition 90° elbow	16 Ft. x ( ) =	Ft.
	7" round to 3 1/4" x 10" rect. transition	8 Ft. x ( ) =	Ft.
	7" round to 3-1/4" x 10" rect. transition 90° elbow	23 Ft. x ( ) =	Ft.
	3-1/4" x 10" Rect. wall cap with damper	30 Ft. x ( ) =	Ft.
	6", 7", 8", 10" Round, wall cap with damper	30 Ft. x ( ) =	Ft.
	6", 7", 8", 10" Round roof cap	30 Ft. x ( ) =	Ft.
<b>Subtotal column 2 =</b>			<b>Ft.</b>
<b>Subtotal column 1 =</b>			<b>Ft.</b>
<b>Total ductwork =</b>			<b>Ft.</b>

# Installation Instructions

## Mounting Height, Clearance, & Ducting



**NOTE:** The Breeze I minimum mount height for electric cook tops is 20", but is 24" for gas cook tops. The Breeze II minimum mount height for both electric and gas cook tops is 24". The maximum mount height for both Breeze I and Breeze II is 32" for both electric and gas cook tops.

## Mounting Height, Clearance, & Ducting

A minimum 3-1/4"x10" rectangular duct for either vertical ducting or horizontal ducting must be used to maintain maximum air flow efficiency.

Always use rigid type metal ducts only. Flexible ducts could restrict air flow by up to 50%.

Use calculation worksheet to compute total available duct run when using elbows, transitions, and caps.

ALWAYS, when possible, reduce the number of transitions and turns. If a long duct run is required, increase duct size.

If turns or transitions are required: Install as far away from duct opening and as far apart between the two transitions as possible.

**Breeze I:** Minimum mount height between range top to hood bottom should be no less than 20" for electric cook tops and 24" for gas cook tops. Maximum mount height should be no higher than 32".

**Breeze II:** Minimum mount height between range top to hood bottom should be no less than 24" Maximum mount height should be no higher than 32".

It is important to install the hood at the proper mounting height. Hoods mounted too low could result in heat damage and fire hazard; while hoods mounted too high will be hard to reach and will lose performance and efficiency.


If available, also refer to range manufacturer's height clearance requirements and recommended hood mounting height above range. Always check your local codes for any differences.

### For shipment and installation damages:


- ▶ Please fully inspect unit for damage before installation.
- ▶ If the unit is damaged in shipment, return the unit to the store in which it was bought for repair or replacement.
- ▶ If the unit is damaged by the customer, repair or replacement is the responsibility of the customer.
- ▶ If the unit is damaged by the installer (if other than the customer), repair or replacement must be made by arrangement between customer and installer.

# Installation Instructions

## Ducting Options

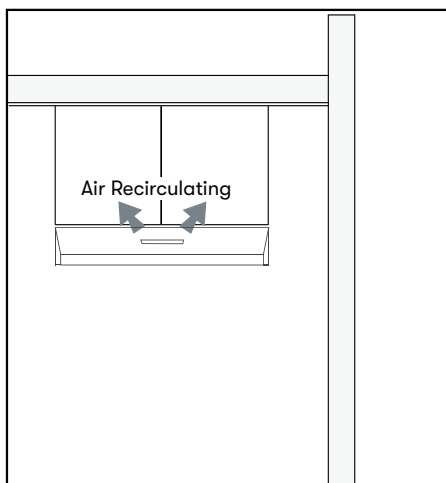
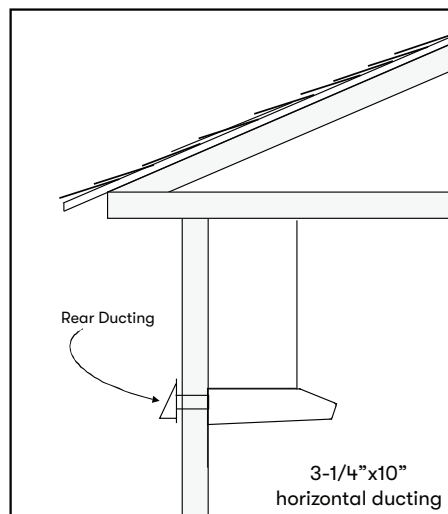
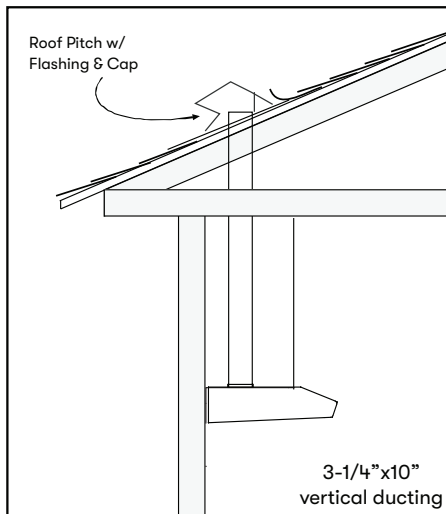


# WARNING



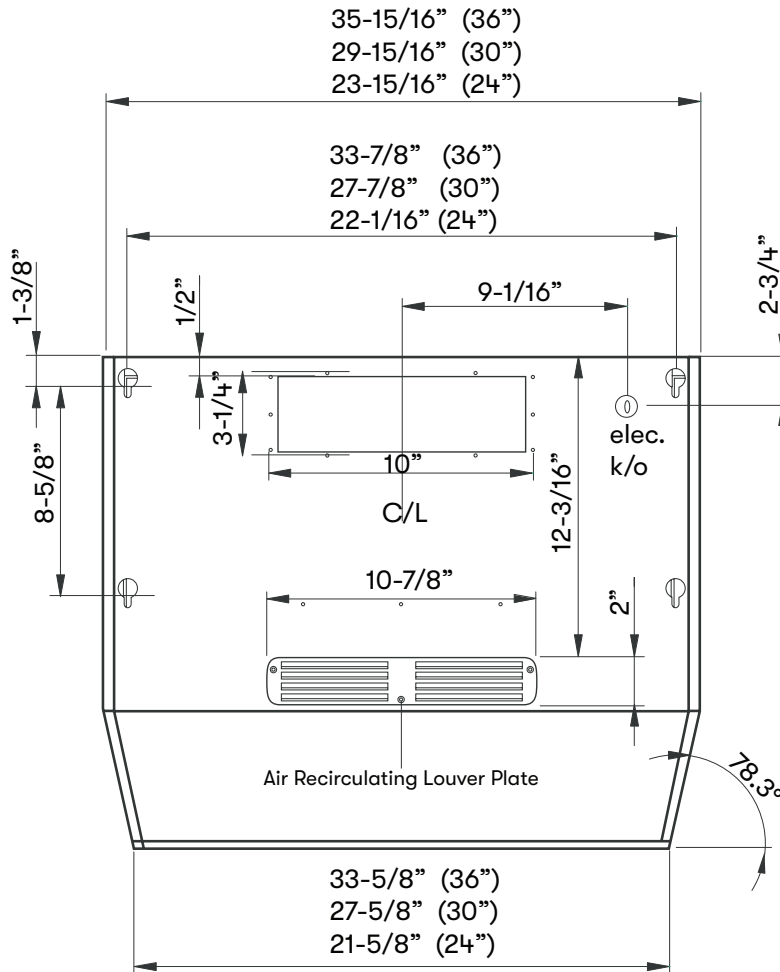
**Fire Hazard:** NEVER exhaust air or terminate ductwork into spaces between walls, crawl spaces, ceilings, attics, or garages. All exhaust must be ducted to the outside, unless using the recirculating option.

- ▶ Use single wall rigid metal ductwork only.
- ▶ Fasten all connections with sheet metal screws and tape all joints w/ certified Silver Tape or Duct Tape.

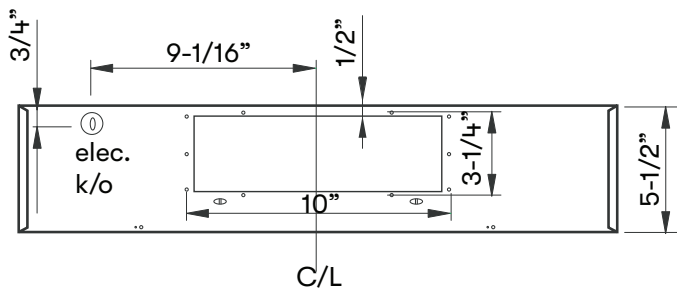


## Hood Specifications

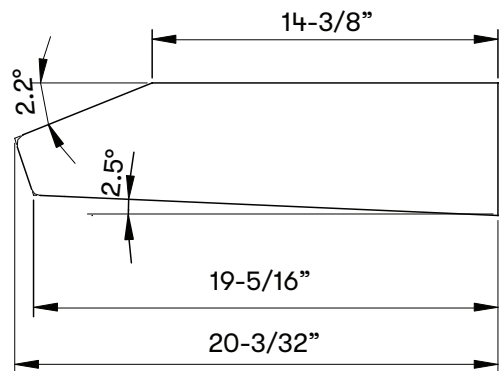
### TOP



### BACK

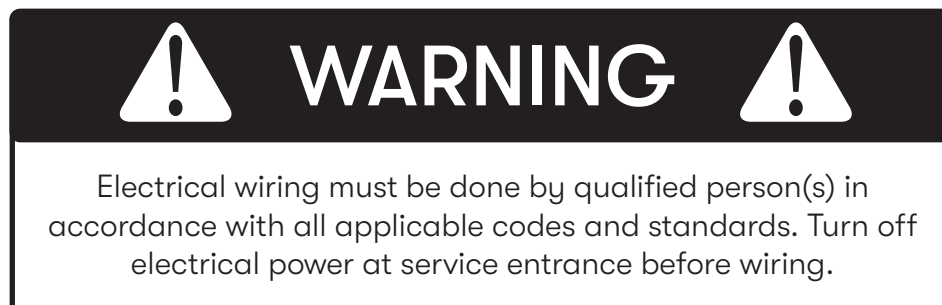


### SIDE



# Installation Instructions

## Electrical Supply



For personal safety, remove house fuse or open circuit breaker before beginning installation. Do not use extension cord or adapter plug with this appliance.

**Follow national electrical codes or prevailing local codes and ordinances.**

This appliance requires a 120V 60Hz electrical supply, and connected to an individual, properly grounded branch circuit, protected by a 15 or 20 ampere circuit breaker or time delay fuse. Wiring must be 2 wire w/ ground. Please also refer to the Electrical Diagram labeled on product.

## Cable Lock

A cable locking connector (not supplied) might be required by local codes. Check with local requirements and codes, purchase and install appropriate connector if necessary. (FIG. A)

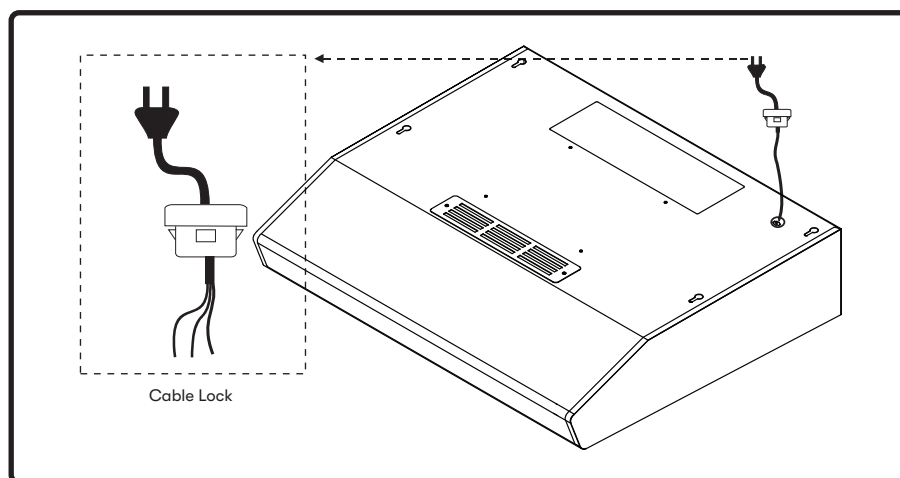
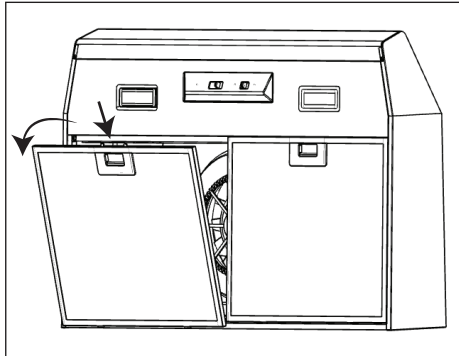


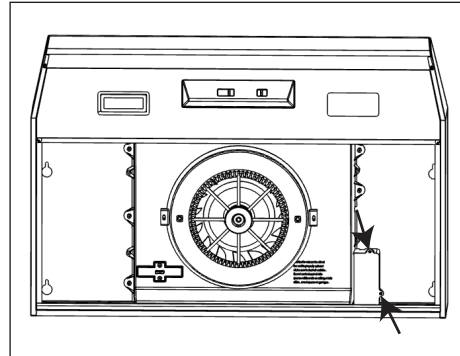
FIG. A



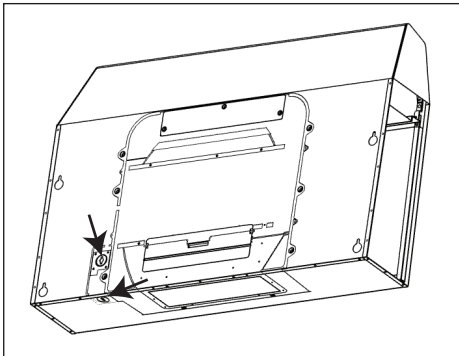
## Installation Preparation



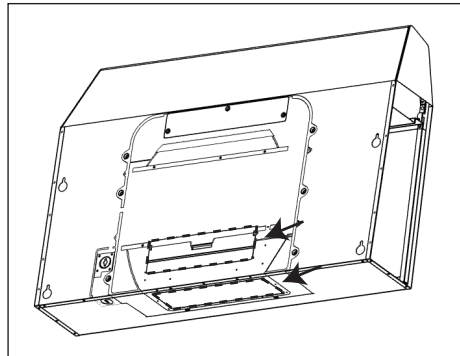
1. Remove filters



2. Remove cover from junction box by (2) screws to gain access to electrical wiring.

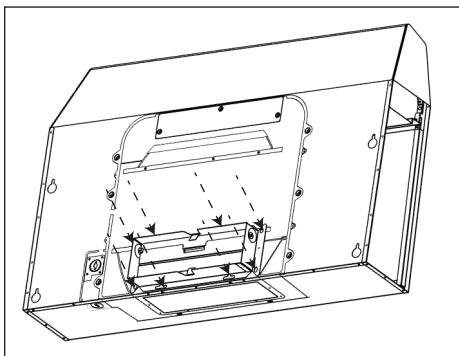


3. If using a cable lock, pry open the desired electrical knockout either on top or back of hood. Feed the wires through the cable lock. Some local codes require the use of a cable lock, check your local codes.



4. If using hood in air recirculating mode skip steps 4 and 5.

Pry open desired 3-1/4" x 10" ducting knock-out either on top or back of hood.



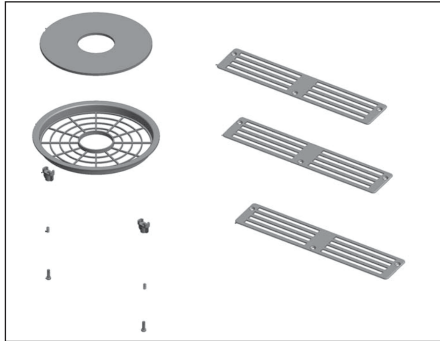
5. Secure 3-1/4" x 10" starting collar with damper to the duct opening using (10) M4x8" screws.

Note: starting collar is secured inside the hood to the left of the motor.

# Installation Instructions

## Air Recirculating Mode Conversion

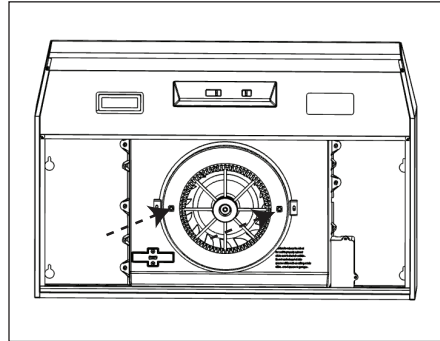
**NOTE:** Skip the recirculating preparation pages if you are ducting the air out of your home.



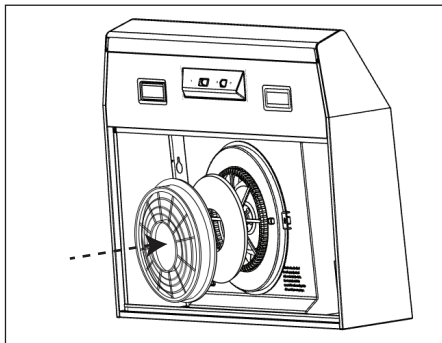
An air recirculating kit (optional) must be purchased before using hood in recirculating mode.

Recirculating kit - OAK11-21001

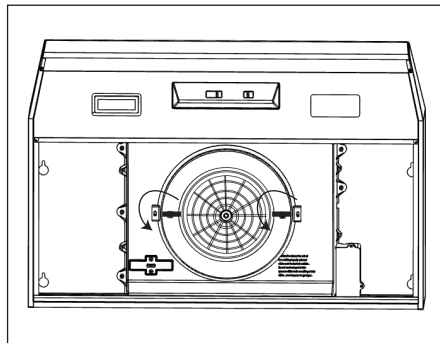
Replacement filter - OAK11-20001



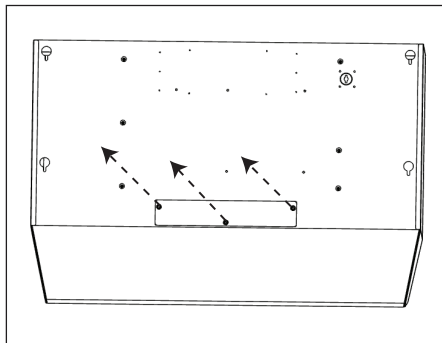
1. Secure each of the (2) spring clips to the safety grille body (A). Do this by inserting the screw through the spring and into the clip. Secure each clip to the safety grille body by using a philips head screwdriver.



2. Insert charcoal filter into charcoal filter holder and place it over the safety grille body



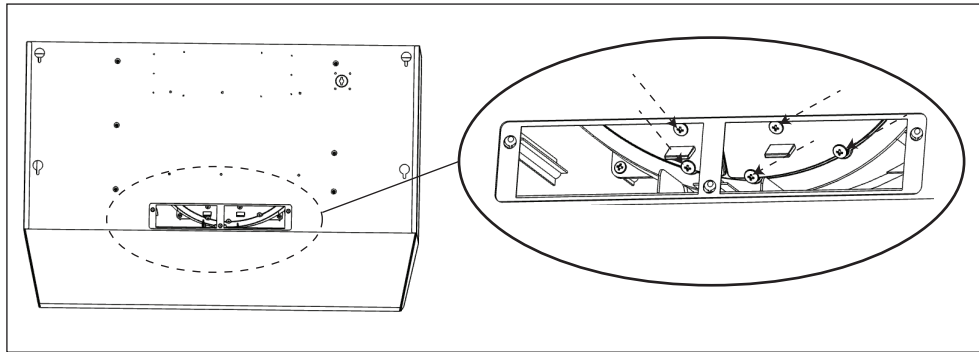
3. Secure charcoal filter holder to safety grill body by lifting up on spring clips and twisting. The clip should cover the lip of the charcoal filter holder securely.



4. Remove each screw from recirculating top plate. Plate is located on top of hood towards the front.

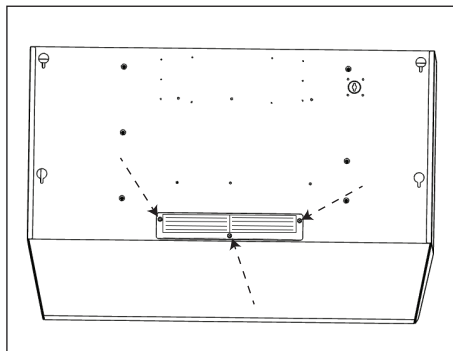
## Air Recirculating Mode Conversion

NOTE: Skip this page if you are ducting the air out of your home.



5. Remove each of the 5 screws holding the (2) interior recirculating panels.

6. Remove (2) interior recirculating panels.



7. Place louvered recirculating plate over top opening and secure using the screws previously removed.

# Installation Instructions

## Mounting the Hood

Hood is designed for installation under a kitchen cabinet (FIG. B)

1. Select preferred duct location (vertical or horizontal) if ducting out of kitchen. Refer to page 14 for details.
2. Begin installation by removing the filters (if installed) and side spacer panels (36" models only). (FIG. C)
3. Reinforce cabinet with 1"x2" wood strips if additional strengthening is required or if cabinets are framed.
4. Temporarily position the range hood in the desired mounting location. Measure and mark the mounting holes, duct and electrical locations with a pencil.
5. Drill/cut out the required openings for duct and electrical access by following the dimensions on page 15; make sure the duct opening is large enough to apply duct tape.
6. Fasten hood onto cabinet with (4) #6 wood screws with washers provided.
7. Install electrical.
8. Install duct work and seal with duct tape.
9. Reinstall filters and side spacer panels (if applicable).
10. Power up hood and check for leaks around duct tape.
11. If recirculating the hood refer to page 18 and 19 for details.

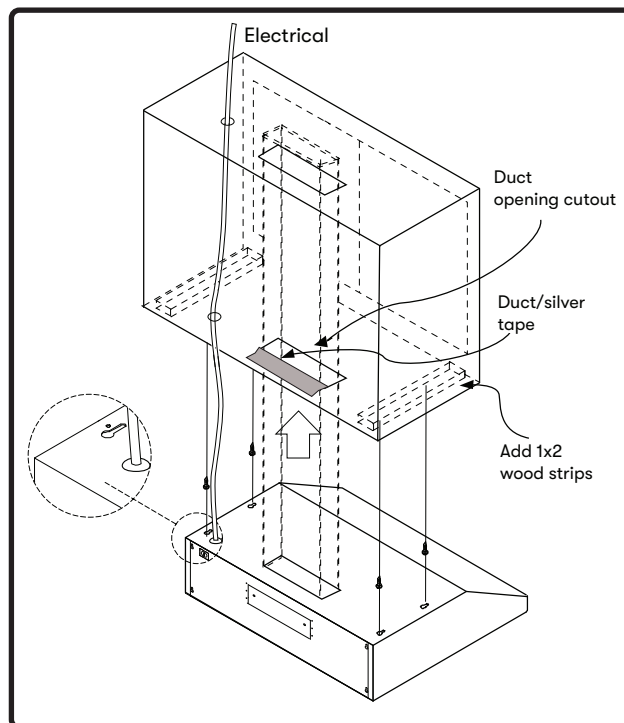


FIG. B

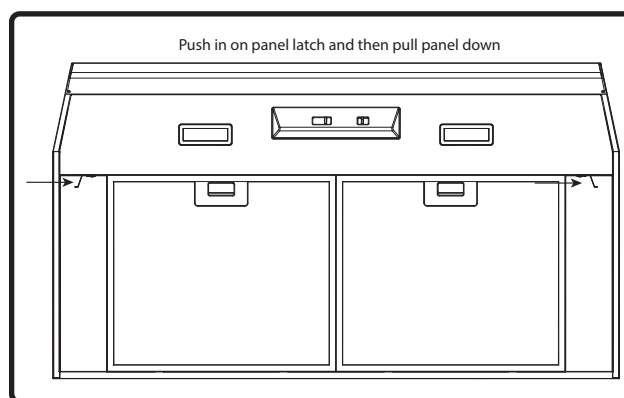
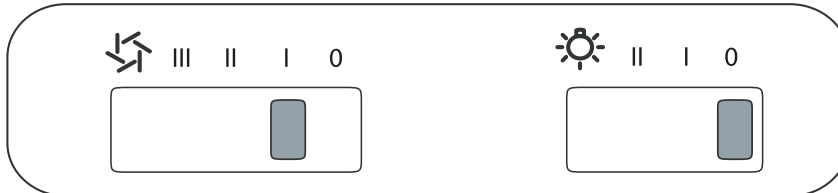


FIG. C

## Breeze I, AK11xxBx

1 Blower On/Off/Speed Selection

2 Lights Off/Dim/Bright



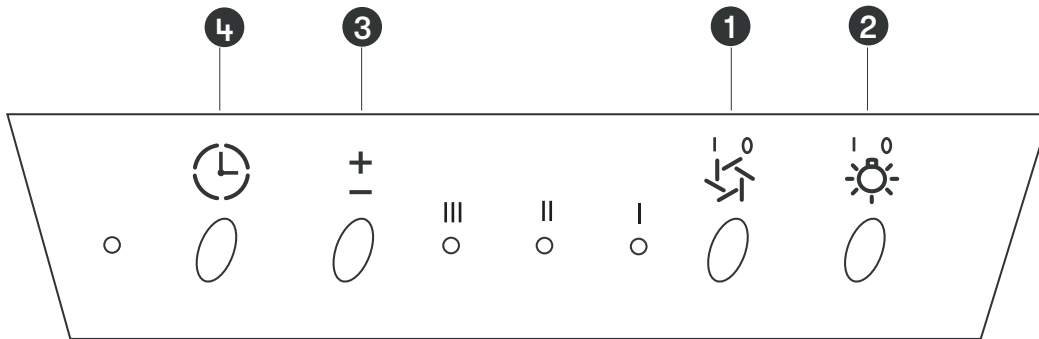
1 Blower On/Off/Speed Selection

This switch turns the blower on and off and controls the speed selection. 0 is off, I is low speed, II is medium speed and III is high speed.

2 Lights Off/Dim/Bright

0 is off, I is dim, II is bright.

## Breeze II, AK12xxBx



1 On/Off

This button turns the motors on and off. It also shuts off power to the whole hood. If the lights are on and this button is pushed, they will also turn off.

2 Lamp

This button turns the lights on, off and also dims them. Press once to turn them on bright, again for dim and one more time to shut them off.

3 Speed

This button will change the speed setting of the motors. By pushing it you will change the speeds from high to medium to low.

4 Delay Off

This button will put the hood into delay off mode. When pushed, the hood will switch to the lowest speed and the entire hood will shut down all functions after 5 minutes.

# Maintenance

---

## Hood & Filter Cleaning

### Surface Maintenance

- ▶ Do not use corrosive detergents, abrasive detergents or oven cleaners.
- ▶ Do not use any product containing chlorine bleach or any product containing chloride.
- ▶ Do not use steel wool or abrasive scrubbing pads which will scratch and damage surface.

### Cleaning Stainless Steel

Clean periodically with warm soapy water and clean cotton cloth or micro fiber cloth. Always rub in the direction of the stainless steel grain. To remove heavier grease build up use a liquid degreaser detergent.

After cleaning use a non-abrasive stainless steel polish/cleaners, to polish and buff out the stainless luster and grain. Always scrub lightly, with clean cotton cloth or micro fiber cloth and buff in the direction of the stainless steel grain.

### Cleaning Black Stainless Steel

Clean periodically with warm soapy water and clean cotton cloth or micro fiber cloth. To remove heavier grease build up use a liquid degreaser detergent.

Due to a built-in layer of protective anti-smudge coating, do not use stainless steel polish/cleaners to buff out black stainless steel.

### Aluminum Mesh Filters

The aluminum mesh filters installed by the factory are intended to filter out residue and grease from cooking. They need not be replaced on a regular basis but are required to be kept clean.

Remove and clean by hand or in dishwasher using a non-phosphate detergent. Discoloration of the filter may occur if using phosphate detergents, or as a result of local water conditions - but this will not affect filter performance. This discoloration is not covered by the warranty. Spray degreasing detergent and leave to soak if heavily soiled.

Dry filters and re-install before using hood.

## Removing Aluminum Mesh Filters (FIG. D):

1. Push in on filter handles.
2. Pivot front of filter downward.
3. Remove filter by pulling away from hood.

## Replacing Aluminum Mesh Filters

Hood Model	Part Number	Qty. to Order
AK1124Bx	50200013	2
AK1100Bx / AK1136Bx	50200012	2
AK1200Bx / AK1236Bx	50200012	2

To order parts, visit us online at <http://store.zephyronline.com> or call us at 1.888.880.8368.

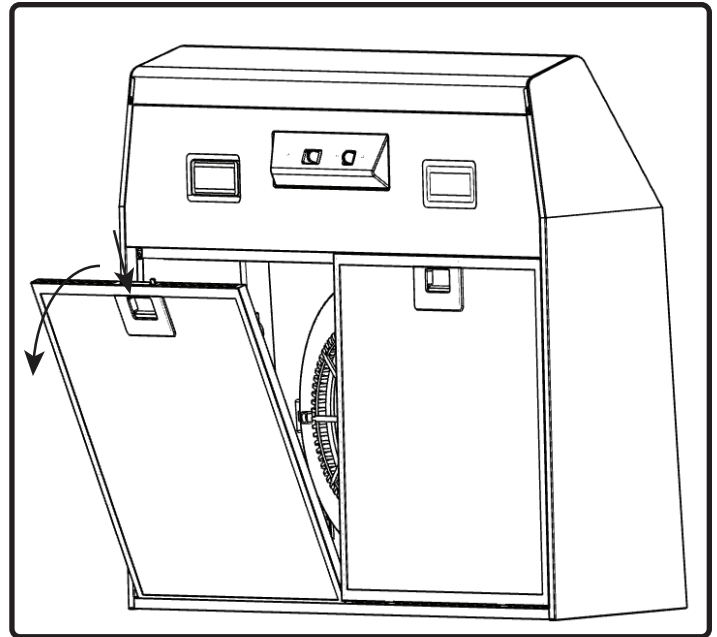


FIG. D

# Maintenance

## LumiLight LED & LED Light Strip

In the unlikely event that your LumiLight LED or LED light strip fails, please contact Zephyr to order replacement parts.

See the list of parts and accessories page for part numbers and contact information.

### LED Removal (FIG. E & F):

1. Remove aluminum mesh filters.
2. Remove light panel by two screws.
3. Disconnect LED light quick connector.
4. Push in the two side clips on the ends of the LED light.
5. Push LED light through the light panel opening.

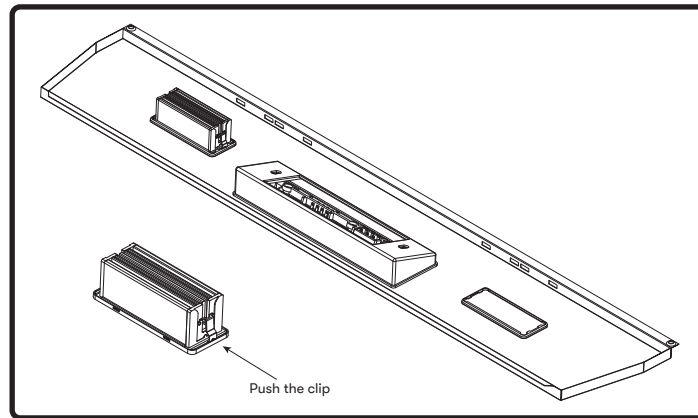


FIG. E

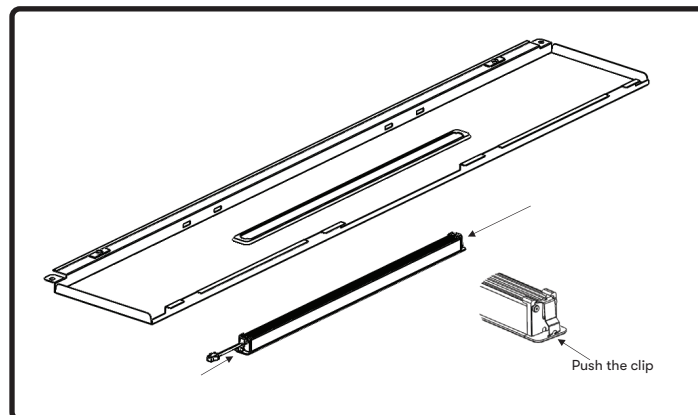


FIG. F



Model: AK1100Bx, AK1136Bx

Voltage: 120V 60Hz

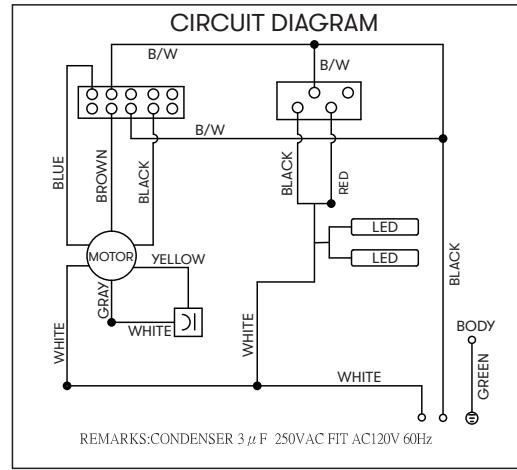
Power consumption

Total: 87W@08.A

Lamp: Max. 6Wx2

Fan: 75W

**THERMALLY PROTECTED**



Model: AK1124Bx

Voltage: 120V 60Hz

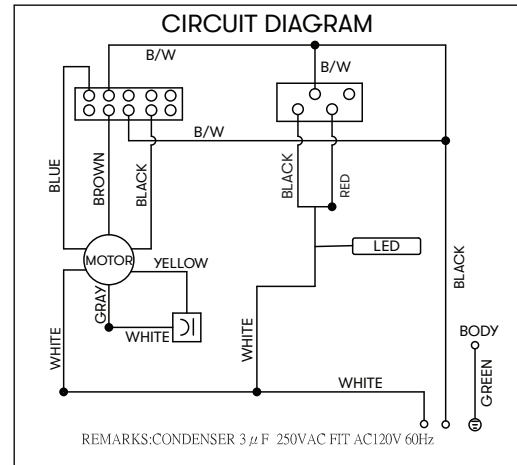
Power consumption

Total: 81W@08.A

Lamp: Max. 6W

Fan: 75W

**THERMALLY PROTECTED**



Model: AK1200Bx, AK1236Bx

Voltage: 120V 60Hz

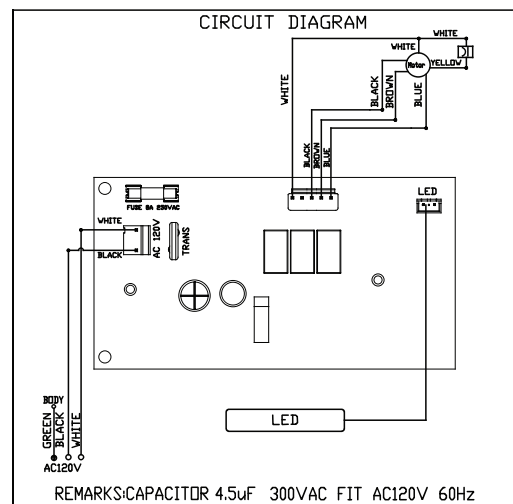
Power consumption

Total: 70W @0.8A

Lamp: 5W

Fan: 65W

**THERMALLY PROTECTED**



# Troubleshooting

Possible Problem	Possible Cause	Solutions
After installation, the unit doesn't work.	The power source is not turned ON.	Make sure the circuit breaker and the unit's power is ON.
	The power line and the cable locking connector is not connecting properly.	Check the power connection with the unit is connected properly.
	The switch board or control board wirings are disconnected.	Make sure the wirings at the switch board and control board are connected properly.
	The switch board or control board is defective.	Change the switch board or control board.
Light works, but blower is not turning.	The blower cable is disconnected.	Connect the blower cable.
	Debris or obstruction in motor.	Remove the debris or obstruction.
	Motor defective or possibly seized.	Change the blower.
	Damaged capacitor.	Change the capacitor.
	The switch board or control board is defective.	Change defective part.
The unit is vibrating.	The blower is not secured in place.	Tighten the blower in place.
	Damaged blower wheel.	Replace the blower.
	The hood is not secured in place.	Check the installation of the hood.
The blower is working, but the lights are not.	The LED light connector is disconnected.	Connect the LED light connector.
	Defective LED light.	Change the LED light.
	The switch board or control board is defective.	Change the switch board or control board.
The hood is not venting out properly.	Using the wrong size of ducting.	Change the ducting to at least 3-1/4"x10" or higher.
	Using the wrong type of ducting. Flexible ducting can reduce air flow by up to 50%.	Change the ducting to solid rigid metal ducting.
	The hood might be hanging too high from the cook top.	Adjust the distance between the cook top and the bottom of the hood within 24" and 32" range.
	The wind from the opened windows or opened doors in the surrounding area are affecting the ventilation of the hood.	Close all the windows and doors to eliminate the outside wind flow.
	Blockage in the duct opening or ductwork.	Remove all the blocking from the duct work or duct opening.
The unit turns on by itself.	A spot light is shining directly onto the switch controls.	The switch controls are light sensitive. A direct light source onto the switch controls may disrupt switch functions.

---

Description	Part Number
<b>Replacement Parts</b>	
LumiLight LED, 6W	ZOB0049
LED Light Strip, 5W (each) (AK12xxBx Only)	ZOB0043
Metal Filter, 24" hoods (each)	50200013
Metal Filter, 30" and 36" hoods (each)	50200012
<b>Optional Accessories</b>	
Recirculating Kit	OAK11-21001
Replacement Charcoal Filters (2pk)	OAK11-20001

To order parts, visit us online at <http://store.zephyronline.com> or call us at 1.888.880.8368.

# Notes

---

CORE

BREEZE I &  
BREEZE II

UNDER-CABINET

---

**TO OBTAIN SERVICE UNDER WARRANTY OR FOR ANY SERVICE RELATED QUESTIONS, please call:  
1-888-880-8368**

Zephyr Ventilation, LLC (referred to herein as “we” or “us”) warrants to the original consumer purchaser (referred to herein as “you” or “your”) of Zephyr products (the “Products”) that such Products will be free from defects in materials or workmanship as follows:

**Three Year Limited Warranty for Parts:** For three years from the date of your original purchase of the Products, we will provide, free of charge, Products or parts (including LED light bulbs, if applicable) to replace those that failed due to manufacturing defects subject to the exclusions and limitations below. We may choose, in our sole discretion, to repair or replace parts before we elect to replace the Products.

**One Year Limited Warranty for Labor:** For one year from the date of your original purchase of the Products, we will provide, free of charge, the labor cost associated with repairing the Products or parts to replace those that failed due to manufacturing defects subject to the exclusions and limitations below. After the first year from the date of your original purchase, you are responsible for all labor costs associated with this warranty.

**Warranty Exclusions:** This warranty covers only repair or replacement, at our option, of defective Products or parts and does not cover any other costs related to the Products including but not limited to: (a) normal maintenance and service required for the Products and consumable parts such as fluorescent, incandescent or halogen light bulbs, mesh and charcoal filters and fuses; (b) any Products or parts which have been subject to freight damage, misuse, negligence, accident, faulty installation or installation contrary to recommended installation instructions, improper maintenance or repair (other than by us); (c) commercial or government use of the Products or use otherwise inconsistent with its intended purpose; (d) natural wear of the finish of the Products or wear caused by improper maintenance, use of corrosive and abrasive cleaning products, pads, and oven cleaner products; (e) chips, dents or cracks caused by abuse or misuse of the Products; (f) service trips to your home to teach you how to use the Products; (g) damage to the Products caused by accident, fire, floods, acts of God; or (h) Custom installations or alterations that impact serviceability of the Products. If you are outside our service area, additional charges may apply for shipping costs for warranty repair at our designated service locations and for the travel cost to have a service technician come to your home to repair, remove or reinstall the Products. After the first year from the date of your original purchase, you are also responsible for all labor costs associated with this warranty. All Products must be installed by a qualified professional installer to be eligible for warranty repairs or service.

**Limitations of Warranty. OUR OBLIGATION TO REPAIR OR REPLACE, AT OUR OPTION, SHALL BE YOUR SOLE AND EXCLUSIVE REMEDY UNDER THIS WARRANTY. WE SHALL NOT BE LIABLE FOR INCIDENTAL, CONSEQUENTIAL OR SPECIAL DAMAGES ARISING OUT OF OR IN CONNECTION WITH THE USE OR PERFORMANCE OF THE PRODUCTS. THE EXPRESS WARRANTIES IN THE PRECEDING SECTION ARE EXCLUSIVE AND IN LIEU OF ALL OTHER EXPRESS WARRANTIES. WE HEREBY DISCLAIM AND EXCLUDE ALL OTHER EXPRESS WARRANTIES FOR THE PRODUCTS, AND DISCLAIM AND EXCLUDE ALL WARRANTIES IMPLIED BY LAW, INCLUDING THOSE OF MERCHANTABILITY AND FITNESS FOR A PARTICULAR PURPOSE.**

Some states or provinces do not allow limitations on the duration of an implied warranty or the exclusion or limitation of incidental or consequential damages, so the above limitations or exclusions may not apply to you. To the extent that applicable law prohibits the exclusion of implied warranties, the duration of any applicable implied warranty is limited to the same three-year and one-year periods described above if permitted by applicable law. Any oral or written description of the Products is for the sole purpose of identifying the Products and shall not be construed as an express warranty. Prior to using, implementing or permitting use of the Products, you shall determine the suitability of the Products for the intended use, and you shall assume all risk and liability whatsoever in connection with such determination. We reserve the right to use functionally equivalent refurbished or reconditioned parts or Products as warranty replacements or as part of warranty service. This warranty is not transferable from the original purchaser and only applies to the consumer residence where the Product was originally installed located in the United States and Canada. This warranty is not extended to resellers.

**To Obtain Service Under Limited Warranty:** To qualify for warranty service, you must: (a) notify us at the address or telephone number stated below within 60 days of the discovery of the defect; (b) give the model number and serial number; and (c) describe the nature of any defect in the Product or part. At the time of the request for warranty service, you must present evidence of your proof of purchase and proof of the original purchase date. If we determine that the warranty exclusions listed above apply or if you fail to provide the necessary documentation to obtain service, you will be responsible for all shipping, travel, labor and other costs related to the services. This warranty is not extended or restarted upon warranty repair or replacements.

Please check our website for any additional Product information, [www.zephyronline.com](http://www.zephyronline.com).

**Zephyr Ventilation Service Department, 2277 Harbor Bay Parkway, Alameda, CA 94502 1-888-880-8368**

MAY20.0401

# Product Registration

Congratulations on the purchase of your Zephyr product! Please take a moment to register your new Zephyr product at [www.zephyronline.com/registration](http://www.zephyronline.com/registration)

## IT'S IMPORTANT

Prompt registration helps in more ways than one.

- Ensures warranty coverage should you need service.
- Ownership verification for insurance purposes.
- Notification of product changes or recalls.



Zephyr Ventilation | 2277 Harbor Bay Pkwy. | Alameda, CA 94502 | 1.888.880.8368