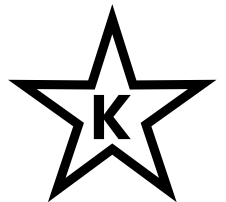
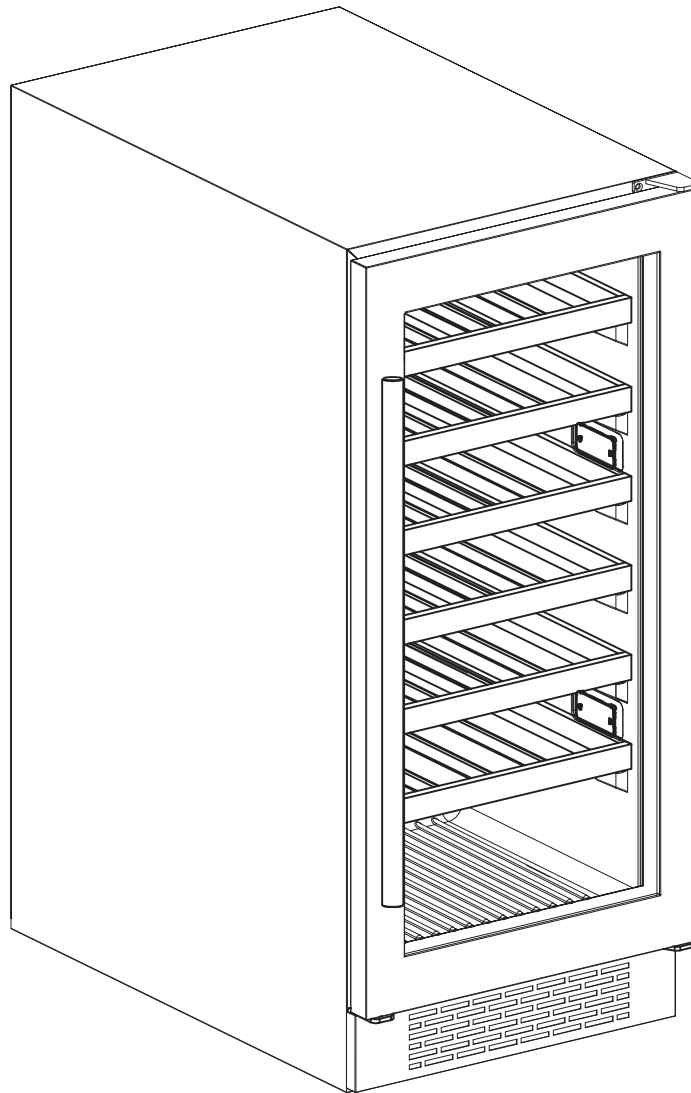


Use, Care, and Installation Guide

PRW15C01AG

Presrv Wine Cooler



Important Safety Information

Improper handling can cause serious damage to the Zephyr wine cooler and/or injury to the user. This wine cooler is designed for domestic indoor use only. Do not use the unit for industrial or commercial use. Any other use may invalidate the warranty. Please review the rating label located on the rear panel of the unit for electrical and other technical data related to this unit. The unit must be used in a properly grounded wall outlet. **Please read and follow the safety information listed below to reduce the risk of fire, electric shock, or injury.**



ELECTRICAL SAFETY

- Do not exceed the power outlet ratings.
- It is recommended the wine cooler be connected on its own circuit.
- The unit must be installed in accordance with state and local electrical codes.
- A standard electrical supply (115 V, 60Hz), that is properly grounded in accordance with the National Electrical Code and local codes and ordinances is required.
- Use outlets that cannot be turned off by a switch or pull chain.
- Always turn the unit off and unplug it from the outlet when cleaning.
- Unplug the unit if it is not going to be used for an extended period of time.
- Do not operate the unit with a power plug missing the ground plug, a damaged cord, or a loose socket.
- Be sure the wine cooler is properly grounded.
- Never plug or unplug the unit with wet hands.
- Do not bypass, cut, or remove the grounding plug.
- Do not use extension cords or power strips with this unit. You may need to contact your electrician if it is necessary to use a longer cord or if you do not have a grounded outlet. Do not modify the power cord's length or share the outlet with other appliances.
- Do not start or stop the unit by switching the circuit's power on and off.
- If the power cord is damaged, it must be replaced by the manufacturer or a qualified technician.
- Never repair the unit while it is plugged in.
- Immediately unplug the unit if it makes strange sounds, emits smells, or smoke comes out of it, and contact customer service.
- Do not remove any part of the casing unless instructed to do so by an authorized technician.
- You should never attempt to repair the unit yourself. Contact customer service for service options if the unit needs service.



GENERAL SAFETY

- To prevent back and other types of injuries, use at least two people to move and install the wine cooler.
- This appliance is not intended for use by persons, including children, with reduced physical, sensory, or mental capabilities, unless they have been given supervision or instruction concerning the use of the appliance by the person(s) responsible for their safety.
- Install the wine cooler in a well ventilated area where the ambient temperature is above 50° F and below 90° F.
- The temperature range for this cooler is optimized for wine storage. Perishable food items may require a different storage environment.
- Do not place hot or warm items into the wine cooler before they cool down to room temperature.
- This unit is designed to be installed indoors, and protected from rain, sleet, snow, and / or moisture.
- Never allow children to crawl inside the wine refrigerator. If you are disposing of the unit, remove the door.
- Do not use this appliance near flammable gas or combustibles, such as gasoline, benzene, thinner, etc.
- Do not place the unit near heat sources such as ovens, grills, or direct sunlight.
- Only use in an upright position on a flat, level surface and provide proper ventilation.
- Do not pinch or kink the power supply line between the unit and cabinet.
- Do not place any other appliances on top of the unit.
- Do not turn the unit upside down, on its side, or at an angle off level.
- If your model of wine cooler is equipped with a lock, take care to keep the keys away from children.
- Do not move the unit without removing the contents and securing the door in a closed position.



Note: Flammable Refrigerant Used! When handling, moving, and using the cooler, make sure to avoid either damaging the refrigerant tubing, or increasing the risk of a leak.



Prop. 65 Warning for California Residents

WARNING: This product may contain chemicals known to the State of California to cause cancer, birth defects, or other reproductive harm.

Table of Contents

<i>Important Safety Information</i>	<i>ii</i>
<i>Table of Contents</i>	<i>iv</i>
First Time Operating Instructions.....	v
<i>Introduction</i>	1
<i>Parts Identification & Dimensions</i>	2 - 3
<i>Installing Your Wine Cooler</i>	3 - 5
<i>Installing Your Door Handle and Shelves</i>	5 - 6
Reversing Door Handle Placement	7
<i>Operation</i>	8 - 9
<i>Internal Light</i>	9
<i>Defrosting</i>	10
<i>Normal Sounds</i>	10
<i>Cleaning and Maintenance</i>	10
<i>Preparing Your Wine Cooler for Storage</i>	11
<i>Troubleshooting</i>	11 - 12
<i>Specifications</i>	13
<i>Zephyr Product Warranty</i>	14

First Time Operating Instructions:

Before use, make sure all packaging labels and materials are removed from the unit. Be sure to keep track of all included parts and pieces before discarding packaging materials. It is advised that you keep the original box and packaging materials in case you need to move or ship the appliance in the future.

Allow the unit to stand for at least 24 hours before you use it; this allows the cooling components time to settle from transit. The instruction manual should be read before use.

This owner's manual is provided for reference use only. Specifications may change without prior notice. Refer to the product label on the back of your wine cooler for the latest technical information.

Introduction

Thank you for purchasing your Zephyr wine cooler. Zephyr is dedicated to developing products that will enhance your lifestyle with superior quality and distinctive features. Please visit www.zephyronline.com for more information on your product and other Zephyr products.

This manual contains important information regarding the proper installation, use, and maintenance of your wine cooler. Following this manual will ensure that your product will work at its peak performance and efficiency.

Please save the original product packaging in case you need to safely transport your wine cooler.

For Your Records:

Please write down the model number and serial number below for future reference. Both numbers are located on the rating label on the back of your unit and are needed to obtain warranty service. You may also want to staple your receipt to this manual as it is the proof of your purchase, and is also needed for service under your warranty.

Model Number:

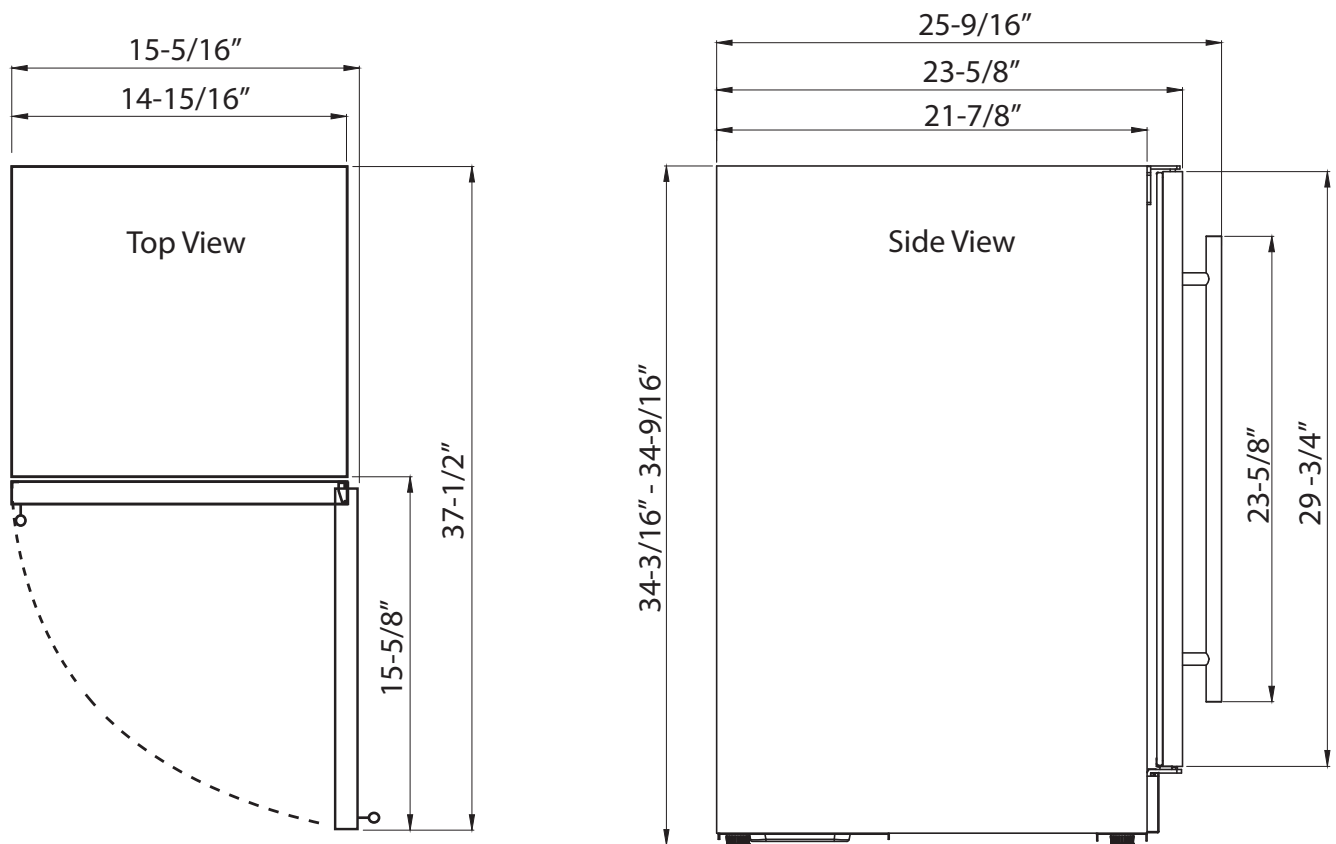
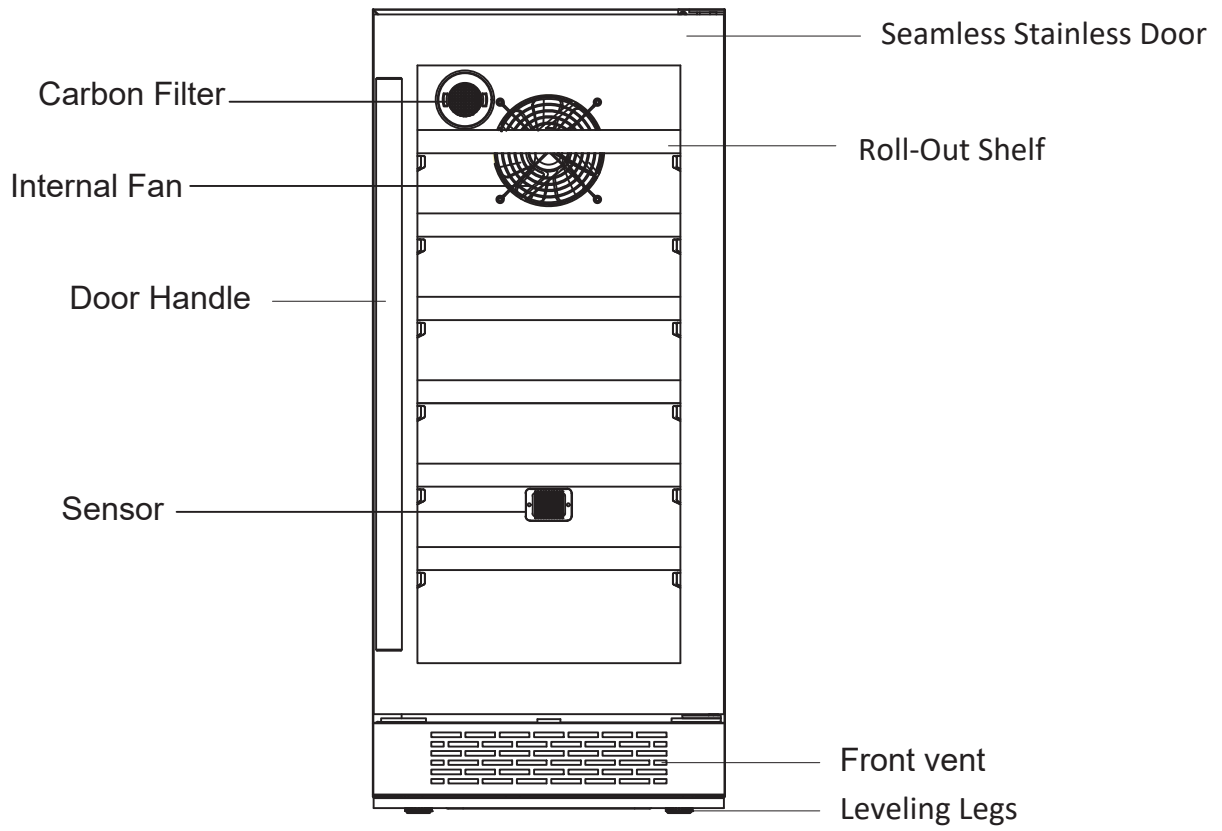
Serial Number:

Date of Purchase:

To better serve you, please do the following before contacting customer service:

- If you received a damaged product, immediately contact the retailer or dealer that sold you the product.
- Read and follow this instruction manual carefully to help you install, use, and maintain your wine refrigerator.
- Read the troubleshooting section of this manual as it will help you diagnose and solve common issues.
- Visit us on the web at <http://www.zephyronline.com> to download product guides, additional troubleshooting resources, and up-to-date information.
- If you need warranty service, our friendly customer service representatives are available via email at productsupport@zephyronline.com or by telephone at 888-880-8368.

Parts Identification & Dimensions



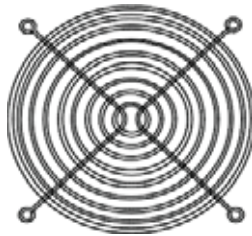
Carbon Filter

A built-in carbon filter protects your beverages by acting as a natural barrier against harmful odors.



Internal Fan

This is an air-cooled unit equipped with an internal fan that maintains a consistent internal temperature.



Note: The carbon filter should be replaced every 3-6 months depending on the unit's exposure level to odor. If the unit is placed in a kitchen, regular replacement every three (3) months is ideal.

Carbon Filter Replacement Part #: ZOF-C004



Tip: Gather the model and serial number from the product label and write them down before installing the wine cooler.

Installing Your Wine Cooler

The wine cooler should be installed in accordance with local electrical code requirements. It should also be placed in a location that is strong enough to support its total weight, keeping in mind that it will weigh substantially more when fully loaded than when empty.

Before you plug the wine cooler into a power supply, be sure to let it stand upright for at least 24 hours to allow the compressor's oils to settle.



Warning: Use two or more people to move and install the wine cooler. Failure to do so can result in back or other injury. Carefully remove the packaging materials. Remove any shipping tape and glue from your wine cooler before using. Do not use sharp instruments, rubbing alcohol, flammable fluids, or abrasive cleaners to remove tape or glue. These products can damage the surface of your wine cooler.



Important: Do not remove any safety, warning, or product information labels from your wine cooler.

TYPES OF INSTALLATION:

This wine cooler has been designed for free-standing or built-in installation. In every case, there must be adequate ventilation and access for service.

Free-standing Installation

A free-standing installation will allow you to install the wine cooler in almost any place you desire. You must follow the stated instructions for electrical requirements and leveling the wine cooler.

Built-in Installation

A recessed installation will allow you to install the wine cooler under a counter or in a kitchen cabinet provided the clearance space requirements around the wine cooler are followed. It is necessary to allow adequate ventilation space around the unit (make sure there is at least some ventilation room for the back of the unit). The following additional items must be observed:

1. Place the wine cooler in front of the installation location.
2. Adjust the feet and place the unit flat on the floor or on a platform depending on your installation requirements.
3. If the electrical outlet for the wine cooler is behind the cabinet, plug in the wine cooler.
4. Push the wine cooler into position.

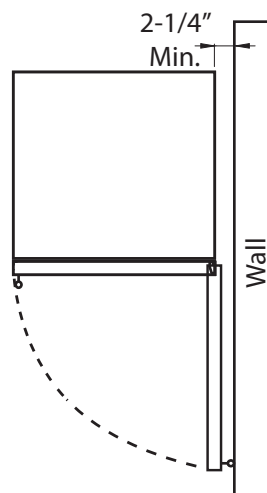
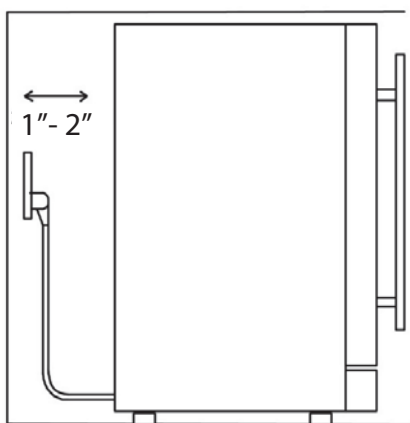


Warning: DO NOT install the wine cooler behind a closed cabinet door.

Installation Clearance Requirements:

When installing the wine cooler under a counter, follow the recommended spacing dimensions shown.

- To ensure proper service access and ventilation, allow between 1 - 2 inches of clearance at the back as shown in the diagram.
- The installation should allow the unit to be pulled forward for servicing, if necessary.
- A standard electrical supply (115 VAC only, 60 Hz), properly grounded in accordance with National Electrical Code and local codes and ordinances, is required.
- An installation next to a wall will require a minimum 2-1/4" door clearance to accommodate the handle.



Important: Once you are ready to install the unit in a cabinet or directly on the floor, you must adjust the feet to level the wine cooler.

LEVELING:

The wine cooler should be installed on a firm and level surface that will be able to support the entire weight of a fully loaded unit. It is important for the wine cooler to be leveled in order to work properly. It can be raised or lowered by rotating the plastic sheaths around each of the feet on the bottom of the machine. If you find that the surface is not level, rotate the feet until the wine cooler becomes level. You may need to make several adjustments to level it. We recommend using a carpenter's level to check the machine. Turn the leveling feet to the right to lower that side of the cooler. Turn the leveling feet to the left to raise that side of the cooler.

RECOMMENDED GROUNDING METHOD:

For your personal safety, this appliance must be grounded. It is equipped with a power supply cord having a 3-prong grounding plug. To minimize possible shock hazard, the cord must be plugged into a mating 3-pronged wall socket, and grounded in accordance with the National Electrical Code and local codes and ordinances. If a mating wall socket is not available, it is the personal responsibility of the customer to have a properly grounded, 3-prong wall receptacle installed by a qualified electrician.



Electrical Shock Hazard!

- ☒ Plug into a grounded 3-prong outlet.
- ☒ Never remove the grounding prong from the plug.
- ☒ Never use an adapter to bypass the grounding prong.
- ☒ DO NOT use an extension cord.
- ☒ Failure to follow these instructions can result in fire, electrical shock, or personal injury.

Before you move your wine cooler into its final location, it is important to make sure you have the proper electrical connection. A standard electrical supply (115 V, 60Hz), properly grounded in accordance with the National Electrical Code and local codes and ordinances, is required. It is recommended that a separate circuit, serving only your wine cooler, be provided. Use receptacles that cannot be turned off by a switch or pull chain.

The fuse (or circuit breaker) size should be 15 Amps.

Installing Your Door Handle and Shelves

INSTALLING THE DOOR HANDLE:

1. Open the door and carefully pull the door gasket around the area where the handle is to be installed.
2. Insert each Phillips head screw through the gasket side of the door until the screw passes through the door.
3. Align the handle with the screws and tighten using a Phillips head screwdriver until the handle is flush against the door frame.

Caution: Do not over-tighten the screws as this may cause damage to the handle or to the stainless steel door.

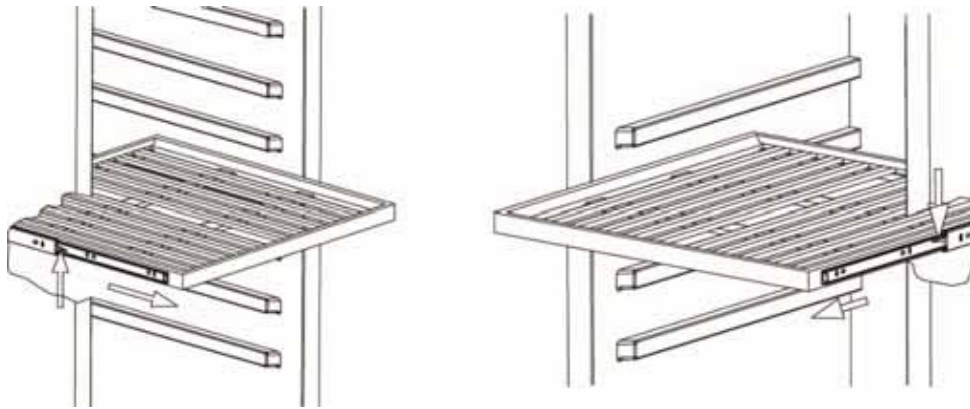
4. Carefully press the door gasket into its original position.

INSTALLING THE SHELVES:

1. Open the door completely.
2. Push the shelf tracks affixed to the walls of the inner cabinet to the rear of the unit so that the tracks are fully seated inside the cooler compartment.
3. Line up the rails affixed to the shelf with the corresponding wine cooler tracks attached to the inner cabinet walls.
4. Push the front of the shelf inwards evenly until the shelf rests fully inside of the unit and you are able to close the door.
5. The shelf should glide smoothly back and forth. If it does not, you may need to remove it and start over.

REMOVING THE SHELVES:

1. Open the door completely.
2. Remove all of the contents loaded on the shelf, if applicable.
3. Pull the shelf towards yourself until it is fully extended outward.
4. The shelf has plastic posts on both sides as indicated in the diagram below. While facing the unit, press the plastic post on the right side down while pulling up on the left plastic post. You may choose to do this by hand or by using a flathead screwdriver.
5. Evenly pull out the shelf from the track until it is completely removed from the inner compartment.



Tip: To prevent damaging the door gasket, make sure to open the door fully before pulling the shelves out of their tracks.



Note: The cooler may experience decreased cooling efficiency if air flow is restricted due to a fully loaded cabinet.

Reversing Door Handle Placement

REVERSING THE DOOR:

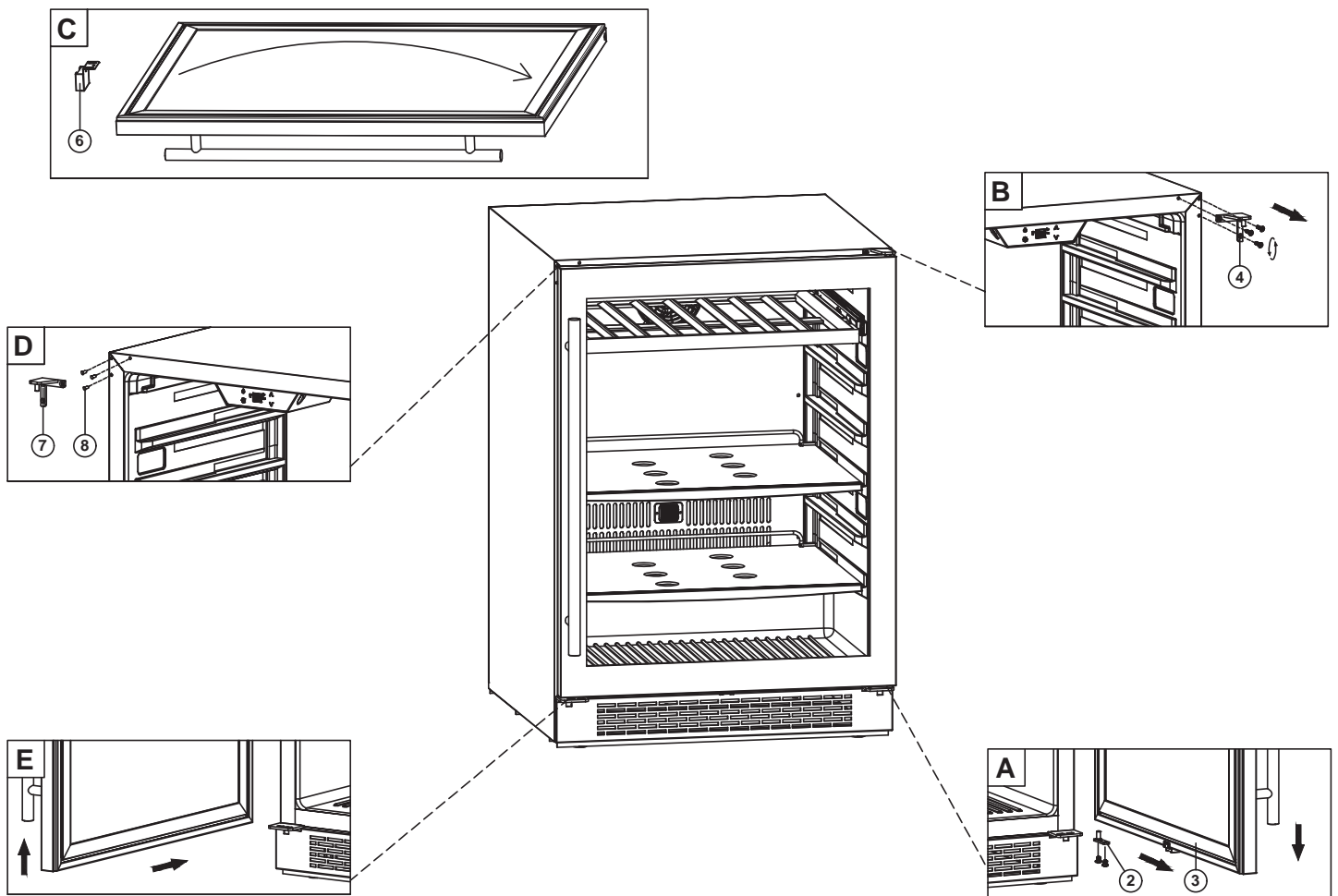
- A. Open the door to a 90 degree angle, take out the 2 screws from the lower door axis (2), remove the door (3) and the axis plate from the door.
- B. Take out the 3 hinge screws from the top right hinge (4) and remove it.
- C. Unscrew 2 screws at the bottom of the door and remove the Reed switch (6), then install the Reed switch at the top of the door frame.
- D. Remove the decorative covers (8) from the top left of the cabinet and install the new top hinge (7) at top of the cabinet with 3 screws.
- E. Install the door once correctly aligned.



WARNING: Disconnect power before removing doors.



Note: Door reversal operation requires at least two persons.

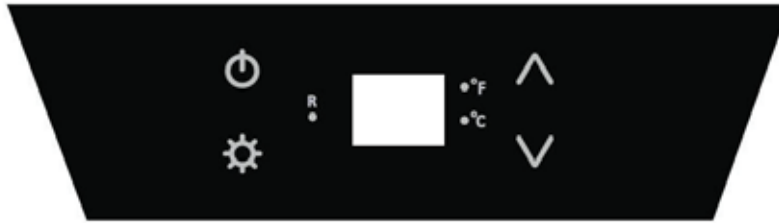


Operation

INSTALLATION CHECK-LIST BEFORE OPERATION:

1. Have all packing materials and tape been removed from the interior and exterior of the wine refrigerator?
2. Have the installation instructions been followed, including connecting the machine to electricity?
3. Has proper grounding been installed for the wine refrigerator?
4. Has the machine been leveled?
5. Is the wine refrigerator in a site where the ambient temperature is between 50° F and 90° F all year round?
6. Is there a clearance of at least 1" to 2" at the rear for proper air circulation?

USING YOUR CONTROL PANEL:



This wine cooler has a temperature range from 40° F to 65° F.



Power Button

Press and hold this button for three seconds to power your unit on or off. While the unit is on the R “Compressor Running” light may illuminate to indicate the internal compressor is active.



Increase Temperature

Press this button to increase the temperature by one (1) degree increments. 65° F is the highest available temperature on this unit.



Decrease Temperature

Press this button to decrease the temperature by one (1) degree increments. 40° F is the lowest available temperature on this unit.



Interior Light

Press this button to cycle through the different internal light settings. There are three light settings: Amber, Cloud White and Deep Blue.

Open and close the door to check the internal light color and whether the lights stay on with the door closed (Display Mode) or illuminate only when the door is open (Automatic Mode). Please refer to the “Internal Light” section on the next page for further detail.

Sabbath Mode

This unit offers a Sabbath mode. Sabbath mode disables system responses to user initiated activities and all external functions, including lighting, display and audible alarms. The unit will still maintain internal temperatures and set points.

To enable or disable Sabbath Mode:

Press the Power Button and simultaneously press the Increase Temperature Button twice to enable or disable. The interior light and control display will go dark until user disables Sabbath Mode.

Note: Although the display will not be visible, the temperature settings will remain active and preserve the internal temperature. Sabbath Mode will remain active until it is disabled by the user.



Note: Pressing and holding the increase and decrease temperature buttons at the same time will switch the temperature display from °F to °C.



Tip: If you powered the unit off, please wait at least five (5) minutes before powering it back on.



Warning: Allow at least 24 hours for your wine cooler to run before storing your beverages and to allow the temperature to acclimate. Whether your wine cooler can reach the actual set temperature depends on the ambient environmental conditions.



Note: If door is left ajar for a period of (3) minutes or more the unit door ajar alarm will beep until door is closed.



Note: The Wine Cooler is equipped with a temperature memory function. If power is suddenly lost, the previously set temperature will be saved and the refrigerator will return to this setting once power is restored.



Note: If the interior temperature is higher than 73°F (23°C), "HI" is shown on the display panel and the buzzer alarm sounds continuously after one hour. This indicates that the inner temperature is too high, and you should look for the reason. If the inner temperature is lower than 32°F (0°C), "LO" is shown on the display panel; the alarm and the malfunction indicator light go on at the same time.

Internal Light

This cooler is equipped with side internal lights that can be set to Amber, Cloud White or Deep Blue color. Because the unit comes with a glass door, the inside will be seen whether the door is open or closed. You can choose to display each color of light in two different modes: Display Mode and Automatic Mode.

Display Mode

The internal lights will stay constantly illuminated whether the door is open or closed.

Automatic Mode

The internal lights will illuminate each time the door is opened and fade off once the door is closed. This feature is triggered by a sensor located on the front vent. This sensor allows the cooler to recognize when the door is open or closed.

To change to between Display Mode and Automatic Mode, press and hold Light button for 3 seconds.



Note: We run test every unit that we produce in our factory. Because of this, your model may default to any of the above settings out of the box. Simply cycle through the progression of settings until you reach your desired light setting.



Tip: Close the door to determine if the light is currently in Display Mode or Automatic Mode. In Display Mode the lights will remain on, and in Automatic Mode the lights will fade off once the door is closed.

Defrosting

Note that under most refrigerating settings, the unit will automatically defrost under most ambient conditions. However, on colder settings, some frost may build up. Additionally, the more humid the ambient conditions, the more frost may build up. Keep the door closed as much as possible and avoid opening the door unnecessarily to minimize frost build-up.

If frost is preventing the door from closing properly, you may need to power the unit off until the frost melts. Use a soft absorbent towel to dry the unit.



Warning: Never attempt to remove frost with a sharp object.

Normal Sounds

Your new wine cooler may make sounds that are not familiar to you. Most of the new sounds are normal. Hard surfaces like the floor or walls can make the sounds seem louder than they actually are. The following describes the kinds of sounds that might be new to you and what may be making them.

- Rattling noises may come from the flow of the refrigerant or the water line.
- Items stored on top of the wine cooler can also make noises.
- The high efficiency compressor may make a pulsating or high-pitched sound.
- The internal fan will run frequently to create a consistent internal temperature environment.
- Water running from the evaporator to the water bin may make a splashing sound.
- As each cycle ends, you may hear a gurgling sound due to the refrigerant flowing in your wine refrigerator.
- You may hear air being forced over the condenser by the condenser fan.

Cleaning and Maintenance

Periodic cleaning and proper maintenance will ensure efficiency, top performance, and long life.

INTERIOR CLEANING:

1. Disconnect power to the unit.
2. Open the door and remove the contents and shelves.
3. Wait until the unit defrosts.
4. With a clean cloth, wipe down the interior of the unit.
5. Reinsert the shelves and beverages.
6. Reconnect power to the unit.

EXTERIOR CLEANING:

The door and cabinet may be cleaned with a mild detergent and lukewarm water solution such as two (2) tablespoons of baking soda to one (1) quart of water. Do not use solvent based or abrasive cleaners. Use a soft sponge and rinse with clean water. Wipe with a soft clean towel to prevent water spotting. If the door panel is stainless steel, it can discolor when exposed to chlorine gas and moisture. Clean stainless steel with a cloth dampened with a mild detergent and warm water solution. Never use an abrasive or caustic cleaning agent.

Preparing Your Wine Cooler for Storage

If the wine cooler will not be used for a long time, or is to be moved to another place, it will be necessary to defrost the unit and dry the interior.

1. Disconnect the cooler from the power supply by removing the power plug from the wall socket.
2. Leave the door open to allow for air circulation and to prevent mold, mildew, and unpleasant smells.
3. Once the interior is dry and clean the unit will be ready for storage.



Caution: Store the unit out of the reach of children. If you have children, you may want to take additional precautions such as removing the door to prevent a child from being trapped inside the cooler.



Important: Do NOT touch the power plug when your hands are wet. NEVER unplug the unit by pulling the plug.

Troubleshooting

ISSUE	POSSIBLE CAUSE	SOLUTION
The wine cooler turns on and off frequently.	The room temperature is higher than the recommended ambient environment.	Run the cooler at the appropriate ambient temperature.
	The door is being opened often.	Minimize the number of times the door is opened.
	The door is not completely closed.	Make sure the door is completely closed.
	The door gasket is not sealing properly.	Make sure the door gasket is properly sealed.
	The cooler does not have the suggested ventilation.	Read and follow the "Installation Clearance Requirements" section.
The wine cooler does not turn on.	There is a power failure.	Ensure the cooler is plugged in and the outlet has power.
	The cooler is not plugged in.	Plug the unit in to a power outlet that has sufficient amperage.
	A house fuse has blown or the circuit breaker is tripped.	Replace the broken fuse in your fuse box or reset the breaker.
	Sabbath mode may be enabled.	See Operation page and verify Sabbath mode is disabled.

ISSUE	POSSIBLE CAUSE	SOLUTION
The wine cooler will not reach the desired temperature.	The cooler is placed too close to a heat source.	Keep the cooler away from direct sunlight or other heat sources.
	The cooler does not have sufficient ventilation.	Read and follow the "Installation Clearance Requirements" section.
	The door is opened too frequently or for long periods of time.	Close the door tightly and do not open the door too frequently or for long periods of time.
The wine cooler is making strange noises.	Certain sounds are normal	Read the "Normal Sounds" section.
	The unit is not level or is touching another appliance.	Check to make sure the cooler is level and that it is not in contact with another appliance or furniture.
The body of the wine cooler is electrified.	The unit is not properly grounded.	Contact your local electrician to test your electrical grounding system.
Frost is forming in the wine cooler.	The environment is humid.	Through the unit uses an "auto-defrost" system, under certain conditions, manual defrosting may be required. If frost builds up, you can try running the cooler on a warmer temperature setting, minimizing the number of times you open the door, or unplugging the unit to allow the frost to melt.
	The ambient temperature is too low.	
	The door is being opened too frequently.	
The door will not shut properly.	The cooler is not level.	Make sure the cooler is on a level surface.
	The door gasket is dirty.	Clean the door gasket.
	The door gasket is not installed correctly.	Make sure the door gasket is properly installed.
	The shelves are incorrectly installed.	Install the shelves correctly.

Specifications

DESCRIPTION OF PRODUCT	Single Zone Built-In Wine Cooler
MODEL	PRW15C01AG
VOLTAGE / FREQUENCY	AC 115 / 60 Hz
AMPERAGE	1.5 A
INPUT POWER	120 W
COLOR	Black Cabinet with Stainless Steel Door
STORAGE CAPACITY	27 Bottles*
REFRIGERANT	R600a, 1.06 oz.
TEMPERATURE RANGE	40° F to 65° F
DIMENSIONS (HEIGHT X WIDTH X DEPTH)	34 ³ / ₁₆ " X 14 ¹⁵ / ₁₆ " X 23 ⁵ / ₈ "
WEIGHT	93 Pounds
OPTIONAL PRO HANDLE ACCESSORY	PRHAN-C001
REPLACEMENT CARBON FILTER	ZOF-C004

*Storage capacity is based on standard 750 ml. Bordeaux-style wine bottles.



Note: Technical data and performance information are provided for reference only. Specifications are subject to change. Check the rating label on the wine cooler for the most accurate information.

ZEPHYR Limited Warranty

Zephyr Ventilation, LLC (referred to herein as “we” or “us”) warrants to the original consumer purchaser (referred to herein as “you” or “your”) of Zephyr products (the “Products”) that such Products will be free from defects in materials or workmanship as follows:

Five Year Limited Warranty for Compressor: For five years from the date of your original purchase of the Products, we will provide, free of charge, compressor parts to replace those that failed due to manufacturing defects subject to the exclusions and limitations below. We may choose, in our sole discretion, to repair or replace parts before we elect to replace the Products.

Two Year Limited Warranty for Parts: For two years from the date of your original purchase of the Products, we will provide, free of charge, Products or parts (including LED light bulbs, if applicable) to replace those that failed due to manufacturing defects subject to the exclusions and limitations below. We may choose, in our sole discretion, to repair or replace parts before we elect to replace the Products.

One Year Limited Warranty for Labor: For one year from the date of your original purchase of the Products, we will provide, free of charge, the labor cost associated with repairing the Products or parts to replace those that failed due to manufacturing defects subject to the exclusions and limitations below. After the first year from the date of your original purchase, you are responsible for all labor costs associated with this warranty.

To Obtain Service Under Limited Warranty: To qualify for warranty service, you must: (a) notify us at the address or telephone number stated below within 60 days of the discovery of the defect; (b) give the model number and serial number; and (c) describe the nature of any defect in the Product or part. At the time of the request for warranty service, you must present evidence of your proof of purchase and proof of the original purchase date. If we determine that the warranty exclusions listed above apply or if you fail to provide the necessary documentation to obtain service, you will be responsible for all shipping, travel, labor and other costs related to the services. This warranty is not extended or restarted upon warranty repair or replacements.

Warranty Exclusions: This warranty covers only repair or replacement, at our option, of defective Products or parts and does not cover any other costs related to the Products including but not limited to: (a) normal maintenance and service required for the Products and consumable parts such as filters, light bulbs, fuses; (b) any Products or parts which have been subject to freight damage, misuse, negligence, accident, faulty installation or installation contrary to recommended installation instructions, improper maintenance or repair (other than by us); (c) commercial or government use of the Products or use otherwise inconsistent with its intended purpose; (d) natural wear of the finish of the Products or wear caused by improper maintenance, use of corrosive and abrasive cleaning products, pads, and oven cleaner products; (e) chips, dents or cracks caused by abuse or misuse of the Products; (f) service trips to your home to teach you how to use the Products; (g) damage to the Products caused by accident, fire, floods, acts of God; or (h) Custom installations or alterations that impact serviceability of the Products. (i) Damage to personal property or food spoilage from use of this product. If you are outside our service area, additional charges may apply for shipping costs for warranty repair at our designated service locations and for the travel cost to have a service technician come to your home to repair, remove or reinstall the Products. After the first year from the date of your original purchase, you are also responsible for all labor costs associated with this warranty. All Products must be installed by a qualified professional installer to be eligible for warranty repairs or service.

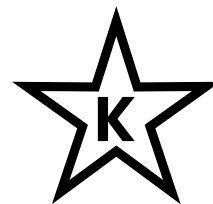
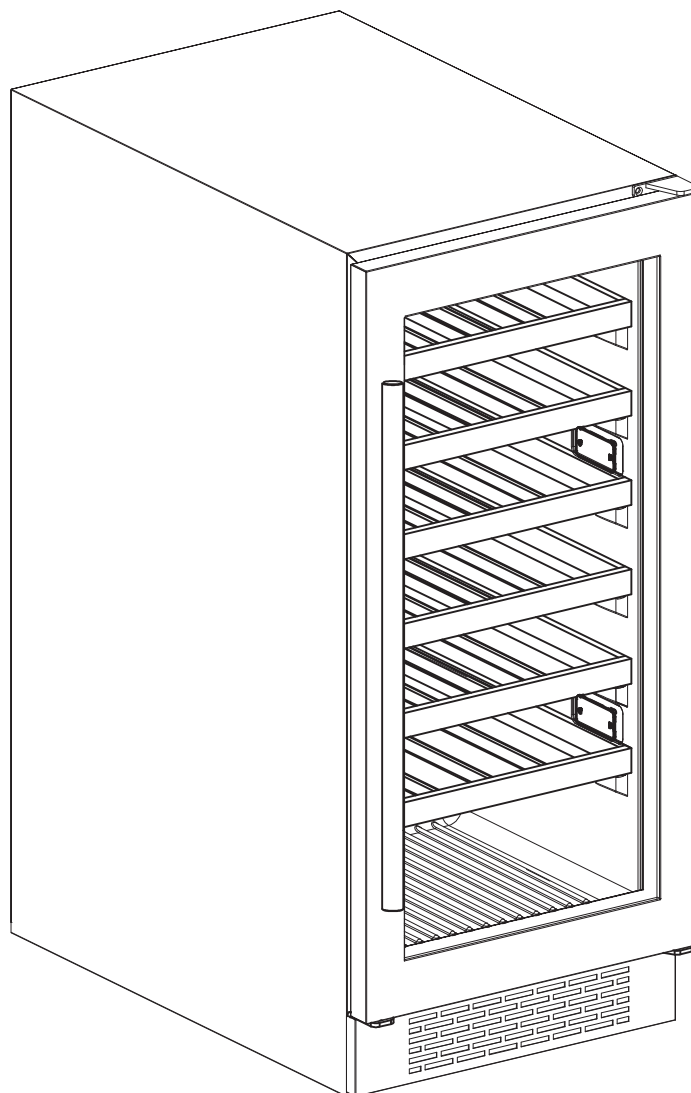
Limitations of Warranty: OUR OBLIGATION TO REPAIR OR REPLACE, AT OUR OPTION, SHALL BE YOUR SOLE AND EXCLUSIVE REMEDY UNDER THIS WARRANTY. WE SHALL NOT BE LIABLE FOR INCIDENTAL, CONSEQUENTIAL OR SPECIAL DAMAGES ARISING OUT OF OR IN CONNECTION WITH THE USE OR PERFORMANCE OF THE PRODUCTS. THE EXPRESS WARRANTIES IN THE PRECEDING SECTION ARE EXCLUSIVE AND IN LIEU OF ALL OTHER EXPRESS WARRANTIES. WE HEREBY DISCLAIM AND EXCLUDE ALL OTHER EXPRESS WARRANTIES FOR THE PRODUCTS, AND DISCLAIM AND EXCLUDE ALL WARRANTIES IMPLIED BY LAW, INCLUDING THOSE OF MERCHANTABILITY AND FITNESS FOR A PARTICULAR PURPOSE. Some states or provinces do not allow limitations on the duration of an implied warranty or the exclusion or limitation of incidental or consequential damages, so the above limitations or exclusions may not apply to you. To the extent that applicable law prohibits the exclusion of implied warranties, the duration of any applicable implied warranty is limited to the same two-year and one-year periods described above if permitted by applicable law. Any oral or written description of the Products is for the sole purpose of identifying the Products and shall not be construed as an express warranty. Prior to using, implementing or permitting use of the Products, you shall determine the suitability of the Products for the intended use, and you shall assume all risk and liability whatsoever in connection with such determination. We reserve the right to use functionally equivalent refurbished or reconditioned parts or Products as warranty replacements or as part of warranty service. This warranty is not transferable from the original purchaser and only applies to the consumer residence where the Product was originally installed located in the United States and Canada. This warranty is not extended to resellers.

Please check our website for any additional Product information, www.zephyronline.com.

Zephyr Ventilation Service Department, 2277 Harbor Bay Parkway, Alameda, CA 94502 1-888-880-8368

PRW15C01AG

Refroidisseur de vin Preserv



Renseignements de sécurité importants

La manutention inappropriée du refroidisseur de boissons Zephyr peut entraîner de sérieux dommages à l'appareil ou causer une blessure à l'utilisateur. Ce refroidisseur de boissons n'est conçu que pour une utilisation ménagère intérieure. N'utilisez pas cet appareil à des fins industrielles ou commerciales. Toute autre utilisation peut annuler la garantie. Veuillez examiner la plaque signalétique se trouvant sur le panneau arrière de l'appareil pour consulter les données électriques et d'autres détails techniques. L'appareil doit être branché à une prise de courant murale adéquatement mise à la terre. Veuillez lire et respecter les consignes de sécurité ci-dessous pour réduire tout risque d'incendie, de décharge électrique ou de blessure.



SÉCURITÉ ÉLECTRIQUE

- Respectez la puissance nominale maximale de la prise de courant.
- Nous vous recommandons de brancher le refroidisseur de boissons à un circuit exclusif.
- L'appareil doit être installé en conformité avec les codes de l'électricité de votre région ainsi que de votre état ou province.
- Une alimentation électrique standard (115 V, 60 Hz) est requise avec une mise à la terre adéquate et en conformité avec le Code national de l'électricité ainsi qu'avec les codes et ordonnances locaux.
- Utilisez des prises qui ne peuvent pas être mises hors tension par un interrupteur à bascule ou à tirage.
- Assurez-vous de toujours éteindre et débrancher l'appareil lorsque vous le nettoyez.
- Débranchez l'appareil si vous comptez ne pas l'utiliser pendant une longue période.
- Ne branchez pas l'appareil si le cordon d'alimentation est endommagé ou si la prise de courant est mal installée ou dépourvue d'une fiche de mise à la terre.
- Assurez-vous que le refroidisseur de boissons est convenablement mis à la terre.
- Ne branchez et ne débranchez jamais l'appareil si vos mains sont mouillées.
- Ne déviez pas, ne coupez pas et n'enlevez pas la fiche de mise à la terre.
- N'utilisez pas de rallonge électrique ou de barre multiprise avec cet appareil. Il est possible que vous ayez à communiquer avec votre électricien s'il est nécessaire d'utiliser un câble plus long ou si la prise de courant n'est pas mise à la terre. Ne modifiez pas la longueur du cordon d'alimentation et ne branchez pas l'appareil à une prise où d'autres électroménagers sont branchés.
- N'allumez pas et n'éteignez pas l'appareil en coupant et en activant le circuit auquel il est branché.
- Si le cordon d'alimentation est endommagé, le fabricant ou un technicien qualifié doit procéder à son remplacement.
- Ne procédez jamais à la réparation de l'appareil s'il est branché.
- Débranchez immédiatement l'appareil s'il fait des bruits étranges ou si des odeurs ou de la fumée s'en dégagent, et communiquez avec le service à la clientèle.
- N'enlevez aucune pièce du bâti de l'appareil à moins qu'un technicien autorisé vous indique de le faire.
- N'essayez jamais de réparer vous-même l'appareil. Communiquez avec le service à la clientèle pour connaître les options d'entretien et de réparation qui s'offrent à vous en cas de besoin.



SÉCURITÉ GÉNÉRALE

- Pour prévenir les blessures au dos et d'autres types de blessures, deux personnes ou plus devraient déplacer et installer le refroidisseur de boissons.
- Cet appareil n'est pas conçu pour être utilisé par des personnes, y compris des enfants, qui ont des capacités physiques, sensorielles ou mentales réduites, à moins qu'elles soient supervisées ou qu'elles aient reçu des instructions sur l'utilisation de l'appareil par la ou les personnes responsables de leur sécurité.
- Installez le refroidisseur de boissons dans un endroit bien aéré où la température ambiante est supérieure à 50 °F, mais inférieure à 90 °F.
- La plage de températures de ce refroidisseur est optimale pour l'entreposage de boissons. Les aliments périssables peuvent nécessiter des conditions d'entreposage différentes.
- Ne mettez pas d'articles chauds dans le refroidisseur de boissons. Attendez plutôt qu'ils soient à la température de la pièce.
- Cet appareil est conçu pour être installé à l'intérieur, à l'abri de la pluie, du grésil, de la neige et de l'humidité.
- Ne laissez jamais des enfants entrer dans le refroidisseur de boissons. Si vous vous débarrassez de l'appareil, enlevez la porte.
- N'utilisez pas cet appareil près de gaz inflammables ou de combustibles, comme de l'essence, de benzène, du diluant, etc.
- Ne placez pas l'appareil près de sources de chaleur, comme un four, un gril ou la lumière solaire directe.
- N'utilisez cet appareil que dans une position verticale sur une surface plane et de niveau, et assurez-vous que l'aération est adéquate.
- Ne coinciez pas et ne pliez pas le cordon d'alimentation de l'appareil dans l'armoire où il est installé.
- Ne mettez pas d'autres électroménagers sur l'appareil.
- Ne placez pas l'appareil à l'envers, sur le côté ou en angle.
- Si votre refroidisseur de boissons est muni d'une serrure à verrou, assurez-vous de toujours garder les clés hors de la portée des enfants.
- Si vous déplacez l'appareil, videz-le de son contenu et fixez la porte dans une position fermée.



Note : Cet appareil contient un fluide réfrigérant inflammable! Lorsque vous manipulez, déplacez et utilisez le refroidisseur, prenez soin de ne pas endommager les tubes ou augmenter les risques de fuite.



Proposition 65 à l'intention des résidents de la Californie

AVERTISSEMENT : Ce produit peut contenir des produits chimiques qui, selon l'État de la Californie, peuvent causer le cancer, des anomalies congénitales ou d'autres problèmes congénitaux.

Tables des matières

Renseignements de sécurité importants.....	<i>ii</i>
Tables des matières.....	<i>iv</i>
Instructions à suivre lors de la première utilisation.....	<i>v</i>
Introduction.....	<i>1</i>
Identification des pièces et dimensions.....	<i>2 - 3</i>
Installation du refroidisseur de boissons.....	<i>3 - 5</i>
Installation de la poignée de la porte et des tablettes.....	<i>5 - 6</i>
Permutation de l'ouverture de la porte.....	<i>7</i>
Fonctionnement.....	<i>8 - 9</i>
Éclairage intérieur.....	<i>9</i>
Dégivrage.....	<i>10</i>
Bruits normaux.....	<i>10</i>
Nettoyage et entretien.....	<i>10</i>
Préparation du refroidisseur de boissons pour entreposage.....	<i>11</i>
Dépannage.....	<i>11 - 12</i>
Spécifications.....	<i>13</i>
Garantie du produit de Zephyr.....	<i>14</i>

Instructions à suivre lors de la première utilisation

Avant d'utiliser pour la première fois l'appareil, assurez-vous d'enlever l'emballage et les étiquettes. Assurez-vous d'avoir en votre possession toutes les pièces incluses avant de jeter le matériel d'emballage. Nous vous recommandons de conserver la boîte et le matériel d'emballage pour tout futur déplacement ou expédition de l'appareil.

Laissez reposer l'appareil au moins 24 heures avant de l'utiliser pour permettre aux composantes du système de refroidissement de se stabiliser. Veuillez lire le manuel d'instruction dans son intégralité avant d'utiliser l'appareil.

Le manuel du propriétaire n'est fourni qu'à des fins de référence. Les spécifications de l'appareil peuvent changer sans préavis. Consultez l'étiquette du produit, situé à l'arrière du refroidisseur de boissons, pour connaître les plus récentes données techniques.

Introduction

Merci de vous être procuré un refroidisseur de boissons Zephyr. Zephyr se spécialise dans l'élaboration de produits de qualité supérieure dotés de fonctionnalités distinctives qui améliorent votre style de vie. Veuillez visiter www.zephyronline.com pour obtenir de plus amples renseignements sur votre appareil et d'autres produits Zephyr.

Ce manuel contient des renseignements importants relatifs à l'installation, à l'utilisation et à l'entretien adéquats de votre refroidisseur de boissons. Suivez les instructions de ce manuel pour maximiser le rendement et l'efficacité de votre appareil.

Veuillez conserver l'emballage original de l'appareil pour faciliter le transport éventuel de votre refroidisseur de boissons.

Pour vos dossiers :

Veuillez prendre note du numéro de modèle et du numéro de référence de votre appareil ci-dessous en vue de consultations ultérieures. Ces deux numéros, nécessaires pour obtenir les services d'entretien et de réparation couverts par la garantie, se trouvent sur la plaque signalétique située à l'arrière de l'appareil. Vous pouvez également agraffer votre reçu au manuel, puisqu'il s'agit de la preuve d'achat dont vous aurez aussi besoin pour obtenir du service pendant la période de garantie.

Numéro de modèle :

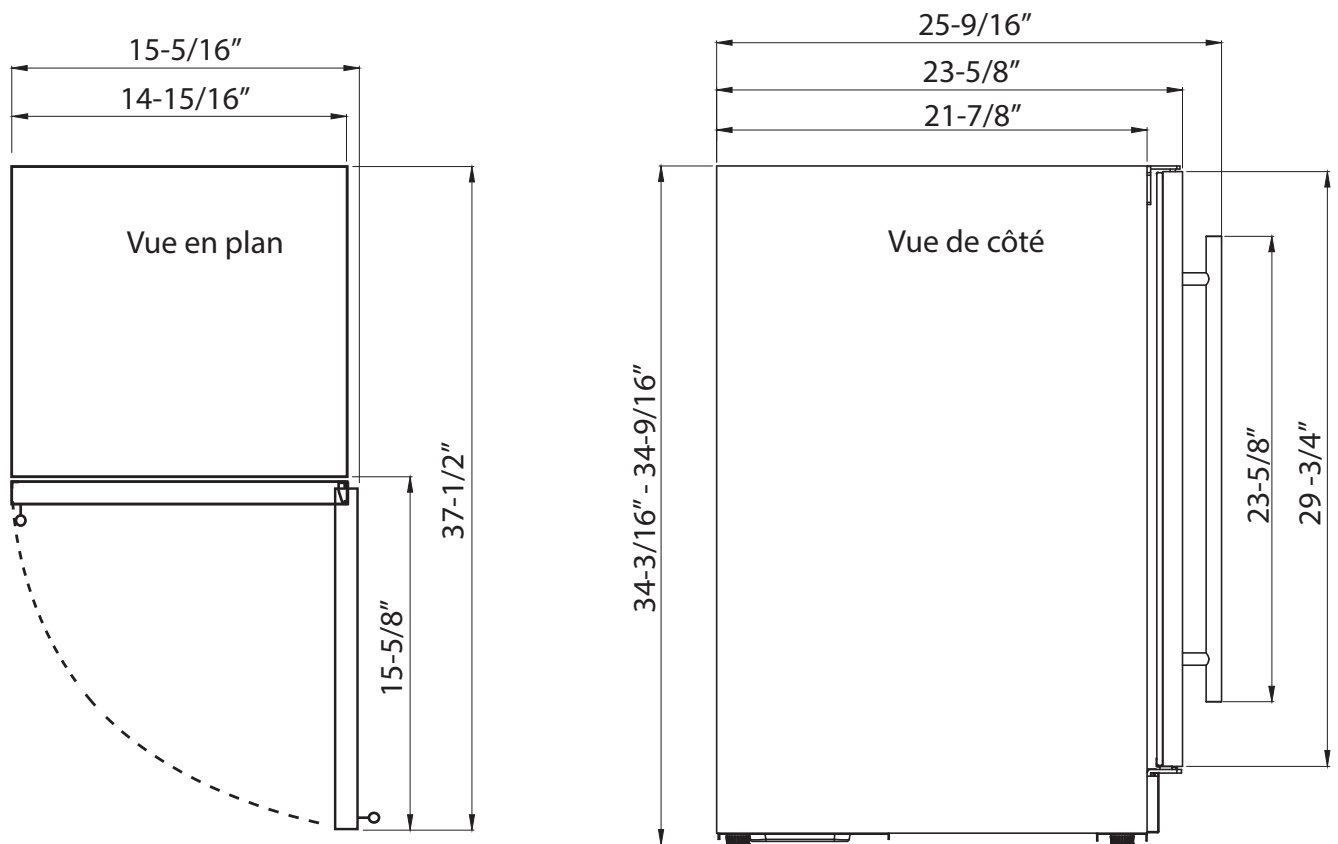
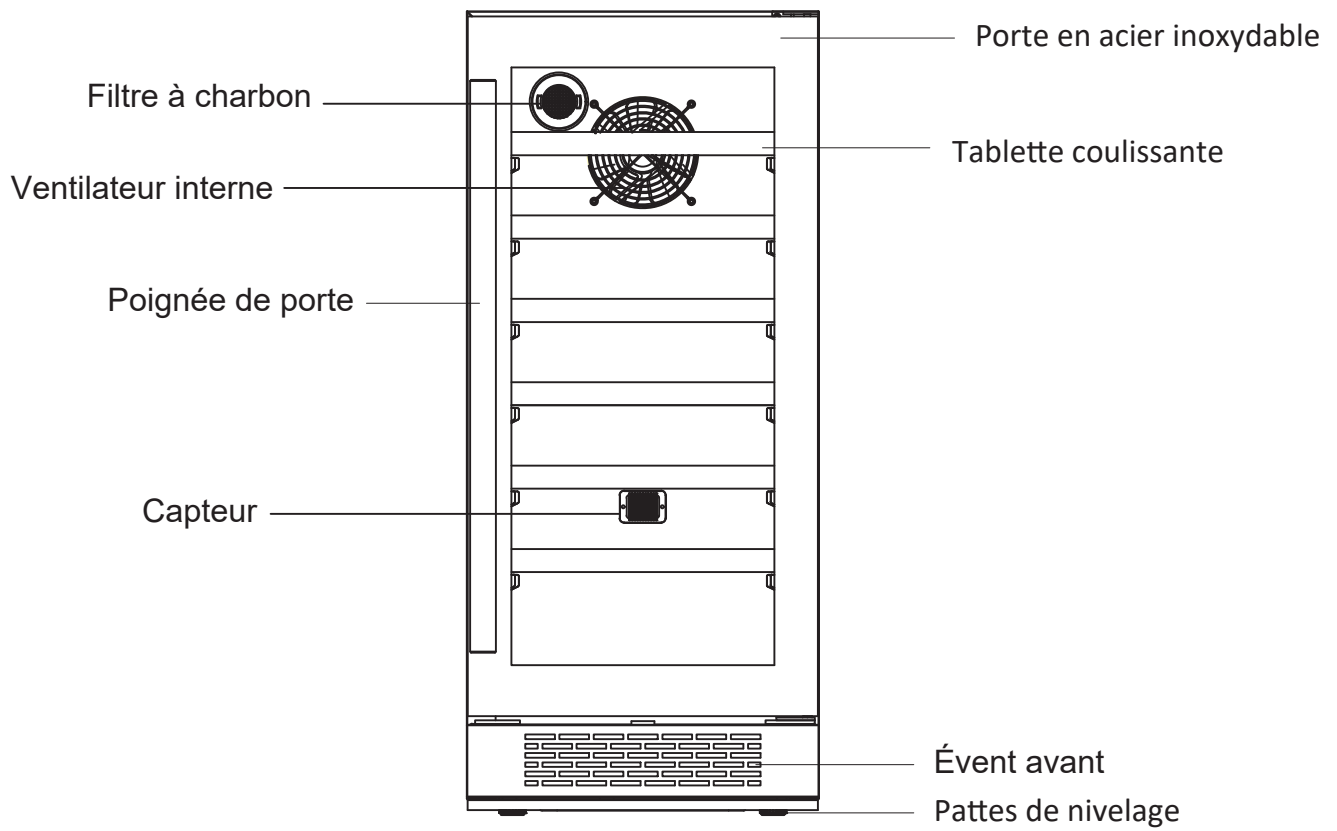
Numéro de série :

Date d'achat :

Pour que nous puissions vous offrir un service optimal, veuillez suivre les instructions suivantes lorsque vous communiquez avec le service à la clientèle de Zephyr :

- Si vous avez reçu un produit endommagé, communiquez immédiatement avec le marchand ou détaillant qui vous a vendu le produit.
- Lisez et suivez les instructions contenues dans le présent manuel pour bien installer et utiliser votre refroidisseur de boissons, et en effectuer l'entretien.
- Lisez la section sur le dépannage pour diagnostiquer et pour solutionner les problèmes les plus fréquents.
- Visitez-nous en ligne à <http://www.zephyronline.com> pour télécharger des guides sur nos produits, des ressources de dépannage supplémentaires et des informations actualisées.
- Si vous avez besoin de service couvert par la garantie, vous pouvez joindre nos sympathiques représentants du service à la clientèle par courriel à productsupport@zephyronline.com ou au téléphone au 888-880-8368.

Identification des pièces et dimensions



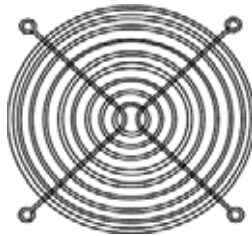
Filtre à charbon

Un filtre à charbon intégré protège vos boissons en agissant comme une barrière naturelle contre les mauvaises odeurs.



Ventilateur interne

Cet appareil aéroréfrigéré est équipé d'un ventilateur interne qui maintient l'environnement intérieur à une température constante.



Note : Vous devriez remplacer le filtre à charbon tous les trois à six mois, selon le niveau d'exposition de votre appareil aux mauvaises odeurs. Si vous installez l'appareil dans une cuisine, il est idéal de remplacer le filtre tous les trois mois.

No de pièce du filtre à charbon de remplacement : Z0F-C004



Astuce : Prenez note du numéro de modèle et du numéro de série se trouvant sur l'étiquette avant d'installer le refroidisseur de boissons.

Installation du refroidisseur de boissons

Le refroidisseur de boissons doit être installé en conformité avec les exigences du code de l'électricité local. Il doit également être installé à un endroit qui est assez solide pour soutenir son poids tout en gardant à l'esprit que l'appareil est beaucoup plus lourd lorsqu'il est plein que lorsqu'il est vide.

Avant de brancher le refroidisseur de boissons à l'alimentation électrique, assurez-vous de le laisser reposer dans une position verticale pendant au moins 24 heures pour permettre à l'huile du compresseur de se stabiliser.



Avertissement : Deux personnes ou plus sont requises pour déplacer et installer le refroidisseur de boissons. Le non-respect de cette recommandation peut entraîner une blessure au dos ou d'autres blessures. Enlevez délicatement le matériel d'emballage. Retirez le ruban et la colle du matériel d'emballage de votre refroidisseur de boissons avant de l'utiliser. N'utilisez pas d'instruments coupants, d'alcool à friction, de liquides inflammables ou de produits nettoyants abrasifs pour enlever les rubans et la colle. Ces produits peuvent endommager la superficie de votre refroidisseur de boissons.



Important : N'enlevez aucune étiquette comprenant des consignes de sécurité, des avertissements ou des renseignements sur le produit.

TYPES D'INSTALLATION :

Ce refroidisseur de boissons a été conçu pour une installation autonome ou encastrée. Dans tous les cas, l'appareil doit se trouver dans un endroit adéquatement aéré et facile d'accès pour des travaux d'entretien.

Installation autonome

Les instructions d'installation autonome vous permettent de placer le refroidisseur de boissons presque n'importe où. Vous devez suivre les exigences électriques et les instructions relatives au nivelage du refroidisseur de boissons.

Installation encastrée

Les instructions d'installation encastrée vous permettent de placer le refroidisseur de boissons sous un comptoir ou dans une armoire de cuisine. Assurez-vous de respecter les exigences relatives à l'espace libre requis autour de l'appareil. Un espace de ventilation adéquat est nécessaire autour de l'appareil (assurez-vous qu'il y a au moins de l'espace à l'arrière de l'appareil). Vous devez également suivre les règles suivantes :

1. Placez le refroidisseur de boissons face au lieu d'installation.
2. Ajustez les pattes et placez l'appareil de niveau sur le plancher ou sur une plate-forme, selon les exigences d'installation.
3. Si la prise de courant où vous comptez brancher le refroidisseur de boissons se trouve derrière l'armoire, branchez l'appareil.
4. Poussez le refroidisseur de boissons dans sa position définitive.

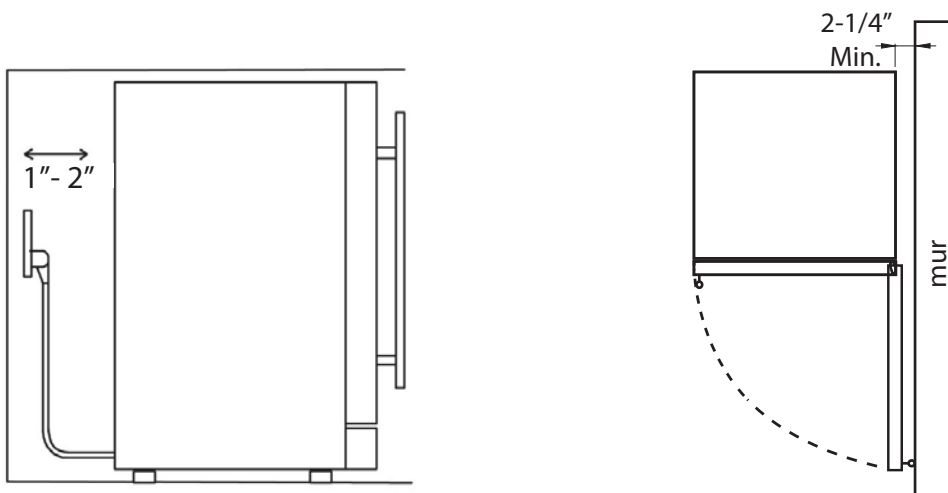


Avertissement : N'installez PAS le refroidisseur de boissons derrière une porte d'armoire close.

Exigences d'espace libre pour l'installation :

Lors de l'installation du refroidisseur de boissons sous un comptoir, veuillez respecter les espaces libres recommandés apparaissant ci-dessous.

- Pour assurer une ventilation adéquate et un accès facile pour la réalisation de travaux d'entretien, laissez un espace libre d'un ou deux pouces à l'arrière de l'appareil, comme illustré sur le diagramme.
- L'installation doit permettre de tirer facilement l'appareil vers l'avant pour procéder à des travaux d'entretien en cas de besoin.
- Une alimentation électrique standard (115 VCA seulement, 60 Hz) est requise avec une mise à la terre adéquate et en conformité avec le Code national de l'électricité ainsi qu'avec les codes et ordonnances locaux.
- Lors d'une installation dans un coin, un espace libre d'au moins 2-1/4 po est requis pour la poignée de l'appareil.



Important : Une fois que vous êtes prêt à installer l'appareil dans une armoire ou directement sur le plancher, ajustez les pattes pour niveler le refroidisseur de boissons.

NIVELAGE :

Le refroidisseur de boissons doit être installé sur une surface ferme et de niveau pouvant supporter le poids d'un appareil rempli au maximum de ses capacités. Il est important de niveler le refroidisseur de boissons pour assurer son bon fonctionnement. Vous pouvez lever ou baisser l'appareil en faisant tourner les gaines autour de chaque patte à la base de l'appareil. Si vous vous rendez compte que la surface n'est pas de niveau, faites tourner les pattes de l'appareil jusqu'à ce qu'il soit nivelé. Il se peut que vous ayez à procéder à plusieurs ajustements pour bien niveler l'appareil. Nous recommandons l'utilisation d'un niveau de menuisier pour vérifier le nivelage de l'appareil. Faites tourner les pattes de nivelage vers la droite pour baisser le côté de l'appareil où elles se trouvent. Faites tourner les pattes de nivelage vers la gauche pour lever le côté de l'appareil où elles se trouvent.

MÉTHODE DE MISE À LA TERRE RECOMMANDÉE :

Pour votre sécurité personnelle, cet appareil doit être mis à la terre. Il est muni d'un cordon d'alimentation à trois broches avec mise à la terre. Pour minimiser tout risque de décharge électrique, le câble doit être branché dans une prise de courant triphasée avec mise à la terre, en conformité avec le Code national de l'électricité ainsi qu'avec les codes et ordonnances locaux. Si aucune prise de courant murale adéquate n'est disponible, il est de la responsabilité personnelle du client de faire installer par un électricien qualifié une prise murale triphasée avec mise à la terre.



Risque de décharge électrique!

- ☒ Branchez l'appareil à une prise triphasée avec mise à la terre.
- ☒ N'enlevez jamais la borne de mise à la terre de la prise.
- ☒ N'utilisez jamais un adaptateur pour dévier la broche de mise à la terre.
- ☒ N'utilisez PAS une rallonge électrique.
- ☒ Le non-respect des présentes instructions peut entraîner un incendie, ou encore causer une décharge électrique ou une blessure.

Avant de placer le refroidisseur de boissons à son emplacement définitif, il est important que vous vous assuriez que la connexion électrique est adéquate. Une alimentation électrique standard (115 V, 60 Hz) est requise avec une mise à la terre adéquate et en conformité avec le Code national de l'électricité ainsi qu'avec les codes et ordonnances locaux. Il est recommandé d'utiliser un circuit dédié servant exclusivement à refroidisseur de boissons. Utilisez des prises qui ne peuvent pas être mises hors tensions par un interrupteur à bascule ou à tirage. Le fusible (ou disjoncteur) doit être de 15 ampères.

Installation de la poignée de la porte et des tablettes

INSTALLATION DE LA POIGNÉE DE LA PORTE :

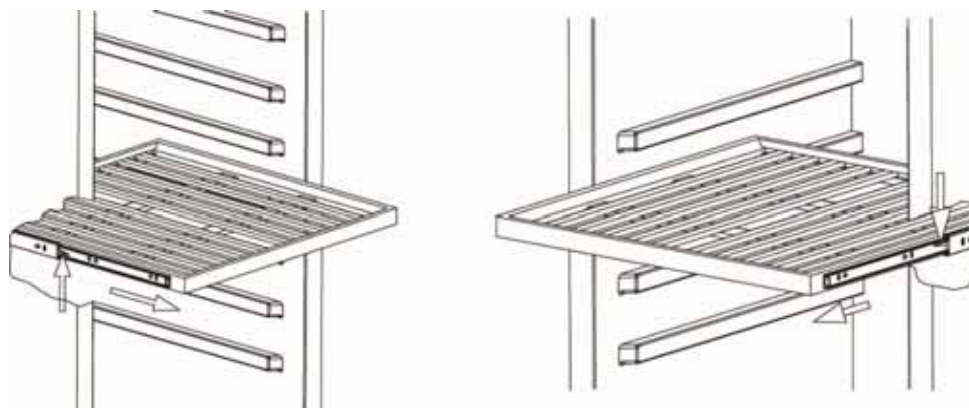
1. Ouvrez doucement la porte et enlevez le joint d'étanchéité entourant l'endroit où sera installée la poignée.
2. Du côté où se trouve le joint d'étanchéité, insérez les vis cruciformes jusqu'à ce qu'elles transpercent la porte.
3. Alignez la poignée aux vis et serrez les vis avec un tournevis cruciforme jusqu'à ce que la poignée s'appuie contre le bâti de la porte.
Attention : Pour éviter d'endommager la poignée ou la porte en acier inoxydable, ne serrez pas trop les vis.
4. Remettez doucement le joint d'étanchéité de la porte dans sa position originale.

INSTALLATION DES TABLETTES :

1. Ouvrez complètement la porte.
2. Poussez les glissières fixées aux parois intérieures vers le fond de l'appareil de façon à ce qu'elles reposent totalement à l'intérieur du refroidisseur.
3. Alignez les rails fixes de la tablette dans les glissières correspondantes du refroidisseur se trouvant à l'intérieur des parois de l'appareil.
4. Poussez doucement le devant de la tablette vers l'intérieur jusqu'à ce que la tablette repose totalement à l'intérieur de l'appareil et que vous puissiez fermer la porte.
5. La tablette devrait pour glisser facilement vers l'avant et vers l'arrière. Si ce n'est pas le cas, il est possible que vous deviez retirer la tablette et recommencer le processus.

RETRAIT DES TABLETTES :

1. Ouvrez complètement la porte.
2. Enlevez tout ce qui se trouve sur la tablette s'il y a lieu.
3. Tirez la tablette vers vous jusqu'à ce qu'elle atteigne la position d'extension maximale.
4. La tablette est munie de supports en plastique latéraux, comme indiqué sur le diagramme ci-dessous. Poussez le support en plastique du côté droit vers le bas tout en levant le support en plastique du côté gauche. Vous pouvez utiliser vos doigts ou un tournevis à tête plate.
5. Tirez de façon constante la tablette à l'extérieur des rails jusqu'à ce qu'elle sorte complètement du compartiment intérieur.



Astuce : Pour éviter d'endommager le joint d'étanchéité de la porte, assurez-vous d'ouvrir complètement la porte avant de retirer les tablettes de leurs rails.



Note : Le rendement du refroidisseur peut diminuer quelque peu si la circulation d'air est restreinte parce que l'appareil est rempli au maximum de ses capacités.

Permutation de l'ouverture de la porte

INVERSION DE LA PORTE :

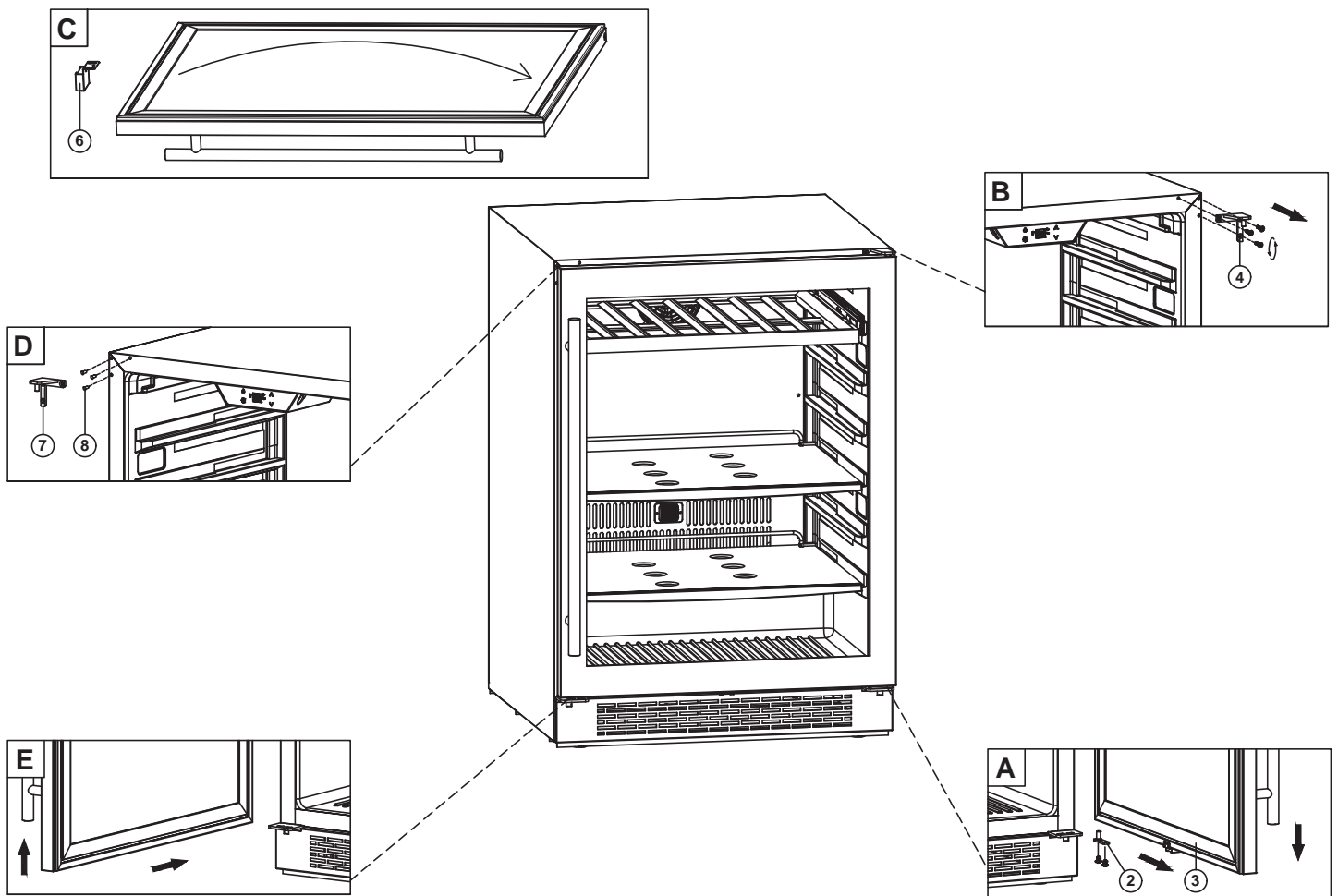
- A. Ouvrez la porte à un angle de 90 degrés, enlevez les deux vis de la charnière inférieure (2), puis retirez la porte (3) ainsi que la plaque de la charnière.
- B. Enlevez les trois vis de la charnière du coin supérieur droit (4).
- C. Dévissez les deux vis se trouvant à la base de la porte et retirez l'interrupteur Reed (6). Fixez ensuite l'interrupteur Reed à la partie supérieure du cadre de porte.
- D. Enlevez les plaques de recouvrement décoratives (8) se trouvant du côté supérieur gauche de l'appareil et fixez la nouvelle charnière supérieure (7) à la partie supérieure de l'appareil avec trois vis.
- E. Installez la porte une fois qu'elle est correctement alignée.



AVERTISSEMENT : Coupez l'alimentation électrique de l'appareil avant d'enlever les portes.



Note : Au moins deux personnes sont requises pour procéder à la permutation de l'ouverture de la porte.

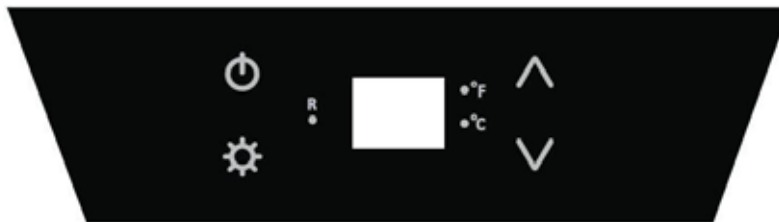


Fonctionnement

LISTE DE VÉRIFICATION AVANT L'INSTALLATION :

1. Est-ce que tout le matériel d'emballage et le ruban ont été retirés à l'extérieur et à l'intérieur du refroidisseur de boissons?
2. Est-ce que les instructions d'installation ont été suivies, y compris celles relatives au raccordement électrique de l'appareil?
3. Est-ce que la mise à la terre du refroidisseur de boissons a été bien effectuée?
4. Est-ce que l'appareil a été nivelé?
5. Le refroidisseur de boissons se trouve-t-il dans un endroit où la température ambiante varie entre 50 °F et 90 °F à longueur d'année?
6. Y a-t-il un espace libre d'au moins un ou deux pouces à l'arrière de l'appareil pour assurer une circulation d'air adéquate?

UTILISATION DU TABLEAU DE COMMANDE :



La température de ce refroidisseur de boissons peut être réglée entre 40 °F et 65 °F.



Touche de mise en marche

Tenez cette touche enfoncée pendant trois secondes pour allumer et éteindre l'appareil. Lorsque le compresseur de l'appareil est en marche, le témoin lumineux R peut s'allumer pour indiquer que cette fonction est active.



Augmentation de la température

Appuyez sur cette touche pour augmenter la température d'un degré. Le réglage de température le plus élevé de cet appareil est de 65 °F.



Réduction de la température

Appuyez sur cette touche pour réduire la température d'un degré. Le réglage de température le plus élevé de cet appareil est de 40 °F.



Éclairage intérieur

Appuyez sur cette touche pour parcourir les différents réglages d'éclairage intérieur. Il y a trois réglages de disponibles : ambré, blanc nuage et bleu foncé.

Ouvrez et fermez la porte pour confirmer le réglage de l'éclairage intérieur et vérifier si la lumière reste allumée lorsque la porte est fermée (mode vitrine) ou seulement lorsqu'elle est ouverte (mode automatique). Veuillez consulter la section « Éclairage intérieur » de la page suivante pour obtenir plus de détails.


Mode Shabbath

Cet appareil est muni d'un mode Shabbath. Le mode Shabbath désactive les fonctions programmées par l'utilisateur ainsi que toutes les fonctions extérieures, y compris l'éclairage, l'affichage et les alarmes sonores. L'appareil continue de maintenir la température intérieure et les valeurs des réglages.


Pour activer ou désactiver le mode Shabbath :


Appuyez simultanément sur la touche de mise en marche et deux fois sur la touche d'augmentation de la température pour activer ou désactiver le mode. L'éclairage intérieur et le tableau d'affichage resteront éteints jusqu'à ce que l'utilisateur désactive le mode Shabbath.


Note : Même si le tableau d'affichage n'est pas visible, les réglages de température demeurent actifs et la température intérieure est conservée. Le mode Shabbath demeure actif jusqu'à ce que l'utilisateur le désactive.


 Note : Pour faire passer l'affichage de la température de °F à °C, tenez les touches d'augmentation et de réduction de la température enfoncées en même temps.

 Astuce : Si vous éteignez l'appareil, attendez au moins cinq minutes avant de le rallumer.

 Avertissement : Laissez fonctionner votre refroidisseur de boissons pendant au moins 24 heures avant d'y entreposer vos boissons pour que l'appareil ait le temps d'atteindre la température désirée. La capacité de votre refroidisseur de boissons d'atteindre la température programmée dépend des conditions environnementales ambiantes.

 Note : Si une porte est laissée entrouverte pendant trois minutes ou plus, une alarme sonore se fera entendre jusqu'à ce que la porte soit fermée.

 Note: Le refroidisseur de boisson est équipé d'une fonction de mémorisation de température. Si le pouvoir est soudainement perdu, la température précédemment réglée sera sauvegardée et le réfrigérateur reviendra à ce réglage une fois que est restauré.

 Note: Si la température intérieure est supérieure à 23 ° C (73 ° F), «HI» apparaît sur le panneau d'affichage et le l'avertisseur sonore retentit continuellement après une heure. Cela indique que la température interne est trop haut, et vous devriez chercher la raison. Si la température intérieure est inférieure à 0 ° C (32 ° F), «LO» est indiqué sur le panneau d'affichage; l'alarme et le témoin de dysfonctionnement s'allument en même temps.

Éclairage intérieur

Le refroidisseur est équipé de lampes intérieures latérales à trois réglages de couleur : ambré, blanc nuage ou bleu foncé. Puisque l'appareil est vendu avec une porte en verre, l'intérieur est visible, que la porte soit ouverte ou fermée. Vous pouvez choisir de régler l'éclairage dans l'un des deux modes différents : mode vitrine ou mode automatique.


Mode vitrine


L'intérieur est constamment illuminé, que la porte soit ouverte ou fermée.

Mode automatique

L'intérieur s'illumine chaque fois que la porte est ouverte et s'éteint en s'estompant lorsque la porte est fermée. Cette fonction est activée par un capteur situé dans l'évent avant. Ce capteur permet au refroidisseur de détecter si la porte est ouverte ou fermée.

Pour passer du mode vitrine au mode automatique, tenez la touche d'éclairage enfoncée pendant trois secondes.

 Note : Nous testons tous les appareils que nous fabriquons dans notre usine. Pour cette raison, il est possible que votre modèle ait par défaut l'un ou l'autre des réglages lorsque vous l'utilisez pour la première fois. Parcourez simplement les réglages disponibles jusqu'à ce que l'éclairage corresponde à ce que vous désirez.

 Astuce : Fermez la porte pour voir si l'éclairage est en mode vitrine ou automatique. En mode vitrine, l'éclairage reste allumé, alors qu'en mode automatique, l'éclairage s'estompe lorsque la porte se referme.

Dégivrage

Veillez noter que l'appareil se décongèle automatiquement dans la plupart des conditions ambiantes. Toutefois, dans des environnements plus froids, il est possible que du givre s'accumule. Aussi, plus les conditions ambiantes sont humides, plus il est possible que du givre s'accumule. Dans la mesure du possible, gardez la porte fermée et évitez de l'ouvrir inutilement pour minimiser l'accumulation de givre. Si le givre empêche la porte de se refermer adéquatement, il est possible que vous ayez à éteindre l'appareil jusqu'à ce que le givre soit complètement fondu. Utilisez un chiffon absorbant pour sécher l'appareil.



Avertissement : Ne tentez jamais d'enlever le givre avec un objet coupant.

Bruits normaux

Votre refroidisseur de boissons peut émettre des bruits auxquels vous n'êtes pas habitués. La plupart des bruits sont normaux. Les surfaces dures comme les planchers ou les murs peuvent donner l'impression que les bruits sont plus forts qu'ils le sont en réalité. Veuillez trouver ci-dessous une liste de bruits auxquels vous n'êtes pas habitués ainsi que leur source.

- La circulation de liquide réfrigérant ou d'eau peut produire des cliquetis.
- Les éléments entreposés sur le refroidisseur de boissons peuvent également faire du bruit.
- Le compresseur à haut rendement peut émettre des vibrations ou un son aigu.
- Le ventilateur interne se met régulièrement en marche, veillant à ce que la température soit constante à l'intérieur de l'appareil.
- L'écoulement de l'eau entre l'évaporateur et le réservoir peut produire des bruits d'éclaboussure.
- À la fin de chaque cycle, le mouvement du liquide réfrigérant dans votre refroidisseur de boissons peut émettre des gargouillis.
- Il est possible que vous entendiez le ventilateur pousser l'air dans le condensateur.

Nettoyage et entretien

Le nettoyage périodique et l'entretien adéquat de l'appareil assurent son efficacité, son rendement optimal et sa longévité.

NETTOYAGE INTÉRIEUR :

1. Débranchez l'appareil.
2. Ouvrez la porte, puis enlevez le contenu et les tablettes.
3. Attendez que l'appareil soit complètement dégivré.
4. Avec un chiffon propre, essuyez l'intérieur de l'appareil.
5. Réinsérez les tablettes et les boissons.
6. Rebranchez l'appareil.

NETTOYAGE EXTÉRIEUR :

Vous pouvez nettoyer la porte et le bâti avec un détergent doux et une solution contenant deux cuillères à table de bicarbonate de soude pour chaque pinte d'eau tiède. N'utilisez pas de produits nettoyants abrasifs ou à base de solvant. Utilisez une éponge douce et rincez avec de l'eau propre. Essuyez avec un chiffon doux propre pour prévenir les taches d'eau. Si le panneau de la porte est fait d'acier inoxydable, il peut se décolorer lors d'une exposition à du chlore gazeux et à l'humidité. Nettoyez l'acier inoxydable avec un chiffon humide ainsi qu'une solution d'eau chaude et de détergent doux. N'utilisez jamais de produits nettoyants abrasifs ou corrosifs.

Préparation du refroidisseur de boissons pour entreposage

Si vous ne comptez pas utiliser le refroidisseur de boissons pendant une longue période ou si vous devez le déplacer, vous devez d'abord procéder au dégivrage de l'appareil et en sécher l'intérieur.

1. Débranchez le câble d'alimentation électrique du refroidisseur de la prise murale.
2. Laissez la porte ouverte pour permettre la circulation de l'air et prévenir la formation de moisissure et de mauvaises odeurs.
3. Une fois que l'intérieur est sec et propre, vous pouvez entreposer l'appareil.



Attention : Entreposez l'appareil hors de la portée des enfants. Si vous avez des enfants, vous pouvez prendre une mesure de précaution supplémentaire en enlevant la porte et ainsi éviter que l'un d'eux reste emprisonné dans le refroidisseur.



Important : NE touchez PAS le cordon d'alimentation si vos mains sont mouillées. Ne débranchez JAMAIS l'appareil en tirant sur le cordon.

Dépannage

PROBLÈME	CAUSE POTENTIELLE	SOLUTION
Le refroidisseur de boissons s'allume et s'éteint fréquemment.	La température de la pièce est plus élevée que la température ambiante recommandée.	Installez le refroidisseur à un endroit où la température ambiante est appropriée.
	La porte est souvent ouverte.	Minimisez le nombre de fois où vous ouvrez la porte.
	La porte n'est pas complètement fermée.	Assurez-vous que la porte est complètement fermée.
	Le joint d'étanchéité de la porte n'est pas bien scellé.	Assurez-vous que le joint d'étanchéité de la porte est bien scellé.
	La ventilation autour du refroidisseur ne respecte pas les recommandations.	Lisez et suivez les instructions de la section « Exigences d'espace libre pour l'installation ».
Le refroidisseur de boissons ne s'allume pas.	Il y a une panne d'électricité.	Assurez-vous que le refroidisseur est branché et que la prise de courant est raccordée à la source d'alimentation électrique.
	Le refroidisseur n'est pas branché.	Branchez l'appareil dans une prise de courant dont l'intensité est suffisante.
	Le fusible ou le disjoncteur a sauté.	Remplacez le fusible dans le coffret de fusibles ou enclenchez le disjoncteur.
	Le mode Shabbath est peut-être actif.	Consultez la section « Fonctionnement » et assurez-vous que le mode Shabbath est désactivé.d.

PROBLÈME	CAUSE POTENTIELLE	SOLUTION
Le refroidisseur de boissons n'atteint pas la température désirée.	La circulation d'air dans le refroidisseur est restreinte parce que l'appareil est trop chargé.	Libérez de l'espace dans l'appareil pour permettre à l'air de circuler.
	Le refroidisseur se trouve trop près d'une source de chaleur.	Gardez le refroidisseur à l'abri de la lumière solaire directe ou d'autres sources de chaleur.
	La ventilation autour du refroidisseur n'est pas suffisante.	Lisez et suivez les instructions de la section « Exigences d'espace libre pour l'installation ».
	La porte est ouverte trop souvent ou pendant de trop longues périodes.	Fermez bien la porte et ne la laissez pas ouverte pendant de trop longues périodes.
Le refroidisseur de boissons fait des bruits étranges.	Certains bruits sont normaux.	Lisez la section « Bruits normaux ».
	L'appareil n'est pas nivelé ou est en contact avec un autre électroménager.	Assurez-vous que le refroidisseur est de niveau et qu'il n'est pas en contact avec un autre électroménager ou avec un meuble.
Le bâti du refroidisseur de boissons est électrifié.	L'appareil n'est pas bien mis à la terre.	Communiquez avec votre électricien pour tester le système électrique de mise à la terre.
Du givre se forme dans le refroidisseur de boissons.	L'environnement est humide.	Bien que l'appareil utilise un système de dégivrage automatique, il peut être nécessaire de procéder au dégivrage manuel dans certaines conditions. Si le givre s'accumule, vous pouvez essayer de régler votre refroidisseur à une température plus chaude, minimiser le nombre de fois où vous ouvrez la porte, ou débrancher l'appareil pour faire fondre le givre.
	La température ambiante est trop basse.	
	La porte est ouverte trop souvent.	
La porte ne se ferme pas bien.	Le refroidisseur n'est pas de niveau.	Assurez-vous que le refroidisseur se trouve sur une surface nivelée.
	Le joint d'étanchéité est sale.	Nettoyez le joint d'étanchéité de la porte.
	Le joint d'étanchéité de la porte n'est pas bien installé.	Assurez-vous que le joint d'étanchéité de la porte est bien installé.
	Les tablettes ne sont pas bien installées.	Installez les tablettes adéquatement.

Spécifications

DESCRIPTION DU PRODUIT	Refroidisseur de vin encastré monozone
MODÈLE	PRW15C01AG
TENSION/FRÉQUENCE	115 VCA/60 Hz
INTENSITÉ DE COURANT	1.5 A
PUISSANCE D'ENTRÉE	120 W
COULEUR	Boîtier noir avec porte en acier inoxydable
CAPACITÉ D'ENTREPOSAGE	27 bouteilles*
RÉFRIGÉRANT	R600a, 1.06 oz.
PLAGE DE TEMPÉRATURES	40 °F à 65 °F
DIMENSIONS (HAUTEUR X LARGEUR X PROFONDEUR)	34-3/16 po X 14-15/16 po X 23-5/8 po
POIDS	93 livres
POIGNÉE PRO OPTIONNELLE	PRHAN-C001
FILTRE À CHARBON DE REMPLACEMENT	ZOF-C004

*La capacité d'entreposage se fonde sur des bouteilles de vin de 750 ml de style Bordeaux.



Note : Les données techniques et les renseignements sur le rendement ne sont fournis qu'à des fins de référence. Les spécifications sont sujettes à changement. Consultez la plaque signalétique du refroidisseur de vin pour obtenir des renseignements plus précis.

ZEPHYR

Garantie limitée

Zephyr Ventilation, LLC (appelé aux présentes « nous ») garantit au premier acheteur (appelé aux présentes « vous ») des produits Zephyr (les « produits ») que ces produits sont exempts de défauts de matériau et de fabrication, comme suit :

Garantie limitée de cinq ans sur le compresseur : Pour une période de cinq ans à partir de la date d'achat originale des produits, nous fournirons sans frais les pièces de remplacement du compresseur qui ont cessé de fonctionner en raison d'un défaut de fabrication, sous réserve des exclusions et limites énumérées ci-dessous. Nous pouvons choisir, à notre discrétion exclusive, de réparer ou de remplacer les pièces avant de décider de remplacer les produits.

Garantie limitée de deux ans sur les pièces : Pour une période de deux ans à partir de la date d'achat originale des produits, nous fournirons sans frais les produits ou les pièces de remplacement (hormis les ampoules DEL, s'il y a lieu) qui ont cessé de fonctionner en raison d'un défaut de fabrication, sous réserve des exclusions et limites énumérées ci-dessous. Nous pouvons choisir, à notre discrétion exclusive, de réparer ou de remplacer les pièces avant de décider de remplacer les produits.

Garantie limitée d'un an sur la main-d'œuvre : Pour une période d'un an à partir de la date d'achat originale des produits, nous fournirons sans frais la main-d'œuvre requise pour procéder à la réparation des produits ou des pièces qui ont cessé de fonctionner en raison d'un défaut de fabrication, sous réserve des exclusions et limites énumérées ci-dessous. Un an après la date d'achat original, vous êtes responsable de tous les frais de main-d'œuvre associés à la présente garantie.

Pour obtenir du service en vertu de la garantie limitée : Pour être admissible au service de garantie, vous devez (a) nous aviser à l'adresse ou au numéro de téléphone se trouvant ci-dessous dans les soixante jours qui suivent la découverte du défaut; (b) nous fournir le numéro de modèle et le numéro de série; (c) décrire la nature de tout défaut du produit ou de la pièce. Au moment de présenter la demande de service de garantie, vous devez fournir une preuve d'achat ainsi qu'une preuve de la date d'achat originale. Si nous déterminons que l'une ou l'autre des exclusions de garantie énumérées ci-dessus s'applique à votre cas ou si vous ne nous fournissez pas les documents nécessaires pour obtenir du service, vous serez responsable de tous les frais associés à l'expédition, au déplacement et à la main-d'œuvre, ainsi que tous les autres frais liés aux services obtenus. La présente garantie ne se prolonge pas et ne recommence pas lors d'une réparation ou d'un remplacement couvert par la garantie.

Exclusions de la garantie : Cette garantie ne couvre que la réparation ou le remplacement, à notre discrétion, des pièces ou produits défectueux. Elle ne couvre aucun autre coût lié aux produits, y compris, sans s'y limiter, ce qui suit : (a) services d'entretien et de réparation normaux requis pour les produits et les pièces non durables, comme des filtres, des ampoules et des fusibles; (b) dommage à un produit ou à une pièce qui a été endommagé lors de l'expédition ou en raison d'un mauvais usage, de négligence, d'un accident, d'une installation fautive ou contraire aux instructions, de travaux d'entretien inadéquats ou d'une réparation inadéquate (autre que par nous); (c) utilisation commerciale ou gouvernementale des produits, utilisation allant à l'encontre de l'usage prévu; (d) usure naturelle du fini ou usure causée par un entretien inadéquat, utilisation de produits nettoyants abrasifs ou corrosifs, de tampons nettoyeurs et de produits à nettoyer les fours; (e) éclats, bosselures ou craquelures causés par une mauvaise utilisation des produits; déplacements à votre domicile pour vous montrer comment utiliser les produits; dommages aux produits causés par un accident, un incendie, une inondation, une catastrophe naturelle; (h) installation personnalisée ou modification ayant une incidence sur l'état de fonctionnement des produits; (i) dommages à des biens personnels ou altération d'aliments en raison de l'utilisation des produits. Si vous vous trouvez à l'extérieur de la région que nous desservons, des coûts supplémentaires pourraient s'appliquer à l'expédition de pièces pour une réparation sous garantie à l'un de nos points de service désignés et au déplacement d'un technicien de service à votre domicile pour réparer, désinstaller ou réinstaller les produits. Un an après la date d'achat original, vous êtes également responsable de tous les frais de main-d'œuvre associés à la présente garantie. Tous les produits doivent être installés par un installateur professionnel qualifié pour pouvoir recevoir des services d'entretien ou de réparation sous garantie.

Limites de la garantie : NOTRE OBLIGATION DE RÉPARER OU DE REMPLACER LES PRODUITS, À NOTRE DISCRÉTION, CONSTITUE VOTRE RECOURS UNIQUE ET EXCLUSIF EN VERTU DE LA PRÉSENTE GARANTIE. NOUS NE POURRONS EN AUCUN CAS ÊTRE TENUS RESPONSABLES DE TOUT DOMMAGE INDIRECT, CONSÉCUTIF OU PARTICULIER ATTRIBUABLE OU LIÉ À L'UTILISATION OU AU RENDMENT DES PRODUITS. LES GARANTIES EXPRESSES DE LA SECTION ANTÉRIEURE SONT EXCLUSIVES ET REMPLACENT TOUTES LES AUTRES GARANTIES EXPRESSES. NOUS REJETONS ET EXCLUONS AUX PRÉSENTES TOUTES LES AUTRES GARANTIES EXPRESSES COUVRANT LES PRODUITS AINSI QU'ETOUTES LES GARANTIES IMPLICITES EN VERTU DE LA LOI, Y COMPRIS CELLES RELATIVES À LA QUALITÉ MARCHANDE ET À L'ADÉQUATION À UN USAGE PARTICULIER. Dans les états ou provinces ne permettant pas une limite de la durée d'une garantie implicite, ou une exclusion ou limite des dommages indirects ou consécutifs, les limites et exclusions mentionnées ci-dessus ne s'appliquent pas. Dans la mesure où les lois en vigueur interdisent l'exclusion de garanties implicites, la durée de toute garantie implicite pertinente se limite aux mêmes périodes d'un an et de deux ans décrites ci-dessus, si les lois en vigueur le permettent. Toute description orale ou écrite des produits ne sert qu'à identifier les produits et ne peut être considérée comme une garantie expresse. Avant d'utiliser, de mettre en marche ou de permettre l'utilisation des produits, vous devez déterminer la pertinence des produits pour leur usage prévu, et vous devez assumer tous les risques et toutes les responsabilités liés d'une manière ou d'une autre à cette décision. Nous nous réservons le droit d'utiliser des pièces ou produits réparés ou remis en état dont le fonctionnement est équivalent aux pièces originales lorsque nous effectuons un remplacement ou une réparation sous la garantie. Le premier acheteur ne peut transférer cette garantie, qui n'est valide que dans le domicile du consommateur où le produit a été installé à l'origine, aux États-Unis ou au Canada. Cette garantie ne peut être transférée à un revendeur.

Veuillez consulter notre site Web pour obtenir de plus amples renseignements sur nos produits à www.zephyronline.com.

Zephyr Ventilation Service Department, 2277 Harbor Bay Parkway, Alameda, CA 94502 1-888-880-8368