

POWER

CYCLONE

UNDER-CABINET

Modern, clean lines provide a perfect complement to any interior, while centrifugal blowers liquefy cooking residue without complex filters to make clean up a snap. Available in black, white and stainless steel finishes.

ZEPHYR

ZEPHYRONLINE.COM



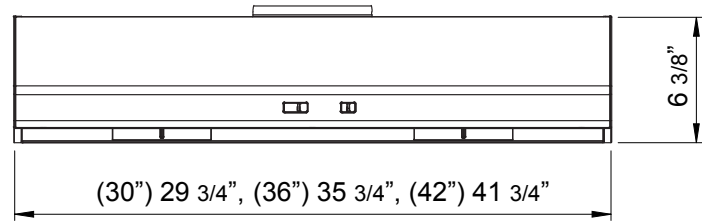
Stainless Steel



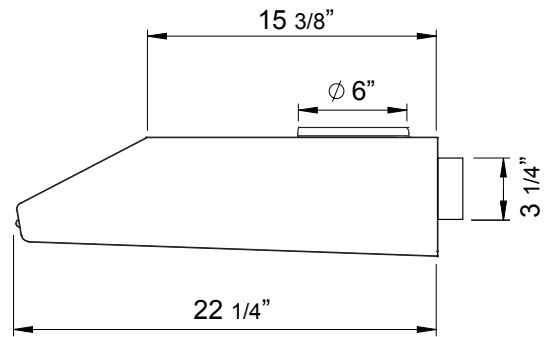
Black



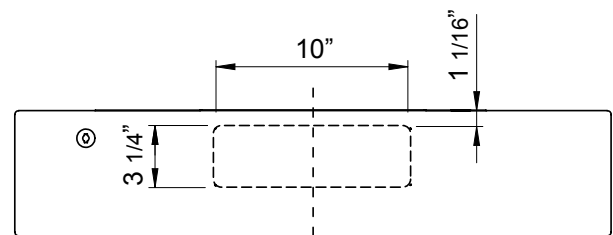
White



Front



Side



C/L

Back

MODEL	AK6500BB	AK6536BB	
Black	AK6500BW	AK6536BW	
White	AK6500BS	AK6536BS	AK6542BS
Stainless Steel			
Size	30" (29-3/4")	36" (35-3/4")	42" (41-3/4")
Blower CFM (Min. - Max.)	290 - 600	290 - 600	290 - 600
Sones (Min. - Max.)	1.5 - 5	1.5 - 5	1.5 - 5
FEATURES			
Controls	Mechanical Slide	Mechanical Slide	Mechanical Slide
Speed Levels	3	3	3
Auto Delay-Off	No	No	No
Lighting	Halogen, 35W x2	Halogen, 35W x2	Halogen, 35W x2
Dual Level Lighting	Yes	Yes	Yes
Removable Safety Grilles	2	2	2
Recirculating Option	No	No	No
Self Cleaning	Yes	Yes	Yes
DUCT SPECIFICATIONS			
Vertical Internal Blower	6" Round or 3-1/4" x 10"	6" Round or 3-1/4" x 10"	6" Round or 3-1/4" x 10"
Horizontal Internal Blower	3-1/4" x 10"	3-1/4" x 10"	3-1/4" x 10"
AC POWER	120V, 60Hz at Max. 2.4A	120V, 60Hz at Max. 2.4A	120V, 60Hz at Max. 2.4A
OPTIONAL ACCESSORIES			
Make-Up Air Kit	MUA006A	MUA006A	MUA006A
MOUNTING HEIGHT RANGE*	24" - 32"	24" - 32"	24" - 32"
WARRANTY	10 years parts, 1 year labor	10 years parts, 1 year labor	10 years parts, 1 year labor

*Mounting height refers to distance between top of a 36" tall cooking surface and bottom of hood.

UNIVERSAL MAKE-UP AIR DAMPER

When range hoods exhaust air out of your home, negative air pressure is created unless the exhausted air is replaced by fresh outdoor air. Zephyr's Universal Make-Up Air Damper is designed to balance the air pressure in your home by automatically opening to allow fresh air in while the range hood is operating.

For use with any Zephyr hood operating over 300 CFM.

MODEL	DAMPER SIZE	CFM LEVEL <i>of range hood motor</i>
MUA006A	6" round	up to 600 CFM
MUA008A	8" round	up to 1,000 CFM
MUA010A	10" round	up to 1,200 CFM

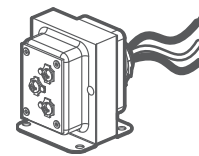
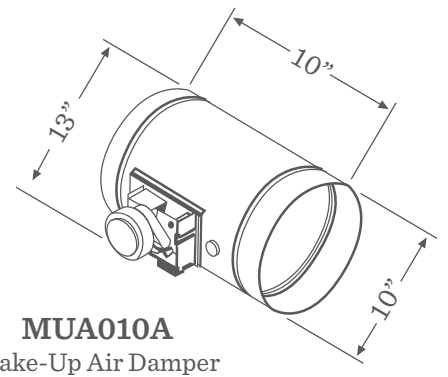
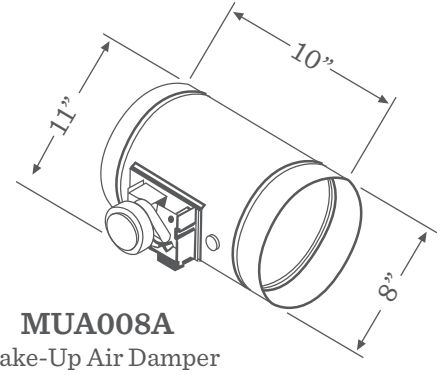
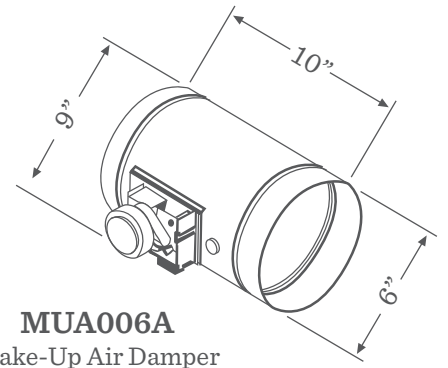
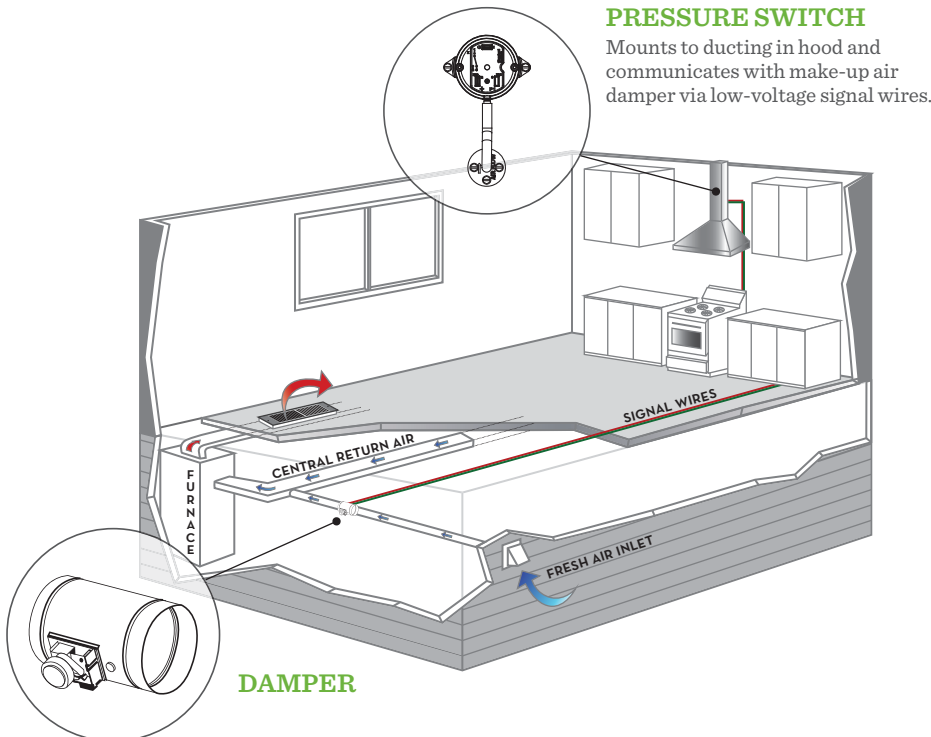
FEATURES

- 24 VAC, 60 Hz AC motor
- Meets International Residential Code M1503.4
- Automatically opens when range hood is operating
- Automatically closes when range hood is off
- 24-gauge galvanized steel construction
- Adjustment screw to adjust damper opening

OPTIONAL ACCESSORIES

- AK00030 Fresh air inlet cap with screen, 6" round
- AK00032 Fresh air inlet cap with screen, 8" round
- AK00052 Fresh air inlet cap with screen, 10" round

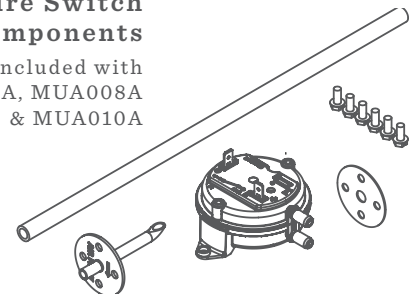
Typical Installation



Transformer
Installs next to damper.
Included with MUA006A, MUA008A & MUA010A

Pressure Switch Components

Included with MUA006A, MUA008A & MUA010A



BACK DRAFT DAMPER

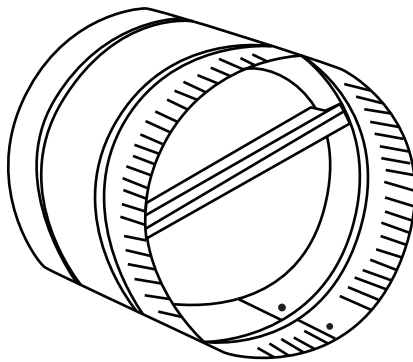
ROUND DAMPER TO PREVENT RETURN-AIR FROM ENTERING KITCHEN

MODEL	DUCT		DIMENSIONS			
	SIZE	A	B	C	D	E
AK00029	6"	6"	6"	2-7/8"	2-7/8"	1/4"
AK00049	7"	7"	7"	3-1/4"	3-1/4"	1/2"
AK00069	8"	8"	8"	3-5/8"	3-5/8"	3/4"

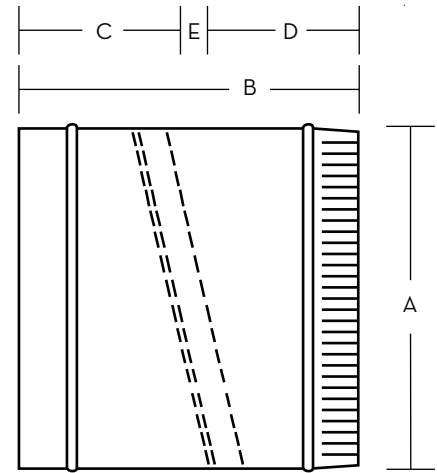


FEATURES

- Vertical Duct Application
- Galvanized (G-90)
- Foam Seal for Damper Closure
- NOT FOR USE WITH DRYER VENT APPLICATIONS



3/4 View

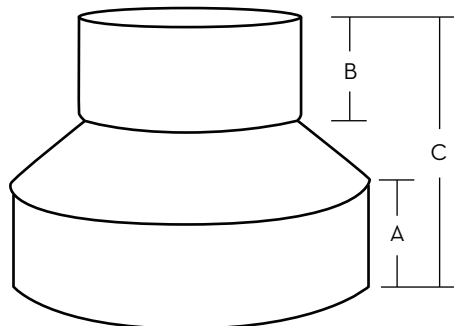


Side View

TAPERED REDUCER

REDUCES ROUND DUCT SIZE

MODEL	DUCT		DIMENSIONS	
	SIZE	A	B	C
AK00039	7x6"	1-3/4"	1-3/4"	5"
AK00037	8x6"	1-3/4"	1-3/4"	4-3/4"
AK00035	8x7"	1-3/4"	1-3/4"	4-1/4"
AK00040	10x8"	1-3/4"	1-3/4"	5"



Side View



FEATURES

- Tapered for Best Air Flow
- Galvanized (G-90)

ROOF CAP EXHAUST, J-VENT

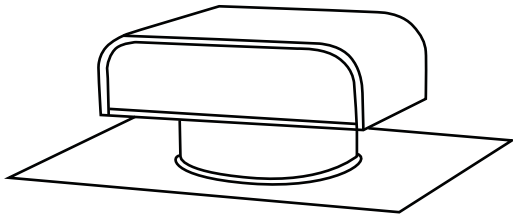
EXHAUST CAP FOR ROUND DUCTING, INSTALLS ON ROOF

MODEL	DUCT SIZE			DIMENSIONS						
	A	B	C	D	E	F	G	H	I	
AK00046	6"	12"	6"	3"	15"	10"	5-1/8"	3-1/4"	1-7/8"	3-1/4"
AK00047	7"	12"	7"	2-1/2"	15"	11"	5-1/8"	3-1/4"	1-7/8"	3-1/4"
AK00048	8"	15"	8"	3-1/2"	15"	12"	5-1/2"	3-1/2"	2"	3-1/4"
AK00050	10"	15"	10"	2-1/2"	20"	16"	6-1/2"	4-1/4"	2-1/4"	3-1/2"

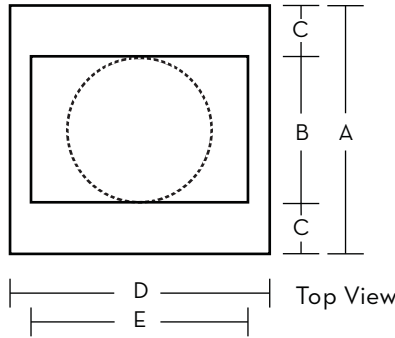


FEATURES

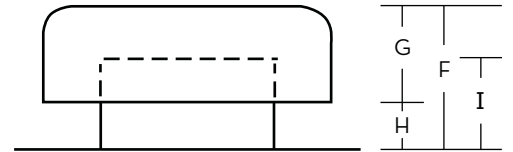
- Low Profile
- Install of Any Roof Pitch
- Mesh Bird Screen
- Galvanized (G-90)



3/4 View



Top View



Side View

WALL CAP EXHAUST, 3-1/4"x10" RECTANGULAR

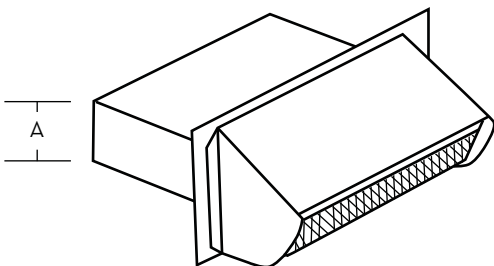
EXHAUST CAP FOR RECTANGULAR DUCTING, PREVENTS RETURN-AIR, INSTALLS ON EXTERIOR WALL

MODEL	DIMENSIONS						
	A	B	C	D	E	F	G
AK00041	3-1/4"	10"	5-5/8"	11"	5"	12-3/4"	9-1/2"

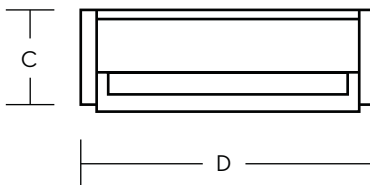


FEATURES

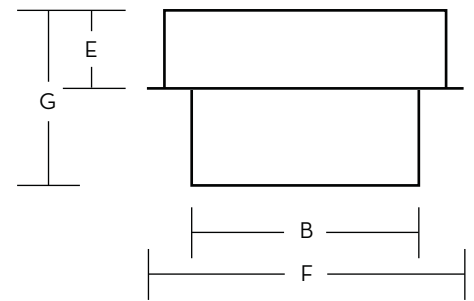
- Aluminum Damper Included
- Mesh Bird Screen
- Rain Proof
- Galvanized (G-90)
- NOT FOR USE WITH INLET VENT APPLICATIONS



3/4 View



Front View



Top View

WALL CAP EXHAUST, ROUND

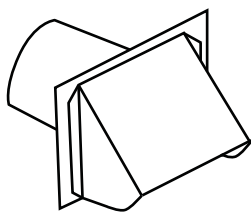
EXHAUST CAP FOR ROUND DUCTING, PREVENTS RETURN-AIR, INSTALLS ON EXTERIOR WALL

MODEL	DUCT			DIMENSIONS					
	SIZE	A	B	C	D	E	F	G	H
AK00042	6"	6"	7-5/8"	8"	1"	8-1/2"	9"	8-5/8"	7-1/8"
AK00043	7"	7"	8-5/8"	9-5/8"	1"	8-1/2"	10-3/4"	9-5/8"	8-1/8"
AK00044	8"	8"	10"	11-5/8"	1-3/4"	8-1/2"	10-3/8"	11-1/8"	10-3/8"
AK00045	10"	10"	12"	13"	1-3/4"	8-1/2"	11-1/2"	13-5/8"	13-7/8"

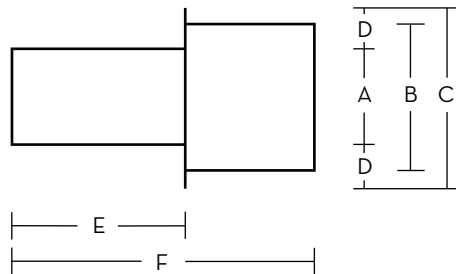


FEATURES

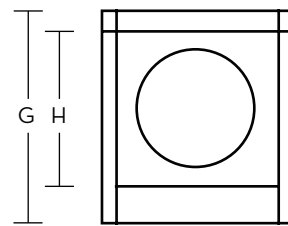
- Aluminum Damper Included
- Rain Proof
- Mesh Bird Screen
- Galvanized (G-90)



3/4 View



Top View



Back View

WALL CAP INLET, ROUND

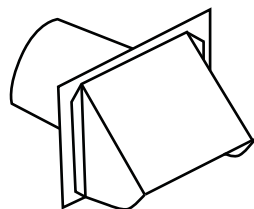
FRESH AIR INLET FOR ROUND DUCTING, COMMONLY USED WITH MAKE-UP AIR KITS

MODEL	DUCT			DIMENSIONS					
	SIZE	A	B	C	D	E	F	G	H
AK00030	6"	6"	7-5/8"	8"	1"	8-1/2"	9"	8-5/8"	7-1/8"
AK00031	7"	7"	8-5/8"	9-5/8"	1"	8-1/2"	10-3/4"	9-5/8"	8-1/8"
AK00032	8"	8"	10"	11-5/8"	1-3/4"	8-1/2"	10-3/8"	11-1/8"	10-3/8"

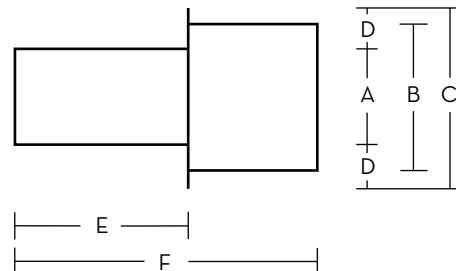


FEATURES

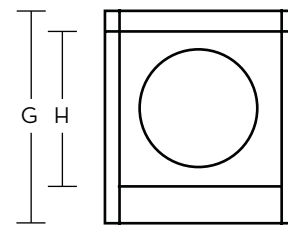
- Mesh Bird Screen
- Galvanized (G-90)
- Rain Proof



3/4 View



Top View



Back View