

Designed with professional-grade performance and seamless contours, the wall-mount Tempest II gives you serious cooking power, with 650-CFM or 1,200-CFM blower options. Equipped with dishwasher-safe, high-airflow

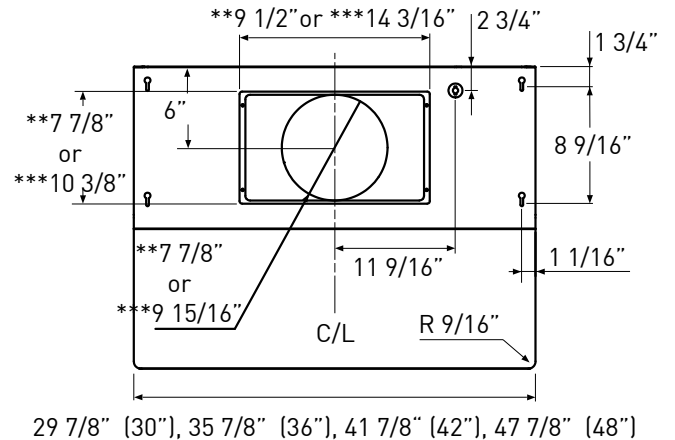
pro baffle filters, an optional wireless remote control, 6-speeds, and dual-level halogen lighting, it's everything the demanding cook could ask for.

ACT™

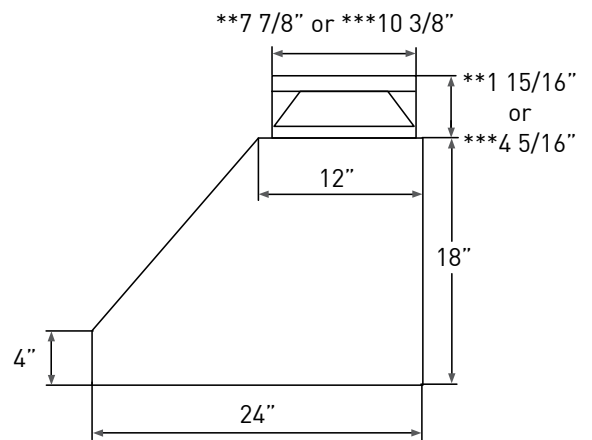
	INTERNAL BLOWER STANDARD	INTERNAL BLOWER with ACT™ AIRFLOW CONTROL TECHNOLOGY™*	
		200 - 390	200 - 290
Single Blower (Included) Min. - Max. CFM	200 - 650	200 - 390	200 - 290
Single Blower (Included) Min. - Max. Sones	1 - 6	1 - 4	1 - 3
Dual Blower (Optional) Min. - Max. CFM	400 - 1,200	*AIRFLOW CONTROL TECHNOLOGY™ (ACT™) is an exclusive feature built into specific Zephyr hoods which can limit the maximum blower CFM to meet local code requirements.	
Dual Blower (Optional) Min. - Max. Sones	3.5 - 9		



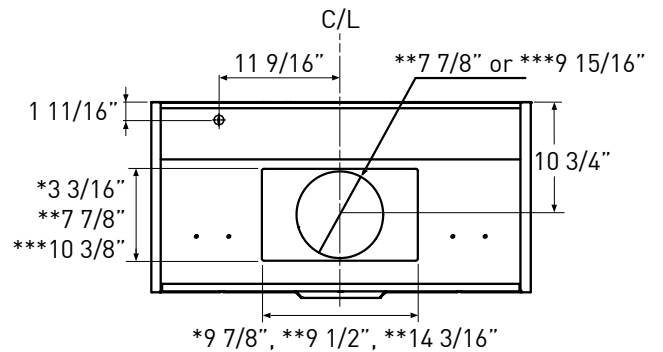
Optional Wireless Remote Control



TOP



SIDE



BACK

* Single Blower Rect. Ducting Dimension
** Single Blower Round Ducting Dimension
*** Dual Blower Dimension

MODEL

Stainless Steel	AK7500BS	AK7536BS	AK7542BS	AK7548BS
Size	30"	36"	42"	48"

PERFORMANCE

Included Single Blower	200-650 CFM, 1-6 sones	200-650 CFM, 1-6 sones	200-650 CFM, 1-6 sones	200-650 CFM, 1-6 sones
ACT 390*	200-390 CFM, 1-4 sones	200-390 CFM, 1-4 sones	200-390 CFM, 1-4 sones	200-390 CFM, 1-4 sones
ACT 290*	200-290 CFM, 1-3 sones	200-290 CFM, 1-3 sones	200-290 CFM, 1-3 sones	200-290 CFM, 1-3 sones
Optional Dual Blower	400-1,200 CFM, 3.5-9 sones	400-1,200 CFM, 3.5-9 sones	400-1,200 CFM, 3.5-9 sones	400-1,200 CFM, 3.5-9 sones

FEATURES

ACT™ Technology	Yes	Yes	Yes	Yes
Controls	Electronic Touch	Electronic Touch	Electronic Touch	Electronic Touch
Speed Levels	6**	6**	6**	6**
Auto Delay-Off	Yes	Yes	Yes	Yes
Clean Air Mode	Yes	Yes	Yes	Yes
Lighting	Halogen, 35W x2	Halogen, 35W x2	Halogen, 35W x2	Halogen, 35W x4
Dual-Level Lighting	Yes	Yes	Yes	Yes
Filters	Pro Baffle x2	Pro Baffle x3	Pro Baffle x3	Pro Baffle x4
Wireless Remote Control Option	Yes, RF	Yes, RF	Yes, RF	Yes, RF
Dual Internal Blower Option	Yes	Yes	Yes	Yes
Recirculating Option***	Yes, Single Blower Only	Yes, Single Blower Only	Yes, Single Blower Only	NA

DUCT SPECIFICATIONS

Vertical Single Internal Blower	8" Round	8" Round	8" Round	8" Round
Horizontal Single Internal Blower†	3-1/4" x 10" or 8" Round	3-1/4" x 10" or 8" Round	3-1/4" x 10" or 8" Round	3-1/4" x 10" or 8" Round
Vertical Dual Internal Blower	10" Round	10" Round	10" Round	10" Round
Horizontal Dual Internal Blower	10" Round	10" Round	10" Round	10" Round

AC POWER (Single Blower)	120V, 60Hz, Max. 5A	120V, 60Hz, Max. 5A	120V, 60Hz, Max. 5A	120V, 60Hz, Max. 5A
AC POWER (Dual Blower)	120V, 60Hz, Max. 9A	120V, 60Hz, Max. 9A	120V, 60Hz at Max. 9A	120V, 60Hz, Max. 9A

OPTIONAL ACCESSORIES

12" Duct Cover	AK0720	AK0726	AK0722	AK0728
Wireless Remote Control	14000005	14000005	14000005	14000005
Dual Internal Blower Kit	PBD-1200A	PBD-1200A	PBD-1200A	PBD-1200A
Recirculating Kit	ZRC-7000B	ZRC-7036B	ZRC-7042B	NA
Backsplash with Shelves	AK0710	AK0716	AK0712	AK0718
Make-Up Air Kit (Single Blower)	MUA008A	MUA008A	MUA008A	MUA008A
Make-Up Air Kit (Dual Blower)	MUA010A	MUA010A	MUA010A	MUA010A

MOUNTING HEIGHT RANGE††	26" - 36"	26" - 36"	26" - 36"	26" - 36"
-------------------------	-----------	-----------	-----------	-----------

WARRANTY	3 years parts, 1 year labor	3 years parts, 1 year labor	3 years parts, 1 year labor	3 years parts, 1 year labor
----------	-----------------------------	-----------------------------	-----------------------------	-----------------------------

*ACT™ only available with single internal blower.

**When ACT™ is enabled the maximum speed levels will change. ACT 390 CFM = 3 speeds and ACT 290 CFM = 2 speeds.

***Recirculating kit includes a return-air box which adds an additional 4" to the hood height. Recirculating kit is only compatible with single blower.

†If horizontally ducting via 3-1/4" x 10", the maximum airflow of 650 CFM will be reduced to 550 CFM.

††Mounting height refers to distance between top of a 36" tall cooking surface and bottom of hood.

ACT™ AIRFLOW CONTROL TECHNOLOGY™ (ACT™) is an exclusive feature built into specific Zephyr hoods which can limit the maximum blower CFM to meet local code requirements.

Specifications subject to change, check zephyronline.com for up-to-date information.
Zephyr Ventilation | 2277 Harbor Bay Parkway, Alameda, CA 94502 | 888.880.VENT
NOV15.0201

