

POWER

CYPRESS

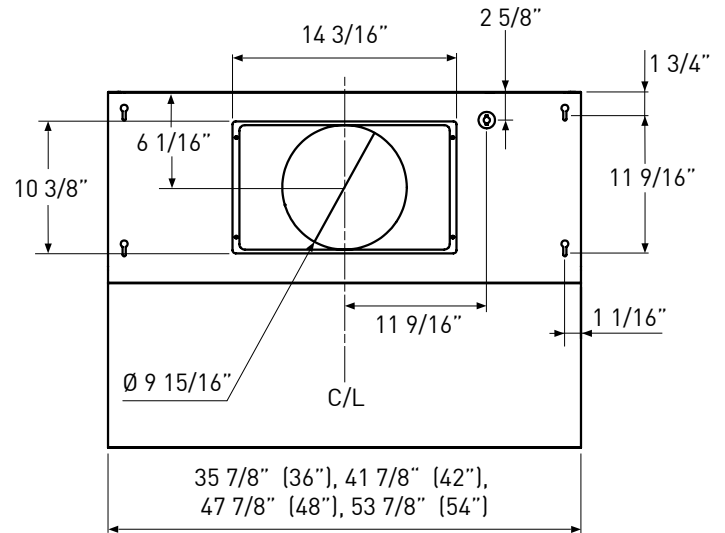
OUTDOOR
PRO-STYLE WALL

Cypress features a seamlessly contoured, fully welded and polished exterior, along with a corrosion resistant, 304 -grade stainless steel canopy that houses high-performance professional stainless steel baffle filters that enhance airflow and are dishwasher safe.

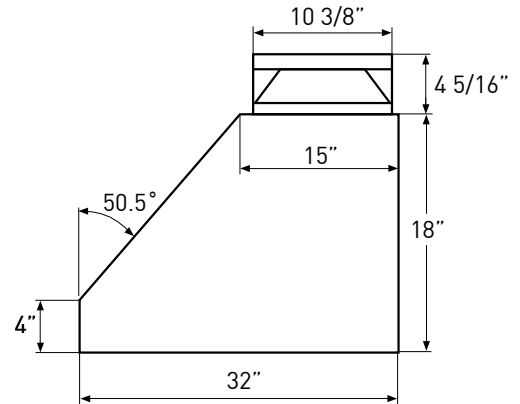
Three-speed metallic knob controls withstand extreme heat and moisture. Now with dual-level halogen lighting and an extended 32" depth for even more capture. An optional 304- grade 12" duct cover is also available.

ZEPHYR

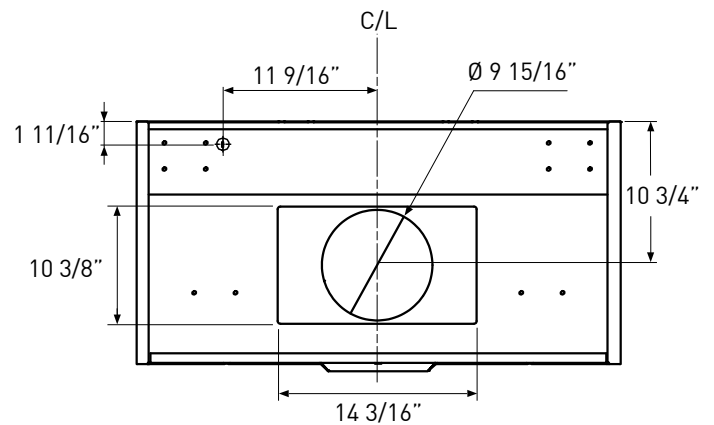
ZEPHYRONLINE.COM



TOP



SIDE



BACK

MODEL	AK7836BS	AK7842BS	AK7848BS	AK7854BS
Stainless Steel				
Size	36"	42"	48"	54"
Net Width	35-7/8"	41-7/8"	47-7/8"	53-7/8"
Blower CFM (Min. - Max.)	450 - 1,200	450 - 1,200	450 - 1,200	450 - 1,200
Sones (Min. - Max.)	3.5 - 9	3.5 - 9	3.5 - 9	3.5 - 9
FEATURES				
Controls	Metallic Knob	Metallic Knob	Metallic Knob	Metallic Knob
Speed Levels	3	3	3	3
Lighting	Halogen, 35W x2	Halogen, 35W x2	Halogen, 35W x4	Halogen, 35W x4
Dual-Level Lighting	Yes	Yes	Yes	Yes
Filters	Pro Baffle x3	Pro Baffle x3	Pro Baffle x4	Pro Baffle x4
Recirculating Option	No	No	No	No
High Quality Stainless Steel	304S	304S	304S	304S
DUCT SPECIFICATIONS				
Vertical Internal Blower	10" Round	10" Round	10" Round	10" Round
Horizontal Internal Blower	10" Round	10" Round	10" Round	10" Round
AC POWER	120V, 60Hz at Max. 9A	120V, 60Hz at Max. 9A	120V, 60Hz at Max. 9A	120V, 60Hz at Max. 9A
OPTIONAL ACCESSORIES				
12" Duct Cover	AK0736BS	AK0742BS	AK0748BS	AK0754BS
MOUNTING HEIGHT RANGE*	30" - 36"	30" - 36"	30" - 36"	30" - 36"
WARRANTY	3 years parts, 1 year labor	3 years parts, 1 year labor	3 years parts, 1 year labor	3 years parts, 1 year labor

*Mounting height refers to distance between top of a 36" tall cooking surface and bottom of hood.

BACK DRAFT DAMPER

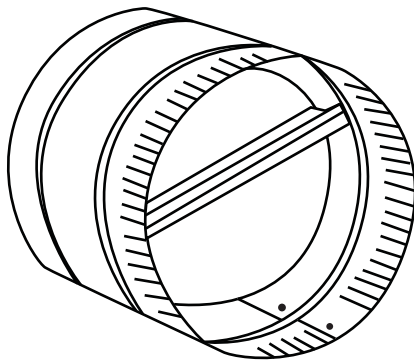
ROUND DAMPER TO PREVENT RETURN-AIR FROM ENTERING KITCHEN

MODEL	DUCT		DIMENSIONS			
	SIZE	A	B	C	D	E
AK00029	6"	6"	6"	2-7/8"	2-7/8"	1/4"
AK00049	7"	7"	7"	3-1/4"	3-1/4"	1/2"
AK00069	8"	8"	8"	3-5/8"	3-5/8"	3/4"

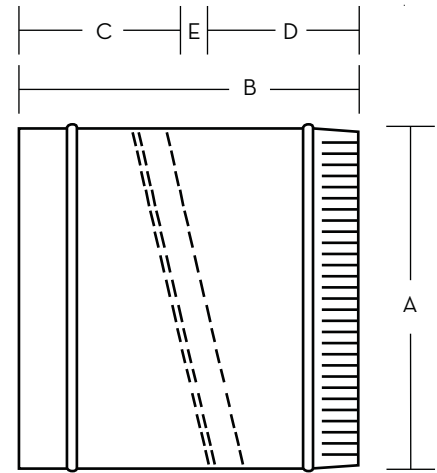


FEATURES

- Vertical Duct Application
- Galvanized (G-90)
- Foam Seal for Damper Closure
- NOT FOR USE WITH DRYER VENT APPLICATIONS



3/4 View

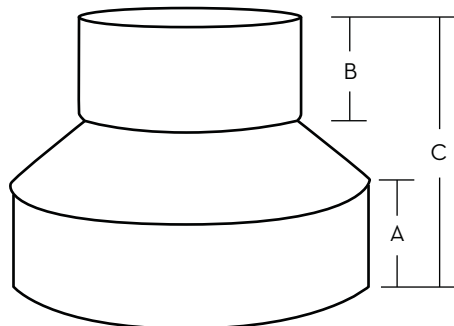


Side View

TAPERED REDUCER

REDUCES ROUND DUCT SIZE

MODEL	DUCT		DIMENSIONS	
	SIZE	A	B	C
AK00039	7x6"	1-3/4"	1-3/4"	5"
AK00037	8x6"	1-3/4"	1-3/4"	4-3/4"
AK00035	8x7"	1-3/4"	1-3/4"	4-1/4"
AK00040	10x8"	1-3/4"	1-3/4"	5"



Side View



FEATURES

- Tapered for Best Air Flow
- Galvanized (G-90)

ROOF CAP EXHAUST, J-VENT

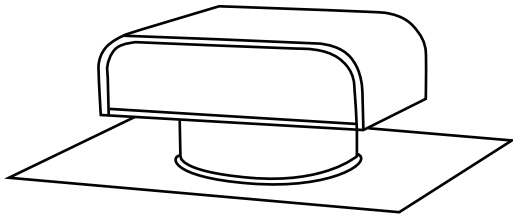
EXHAUST CAP FOR ROUND DUCTING, INSTALLS ON ROOF

MODEL	DUCT SIZE			DIMENSIONS						
	A	B	C	D	E	F	G	H	I	
AK00046	6"	12"	6"	3"	15"	10"	5-1/8"	3-1/4"	1-7/8"	3-1/4"
AK00047	7"	12"	7"	2-1/2"	15"	11"	5-1/8"	3-1/4"	1-7/8"	3-1/4"
AK00048	8"	15"	8"	3-1/2"	15"	12"	5-1/2"	3-1/2"	2"	3-1/4"
AK00050	10"	15"	10"	2-1/2"	20"	16"	6-1/2"	4-1/4"	2-1/4"	3-1/2"

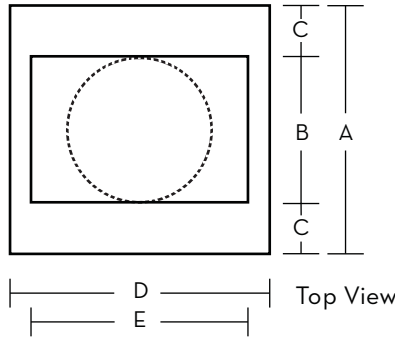


FEATURES

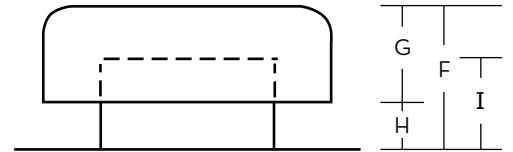
- Low Profile
- Install of Any Roof Pitch
- Mesh Bird Screen
- Galvanized (G-90)



3/4 View



Top View



Side View

WALL CAP EXHAUST, 3-1/4"x10" RECTANGULAR

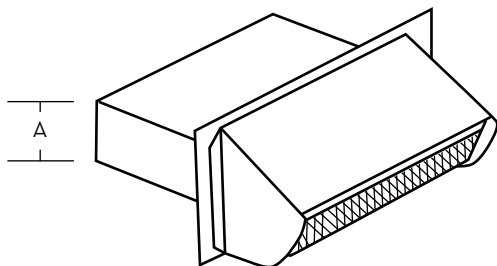
EXHAUST CAP FOR RECTANGULAR DUCTING, PREVENTS RETURN-AIR, INSTALLS ON EXTERIOR WALL

MODEL	DIMENSIONS						
	A	B	C	D	E	F	G
AK00041	3-1/4"	10"	5-5/8"	11"	5"	12-3/4"	9-1/2"

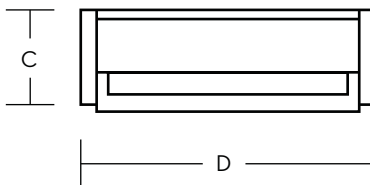


FEATURES

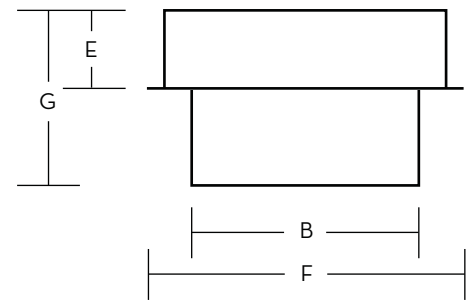
- Aluminum Damper Included
- Mesh Bird Screen
- Rain Proof
- Galvanized (G-90)
- NOT FOR USE WITH INLET VENT APPLICATIONS



3/4 View



Front View



Top View

WALL CAP EXHAUST, ROUND

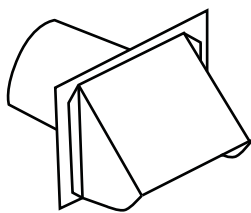
EXHAUST CAP FOR ROUND DUCTING, PREVENTS RETURN-AIR, INSTALLS ON EXTERIOR WALL

MODEL	DUCT			DIMENSIONS					
	SIZE	A	B	C	D	E	F	G	H
AK00042	6"	6"	7-5/8"	8"	1"	8-1/2"	9"	8-5/8"	7-1/8"
AK00043	7"	7"	8-5/8"	9-5/8"	1"	8-1/2"	10-3/4"	9-5/8"	8-1/8"
AK00044	8"	8"	10"	11-5/8"	1-3/4"	8-1/2"	10-3/8"	11-1/8"	10-3/8"
AK00045	10"	10"	12"	13"	1-3/4"	8-1/2"	11-1/2"	13-5/8"	13-7/8"

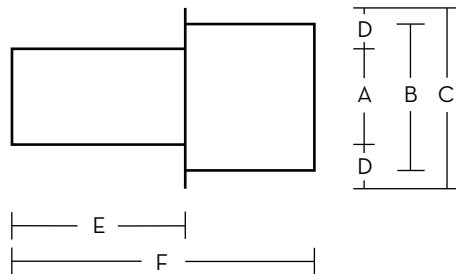


FEATURES

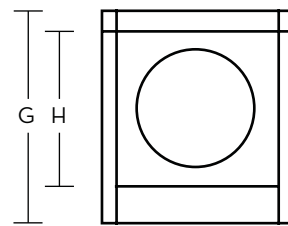
- Aluminum Damper Included
- Rain Proof
- Mesh Bird Screen
- Galvanized (G-90)



3/4 View



Top View



Back View

WALL CAP INLET, ROUND

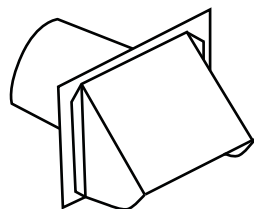
FRESH AIR INLET FOR ROUND DUCTING, COMMONLY USED WITH MAKE-UP AIR KITS

MODEL	DUCT			DIMENSIONS					
	SIZE	A	B	C	D	E	F	G	H
AK00030	6"	6"	7-5/8"	8"	1"	8-1/2"	9"	8-5/8"	7-1/8"
AK00031	7"	7"	8-5/8"	9-5/8"	1"	8-1/2"	10-3/4"	9-5/8"	8-1/8"
AK00032	8"	8"	10"	11-5/8"	1-3/4"	8-1/2"	10-3/8"	11-1/8"	10-3/8"

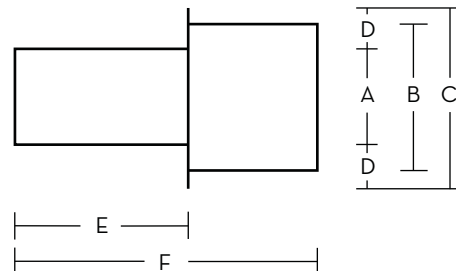


FEATURES

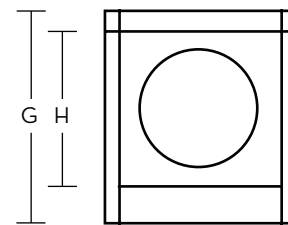
- Mesh Bird Screen
- Galvanized (G-90)
- Rain Proof



3/4 View



Top View



Back View