

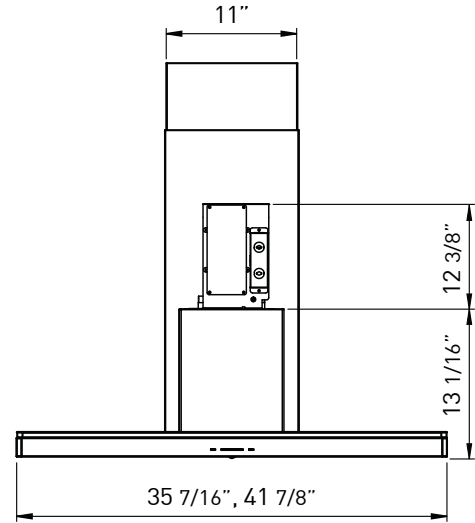
Boasting an elegant slice of sleek stainless steel married with the subtle glamor of ambient lighting in Cloud White, Deep Blue and Amber, the Lucé is the (gorgeous) future of range hoods, here today. Featuring ACT™ technol-

ogy, BriteStrip™ LED lighting, ICON Touch® Controls and a versatile Recirculating Option. Includes an enhanced Quick-Lock installation system with magnetic duct covers.

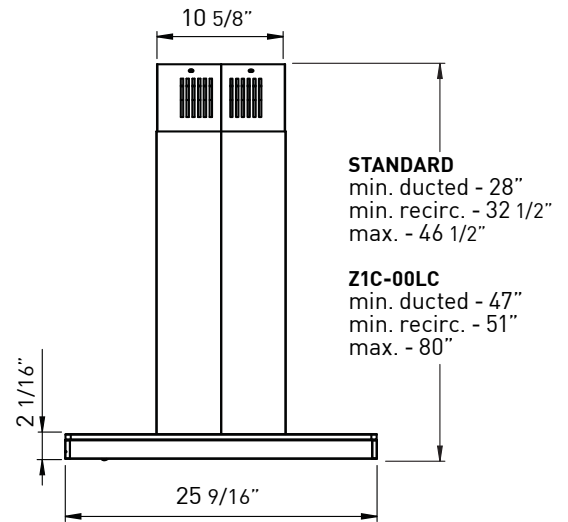
ACT™

| Min. - Max. CFM | INTERNAL BLOWER STANDARD | INTERNAL BLOWER with ACT™ AIRFLOW CONTROL TECHNOLOGY™* | |
|-------------------|--------------------------|--|-----------|
| | 200 - 600 | 200 - 390 | 200 - 290 |
| Min. - Max. Sones | 1 - 6 | 1 - 4 | 1 - 3 |

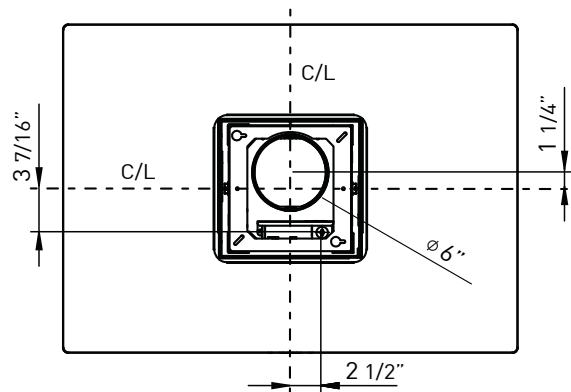
*AIRFLOW CONTROL TECHNOLOGY™ (ACT™) is an exclusive feature built into specific Zephyr hoods which can limit the maximum blower CFM to meet local code requirements.



FRONT



SIDE



TOP

| MODEL | | |
|------------------------------------|-------------------------------------|-------------------------------------|
| Stainless Steel w/ Accent Lighting | ZLC-M90BS | ZLC-E42BS |
| Size | | |
| Blower CFM (Min. - Max.) | 200 - 600 | 200 - 600 |
| Sones (Min. - Max.) | 1 - 6 | 1 - 6 |
| ACT 390 CFM (Min. - Max.) | 200 - 390 | 200 - 390 |
| ACT 390 Sones (Min. - Max.) | 1 - 4 | 1 - 4 |
| ACT 290 CFM (Min. - Max.) | 200 - 290 | 200 - 290 |
| ACT 290 Sones (Min. - Max.) | 1 - 3 | 1 - 3 |
| FEATURES | | |
| ACT™ Technology | Yes | Yes |
| Controls | ICON Touch® | ICON Touch® |
| Speed Levels | 5* | 5* |
| Auto Delay-Off | Yes | Yes |
| Lighting | BriteStrip™ LED x2 | BriteStrip™ LED x2 |
| Dual-Level Lighting | Yes | Yes |
| LED Accent Light | Yes; Cloud White, Deep Blue & Amber | Yes; Cloud White, Deep Blue & Amber |
| Filters | Aluminum Mesh x2 | Aluminum Mesh x2 |
| Recirculating Option | Yes | Yes |
| Quick-Lock Installation | Yes | Yes |
| Magnetic Duct Covers | Yes | Yes |
| Extension Duct Cover Option | Yes, Up to 12' Ceiling | Yes, Up to 12' Ceiling |
| DUCT SPECIFICATIONS | | |
| Vertical Internal Blower | 6" Round | 6" Round |
| Horizontal Internal Blower | NA | NA |
| AC POWER | 120V, 60Hz at Max. 3A | 120V, 60Hz at Max. 3A |
| OPTIONAL ACCESSORIES | | |
| Recirculating Kit | ZRC-00LC | ZRC-00LC |
| Extension Duct Cover | Z1C-00LC | Z1C-00LC |
| Make-Up Air Kit | MUA006A | MUA006A |
| MOUNTING HEIGHT RANGE** | 26" - 34" | 26" - 34" |
| WARRANTY | 3 years parts, 1 year labor | 3 years parts, 1 year labor |

| CEILING HEIGHT | | 8' | 8.5' | 9' | 9.5' | 10' | 10.5' | 11' | 12' |
|----------------------|--------------------------|-----------|-----------|-------------|-------------|-----------|-----------|-----------|-----------|
| STANDARD DUCT COVER | Ducted Mounting Height** | 26" - 33" | 26" - 34" | 26" - 34" | 28" - 34" | 34" - 34" | NA | NA | NA |
| | Recirc Mounting Height** | 26" - 29" | 26" - 34" | 26" - 34" | 28" - 34" | 34" - 34" | NA | NA | NA |
| EXTENSION DUCT COVER | Ducted Mounting Height** | NA | NA | 26" - 30.5" | 26" - 34" | 26" - 34" | 26" - 34" | 26" - 34" | 28" - 34" |
| | Recirc Mounting Height** | NA | NA | 26" - 26.5" | 26" - 32.5" | 26" - 34" | 26" - 34" | 26" - 34" | 28" - 34" |

*When ACT™ is enabled the maximum speed levels will change. ACT 390 CFM = 3 speeds and ACT 290 CFM = 2 speeds.
 **Mounting height refers to distance between top of a 36" tall cooking surface and bottom of hood.

ACT™ AIRFLOW CONTROL TECHNOLOGY™ (ACT™) is an exclusive feature built into specific Zephyr hoods which can limit the maximum blower CFM to meet local code requirements.

Specifications subject to change, check zephyronline.com for up-to-date information.
 Zephyr Ventilation | 2277 Harbor Bay Parkway, Alameda, CA 94502 | 888.880.VENT

JAN17.0101

