

MILANO wall

One of the original curved-glass canopy range hoods, Milano has become an icon by virtue of its timeless design. Now upgraded with Zephyr's DCBL Suppression System™, Milano takes range hood detail and performance to higher grounds. Outfitted with three Bloom™ HD LED light bulbs and electronic LCD controls, Milano is as relevant today as it was the day we introduced it in 2001. Canopies available in clear and smoke-gray glass, and stainless steel.

MODEL	SIZE	INTERNAL BLOWER		IN-LINE/EXTERNAL	
		Min.-Max. CFM	Min.-Max. Sones	Min.-Max. CFM	Min.-Max. Sones
ZMI-M90BG	36"	250 - 715	0.8 - 5.8	NA	NA
ZMI-M90BS	36"	250 - 715	0.8 - 5.8	NA	NA

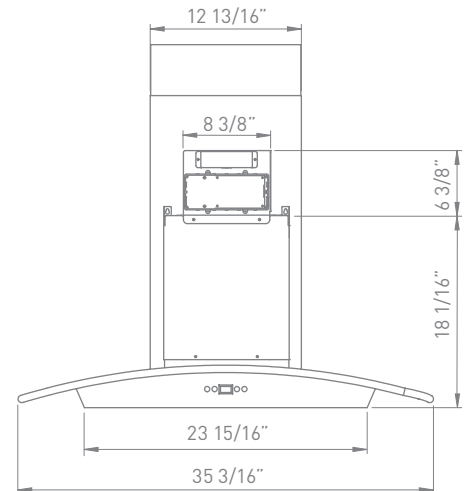


All Next Generation Europa range hoods are equipped with DCBL Suppression™ technology, including Bloom™ HD LED light bulbs. To learn more, visit us at zephyronline.com.

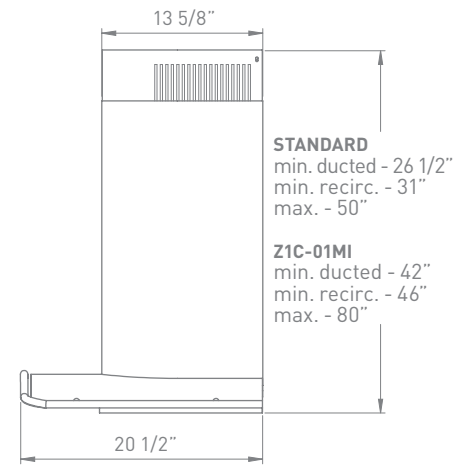


MILANO WALL | NEXT GENERATION EUROPA

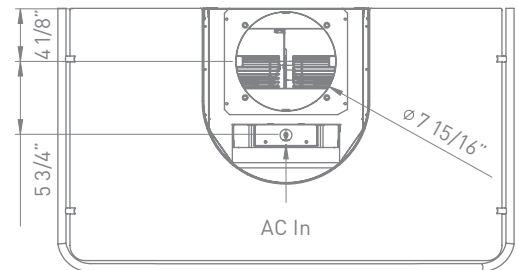
SIZE	
ZMI-M90BG	36"
ZMI-M90BS	36"
PERFORMANCE	
INTERNAL, MIN.-MAX. BLOWER CFM	250 - 715
INTERNAL, MIN.-MAX. SONES	0.8 - 5.8
COLOR	
STAINLESS STEEL	
ZMI-M90BG	SS w/Glass Canopy
ZMI-M90BS	SS
FEATURES	
CONTROLS	Electronic LCD
SPEED LEVELS	5 + Burst
AUTO DELAY-OFF	Yes
LIGHTING	Bloom LED 3W x 3
DUAL LEVEL LIGHTING	Yes
FILTERS	Aluminum Mesh
RECIRCULATING OPTION	Yes
EXTENSION DUCT COVER OPTION	Yes, Up to 12' Ceiling
DUCT SPECIFICATIONS	
VERTICAL - INTERNAL	8"
HORIZONTAL - INTERNAL	NA
AC INPUT	
	120V - 60Hz
AC POWER	
	Max. 212W at 3.5A
OPTIONAL ACCESSORIES	
RECIRCULATING KIT	ZRC-00MI
EXTENSION DUCT COVER	Z1C-01MI
SMOKE-GRAY GLASS CANOPY	ZMG-02GY
MOUNTING HEIGHT*	
	26" - 34"



FRONT



SIDE



TOP

CEILING HEIGHT		8'	8.5'	9'	9.5'	10'	10.5'	11'	12'
STANDARD DUCT COVER	Ducted Mounting Height*	26"-33.5"	26"-34"	26"-34"	28"-34"	34"-34"	NA	NA	NA
	Recirc. Mounting Height*	26"-29"	26"-34"	26"-34"	28"-34"	34"-34"	NA	NA	NA
EXTENSION DUCT COVER	Ducted Mounting Height*	NA	NA	26"-30"	26"-34"	26"-34"	26"-34"	26"-34"	28"-34"
	Recirc. Mounting Height*	NA	NA	26"-26"	26"-32"	26"-34"	26"-34"	26"-34"	28"-34"

*Mounting height refers to distance between top of a 36" tall cooking surface and bottom of hood.