

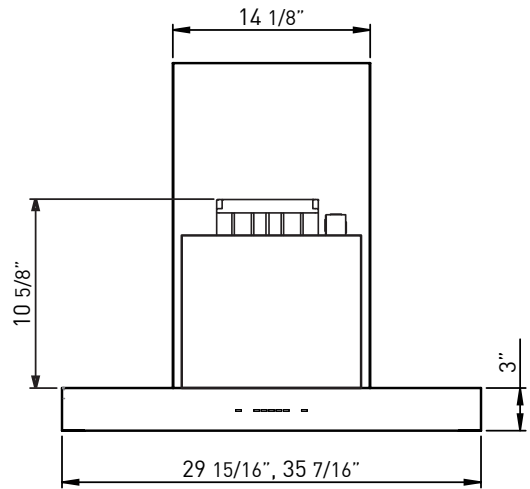
Roma's sleek low-profile 3" design is ideal for the design-savvy renovator, the high-rise developer who strives for quality or the builder who buys in mass but won't settle for mediocrity. Roma's contemporary design is complemented

with ICON Touch® controls and a 600-CFM blower that operates at an ultra quiet single sone. Includes BriteStrip™ LED lighting and ACT™ technology.

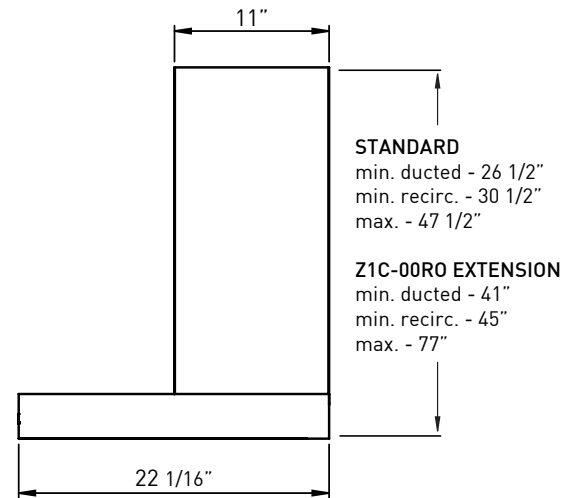
ACT™

| Min. - Max. CFM   | INTERNAL BLOWER STANDARD | INTERNAL BLOWER with ACT™ AIRFLOW CONTROL TECHNOLOGY™* |           |
|-------------------|--------------------------|--|-----------|
|                   | 200 - 600                | 200 - 390  | 200 - 290 |
| Min. - Max. Sones | 1 - 6                    | 1 - 4  | 1 - 3     |

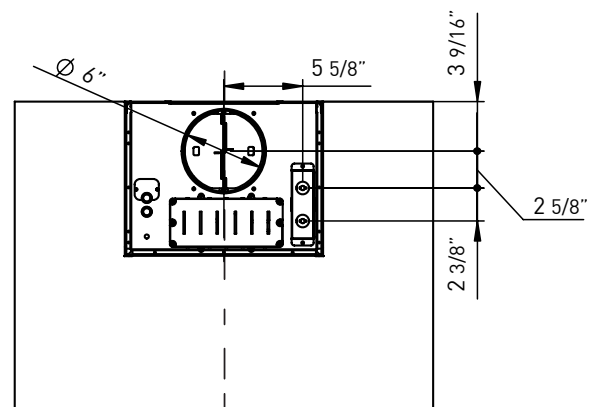
\*AIRFLOW CONTROL TECHNOLOGY™ (ACT™) is an exclusive feature built into specific Zephyr hoods which can limit the maximum blower CFM to meet local code requirements.



FRONT



SIDE



CL

TOP

| MODEL                          | ZRO-E30DS                   | ZRO-M90DS                   |
|--------------------------------|-----------------------------|-----------------------------|
| Stainless Steel                |                             |                             |
| <b>Size</b>                    | 30"                         | 36"                         |
| Blower CFM (Min. - Max.)       | 200 - 600                   | 200 - 600                   |
| Sones (Min. - Max.)            | 1 - 6                       | 1 - 6                       |
| ACT 390 CFM (Min. - Max.)      | 200 - 390                   | 200 - 390                   |
| ACT 390 Sones (Min. - Max.)    | 1 - 4                       | 1 - 4                       |
| ACT 290 CFM (Min. - Max.)      | 200 - 290                   | 200 - 290                   |
| ACT 290 Sones (Min. - Max.)    | 1 - 3                       | 1 - 3                       |
| <b>FEATURES</b>                |                             |                             |
| ACT™ Technology                | Yes                         | Yes                         |
| Controls                       | ICON Touch®                 | ICON Touch®                 |
| Speed Levels                   | 5*                          | 5*                          |
| Auto Delay-Off                 | Yes                         | Yes                         |
| Lighting                       | BriteStrip™ LED, x1         | BriteStrip™ LED, x1         |
| Dual-Level Lighting            | Yes                         | Yes                         |
| Filters                        | Aluminum Mesh x2            | Aluminum Mesh x2            |
| Recirculating Option           | Yes                         | Yes                         |
| Extension Duct Cover Option    | Yes, Up to 12' Ceiling      | Yes, Up to 12' Ceiling      |
| <b>DUCT SPECIFICATIONS</b>     |                             |                             |
| Vertical Internal Blower       | 6" Round                    | 6" Round                    |
| Horizontal Internal Blower     | NA                          | NA                          |
| AC POWER                       | 120V, 60Hz at Max. 4A       | 120V, 60Hz at Max. 4A       |
| <b>OPTIONAL ACCESSORIES</b>    |                             |                             |
| Recirculating Kit              | ZRC-01RO                    | ZRC-01RO                    |
| Extension Duct Cover           | Z1C-00RO                    | Z1C-00RO                    |
| Make-Up Air Kit                | MUA006A                     | MUA006A                     |
| <b>MOUNTING HEIGHT RANGE**</b> | 26" - 34"                   | 26" - 34"                   |
| <b>WARRANTY</b>                | 3 years parts, 1 year labor | 3 years parts, 1 year labor |

| CEILING HEIGHT       | 8'                       | 8.5'        | 9'        | 9.5'      | 10'         | 10.5'     | 11'       | 12'       |
|----------------------|--------------------------|-------------|-----------|-----------|-------------|-----------|-----------|-----------|
| STANDARD DUCT COVER  | Ducted Mounting Height** | 26" - 34"   | 26" - 34" | 26" - 34" | 30.5" - 34" | NA        | NA        | NA        |
|                      | Recirc Mounting Height** | 26" - 29.5" | 26" - 34" | 26" - 34" | 30.5" - 34" | NA        | NA        | NA        |
| EXTENSION DUCT COVER | Ducted Mounting Height** | NA          | NA        | 26" - 31" | 26" - 34"   | 26" - 34" | 26" - 34" | 26" - 34" |
|                      | Recirc Mounting Height** | NA          | NA        | 26" - 27" | 26" - 33"   | 26" - 34" | 26" - 34" | 26" - 34" |

\*When ACT™ is enabled the maximum speed levels will change. ACT 390 CFM = 3 speeds and ACT 290 CFM = 2 speeds.  
 \*\*Mounting height refers to distance between top of a 36" tall cooking surface and bottom of hood.

**ACT™** AIRFLOW CONTROL TECHNOLOGY™ (ACT™) is an exclusive feature built into specific Zephyr hoods which can limit the maximum blower CFM to meet local code requirements.

Specifications subject to change, check zephyronline.com for up-to-date information.  
 Zephyr Ventilation | 2277 Harbor Bay Parkway, Alameda, CA 94502 | 888.880.VENT

APR17.0201

