

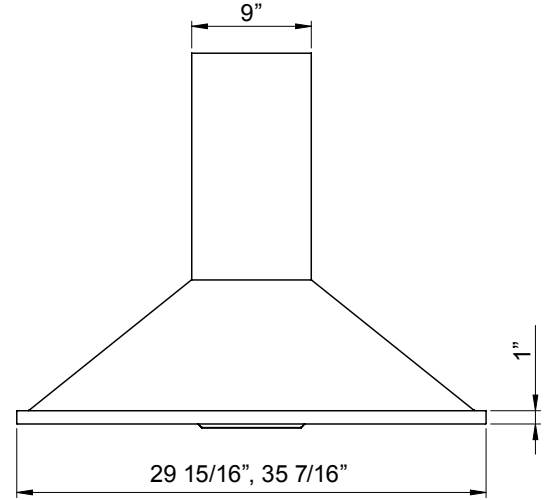
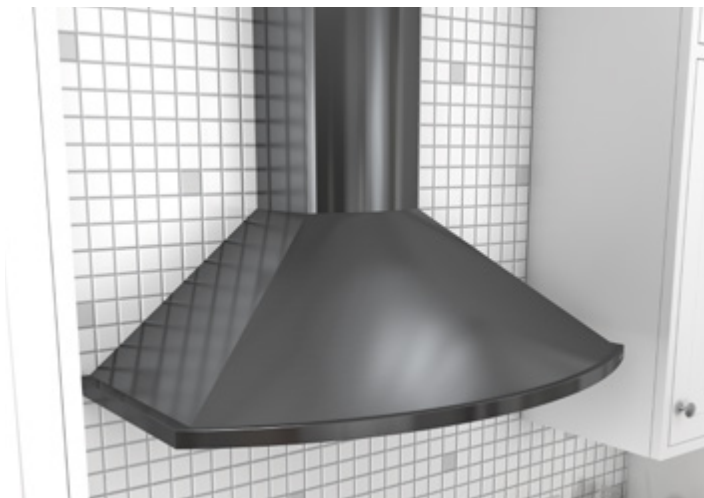
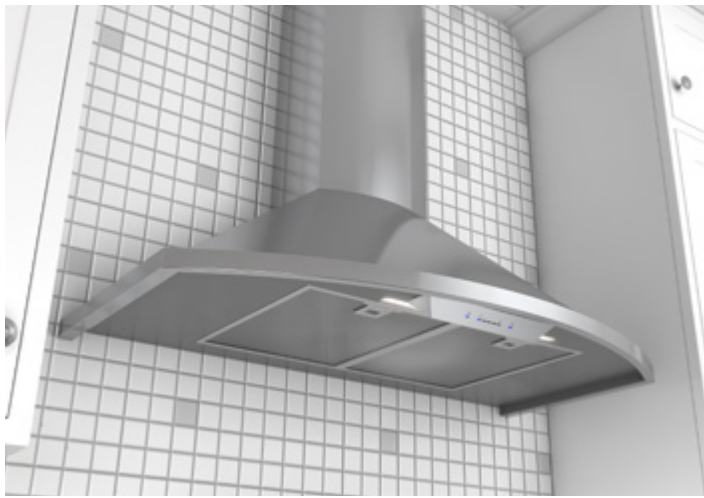
Savona's semi-circular surfaces accentuate this range hood's European design with delicate reflections of light and shadows. Available in stainless steel, powder-coated black and white and now with Zephyr's trend-setting

sleek new alternative to stainless steel, Black Stainless Steel. Savona features a robust 685-CFM blower, ICON Touch® controls with 5 speeds and our exclusive ACT™ technology.

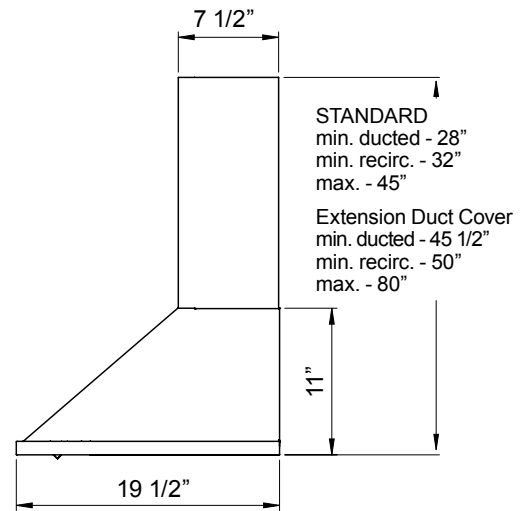
ACT™

Min. - Max. CFM	INTERNAL BLOWER STANDARD	INTERNAL BLOWER with ACT™ AIRFLOW CONTROL TECHNOLOGY™*	
		200 - 685	200 - 390
Min. - Max. Sones	1 - 6	1 - 4	1 - 3

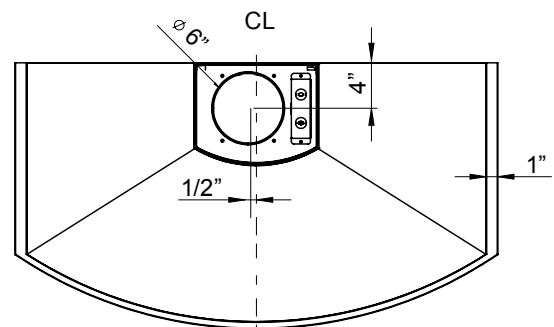
*AIRFLOW CONTROL TECHNOLOGY™ (ACT™) is an exclusive feature built into specific Zephyr hoods which can limit the maximum blower CFM to meet local code requirements.



FRONT



SIDE



TOP

MODEL		
Black	ZSA-E30DB	ZSA-M90DB
Black Stainless Steel	ZSA-E30DBS	ZSA-M90DBS
Stainless Steel	ZSA-E30DS	ZSA-M90DS
White	ZSA-E30DW	ZSA-M90DW

Size	30"	36"
Blower CFM (Min. - Max.)	200 - 685	200 - 685
Sones (Min. - Max.)	1 - 6	1 - 6
ACT 390 CFM (Min. - Max.)	200 - 390	200 - 390
ACT 390 Sones (Min. - Max.)	1 - 4	1 - 4
ACT 290 CFM (Min. - Max.)	200 - 290	200 - 290
ACT 290 Sones (Min. - Max.)	1 - 3	1 - 3

FEATURES		
ACT™ Technology	Yes	Yes
Controls	ICON Touch®	ICON Touch®
Speed Levels	5*	5*
Auto Delay-Off	Yes	Yes
Lighting	BriteStrip™ LED, x1	BriteStrip™ LED, x1
Dual-Level Lighting	Yes	Yes
Filters	Aluminum Mesh x2	Aluminum Mesh x2
Recirculating Option	Yes	Yes
Extension Duct Cover Option	Yes, Up to 12' Ceiling	Yes, Up to 12' Ceiling

DUCT SPECIFICATIONS		
Vertical Internal Blower	6" Round	6" Round
Horizontal Internal Blower	NA	NA
AC POWER	120V, 60Hz at Max. 4A	120V, 60Hz at Max. 4A

OPTIONAL ACCESSORIES		
Recirculating Kit	ZRC-00SV	ZRC-00SV
Extension Duct Cover	Z1C-01SAB (Black)	Z1C-01SAB (Black)
	Z1C-01SABS (Black SS)	Z1C-01SABS (Black SS)
	Z1C-01SA (SS)	Z1C-01SA (SS)
	Z1C-01SAW (White)	Z1C-01SAW (White)
Make-Up Air Kit	MUA008A	MUA008A
Baffle Filter Kit (2 filters)	ZOF-B001	ZOF-B001

MOUNTING HEIGHT RANGE**	26" - 34"	26" - 34"
-------------------------	-----------	-----------

WARRANTY	3 years parts, 1 year labor	3 years parts, 1 year labor
----------	-----------------------------	-----------------------------

CEILING HEIGHT		8'	8.5'	9'	9.5'	10'	10.5'	11'	12'
STANDARD DUCT COVER	Ducted Mounting Height**	26" - 33"	26" - 34"	27" - 34"	29.5" - 34"	NA	NA	NA	NA
	Recirc Mounting Height**	26" - 29"	26" - 34"	27" - 34"	29.5" - 34"	NA	NA	NA	NA
EXTENSION DUCT COVER	Ducted Mounting Height**	NA	NA	26" - 29"	26" - 34"	26" - 34"	26" - 34"	26" - 34"	27" - 34"
	Recirc Mounting Height**	NA	NA	NA	26" - 31"	26" - 34"	26" - 34"	26" - 34"	27" - 34"

*When ACT™ is enabled the maximum speed levels will change. ACT 390 CFM = 4 speeds and ACT 290 CFM = 3 speeds.
 **Mounting height refers to distance between top of a 36" tall cooking surface and bottom of hood.

ACT™ AIRFLOW CONTROL TECHNOLOGY™ (ACT™) is an exclusive feature built into specific Zephyr hoods which can limit the maximum blower CFM to meet local code requirements.

